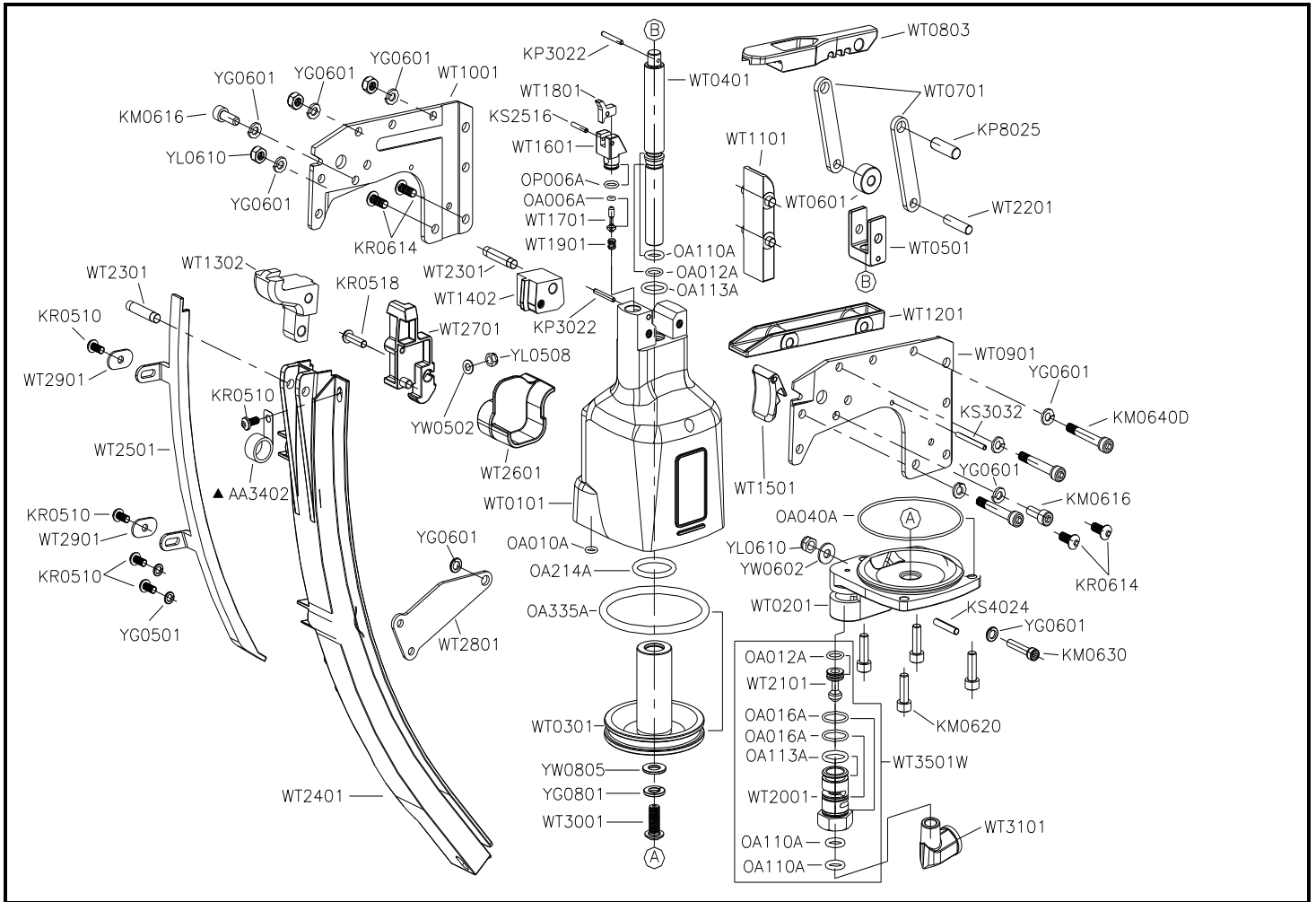


# M-65N01 (JT/65N-01)

f



| Part_No  | Description     | Spec       | Q'ty | Part_No | Description                | Spec | Q'ty | Part_No | Description      | Spec   | Q'ty |
|----------|-----------------|------------|------|---------|----------------------------|------|------|---------|------------------|--------|------|
| ▲ AA3402 | PUSHER SPRING   |            | 1    | OP006A  | O-RING                     | P6   | 1    | WT2201  | PIVOT            |        | 1    |
| KM0616   | HEX.SOC.HD.BOLT | M6×1.0-16L | 2    | WT0101  | BODY                       |      | 1    | WT2301  | PIVOT            |        | 2    |
| KM0620   | HEX.SOC.HD.BOLT | M6×1.0-20L | 4    | WT0201  | END CAP                    |      | 1    | WT2401  | NAIL SEAT        |        | 1    |
| KM0630   | HEX.SOC.HD.BOLT | M6×1.0-30L | 1    | WT0301  | MAIN PISTON                |      | 1    | WT2501  | MAGAZINE COVER   |        | 1    |
| KM0640D  | HEX.SOC.HD.BOLT | M6×1.0-40L | 3    | WT0401  | PISTON ROD                 |      | 1    | WT2601  | PUSHER BRACKET   |        | 1    |
| KP3022   | PARALLEL PIN    | ∅ 3×22L    | 2    | WT0501  | YOKE-PISTON ROD            |      | 1    | WT2701  | PUSHER           |        | 1    |
| KP8025   | PARALLEL PIN    | ∅ 8×25L    | 1    | WT0601  | PIVOT                      |      | 1    | WT2801  | SUPPORT          |        | 1    |
| KR0510   | BUTTON HD.BOLT  | M5×0.8-10L | 5    | WT0701  | LINK                       |      | 2    | WT2901  | SPACER           |        | 2    |
| KR0518   | BUTTON HD.BOLT  | M5×0.8-18L | 1    | WT0803  | DRIVER BLADE               |      | 1    | WT3001  | BUTTON HD.BOLT   |        | 1    |
| KR0614   | BUTTON HD.BOLT  | M6×1.0-14L | 4    | WT0901  | SIDE PLATE(L.H.)           |      | 1    | WT3101  | ELBOW            |        | 1    |
| KS2516   | SPRING PIN      | ∅ 2.5-16L  | 1    | WT1001  | SIDE PLATE(R.H.)           |      | 1    | WT3501W | MAIN VALVE ASSY. |        | 1    |
| KS3032   | SPRING PIN      | ∅ 3-32L    | 1    | WT1101  | TOP PLATE CASTING-MACHINED |      | 1    | YG0501  | SPRING WASHER    | ∅ 5    | 2    |
| KS4024   | SPRING PIN      | ∅ 4-24L    | 1    | WT1201  | FRONT PLATE                |      | 1    | YG0601  | SPRING WASHER    | ∅ 6    | 10   |
| OA006A   | O-RING          | ARP568-006 | 1    | WT1302  | ANVIL                      |      | 1    | YG0801  | SPRING WASHER    | ∅ 8    | 1    |
| OA010A   | O-RING          | ARP568-010 | 1    | WT1402  | BLADE GUIDE                |      | 1    | YL0508  | LOCK NUT         | M5×0.8 | 1    |
| OA012A   | O-RING          | ARP568-012 | 2    | WT1501  | TRIGGER                    |      | 1    | YL0610  | LOCK NUT         | M6×1.0 | 4    |
| OA016A   | O-RING          | ARP568-016 | 2    | WT1601  | PILOT VALVE BODY           |      | 1    | YW0502  | FLAT WASHER      | ∅ 5    | 1    |
| OA040A   | O-RING          | ARP568-040 | 1    | WT1701  | VALVE STEM                 |      | 1    | YW0602  | FLAT WASHER      | ∅ 6    | 1    |
| OA110A   | O-RING          | ARP568-110 | 3    | WT1801  | VALVE LEVER                |      | 1    | YW0805  | FLAT WASHER      | ∅ 8    | 1    |
| OA113A   | O-RING          | ARP568-113 | 2    | WT1901  | COMPRESSION SPRING         |      | 1    |         |                  |        |      |
| OA214A   | O-RING          | ARP568-214 | 1    | WT2001  | MAIN VALVE BODY            |      | 1    |         |                  |        |      |
| OA335A   | O-RING          | ARP568-335 | 1    | WT2101  | VALVE PISTON               |      | 1    |         |                  |        |      |

★☆ If you need to order parts, please mark both Parts No. and Description. ☆★