

**Oakio Plastic Wood Building
Materials Co.,Ltd.**

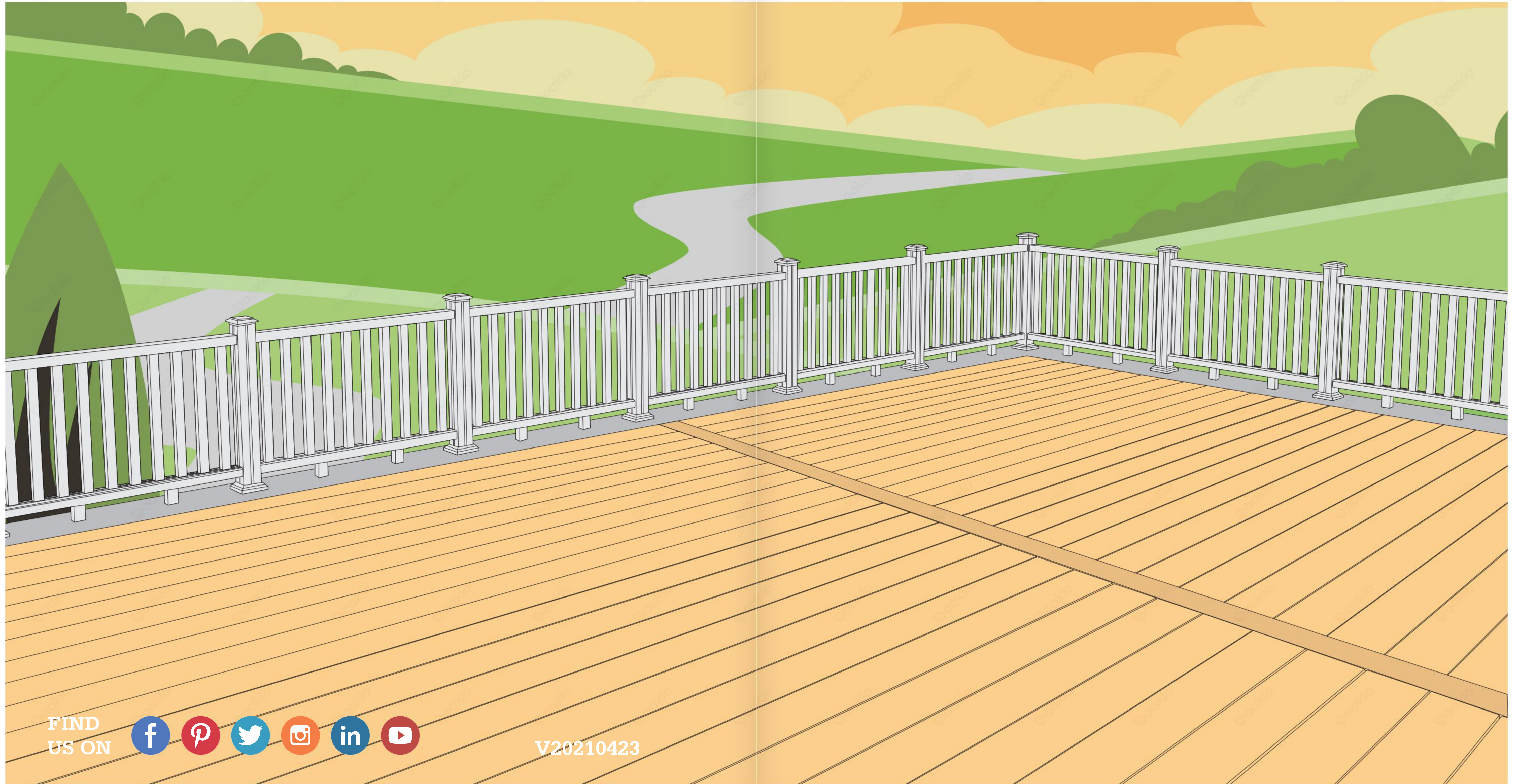
36th floor, Building 3, Huamao Building, No.11
Wenchang 1st Road, Huizhou, Guangdong, China
Tel: +86 (752) 2222-845
Web:www.oakio.com
Email:info@oakio.com



V20210423

WPC Decking

Installation Guide



FIND
US ON



V20210423

Read All Sections Before You Install

To get latest information, please visit our website: www.Oakio.com.

These installation guidelines will direct you through the process of installing Oakio products. Most installers will find this process similar to the installation of a wood deck. However, there may be areas that differ from what you are used to.

These installation methods are recommended by Oakio, but they may not cover every installation scenario you may encounter. Since each installation is unique in its performance requirements, the ultimate installation method used is the sole responsibility of the installer. Oakio recommends that all designs be reviewed by a licensed architect, engineer or local building official before installation. Make sure your plans meet local building codes before you begin the installation.

Extreme Heat Warning

Be aware of excessive heat on the surface of Oakio products from external sources such as but not limited to fire or reflection of sunlight from energy efficient window products. Low-impassivity (Low-E) glass can potentially harm Oakio products. Low-E glass is designed to prevent passive heat gain within a structure and can cause unusual heat build-up on exterior surfaces. This extreme elevation of surface temperatures, which exceeds that of normal exposure, can possibly cause Oakio products to melt, sag, warp, discolor, increase expansion/contraction, and accelerate weathering. Current or potential Oakio customers that have concerns about possible damage by Low-E glass should contact the manufacturer of the product which contains Low-E glass for a solution to reduce or eliminate the effects of reflected sunlight.

Environment

You need a clean, smooth, flat and strong surface to install Oakio products.

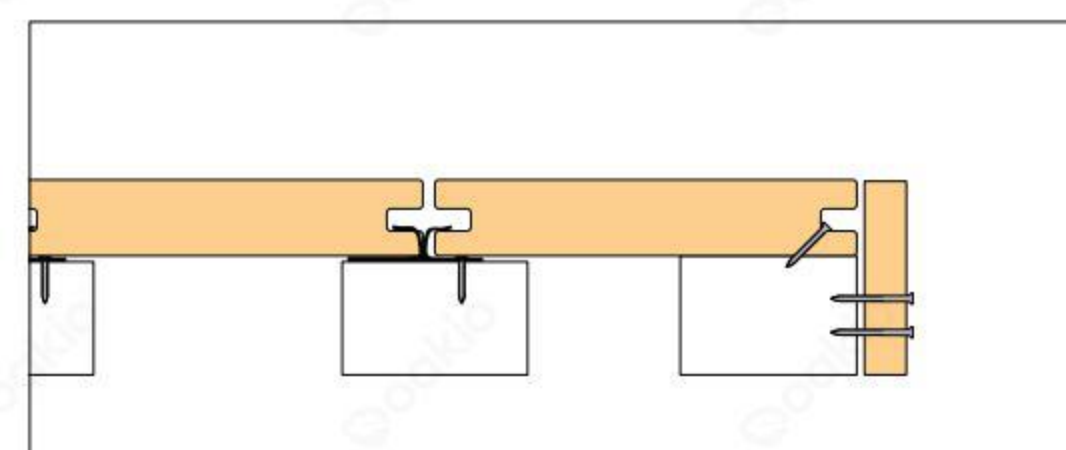
It is important during construction, the deck's surface stay clear from excessive build-up of dirt, sand, and dust from tile, concrete, landscape blocks, or any other masonry products. If these materials are not removed immediately, the deck surface will become difficult to clean and foot traffic can potentially damage the deck's surface finish.

Expansion and Contraction

Oakio decking planks will experience expansion and contraction with changes in temperature. Expansion and contraction are most significant where extreme temperature changes occur. Changes in length are most significant during the installation process, and should be taken into account if working in extreme temperatures. A good example would be cutting your planks during a hot afternoon, letting them sit outside overnight in the cool air and then installing them the next morning, and you will notice a certain amount of contraction. The best way to minimize this problem is to fasten your planks after cutting as soon as possible.

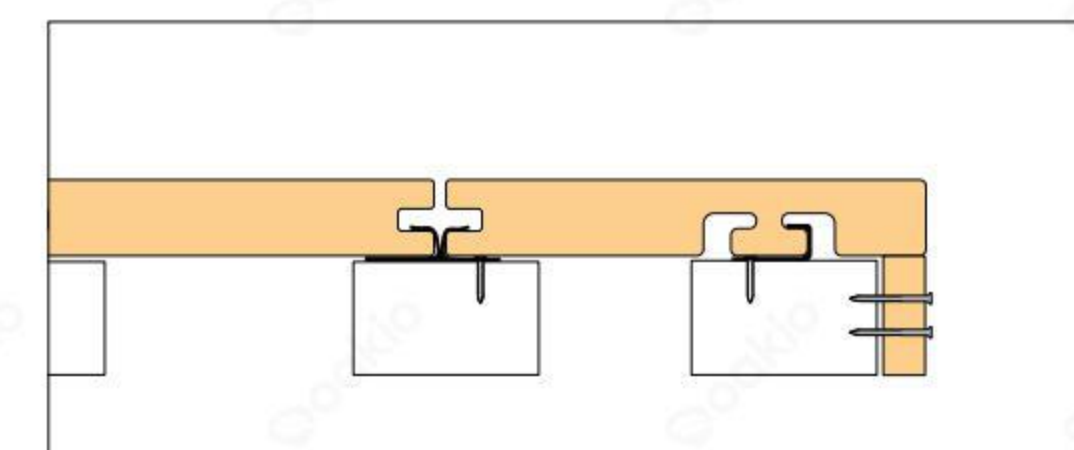
Fascia Installation Recommendations

Oakio Fascia utilized around the perimeter of a deck must be gapped with the same requirements as Oakio decking to allow for air flow and expansion/contraction of the fascia.



Install Fascia Beside Decking Edges

The gap between the upper screw and rim joist is 25mm plus thickness of decking. The gap between the under screw and rim joist is 25mm. If the gap between the upper screw and the under screw is wider than 50mm, add a certain number of screws in the middle with 25mm intervals.



Install Fascia Under Decking Edges

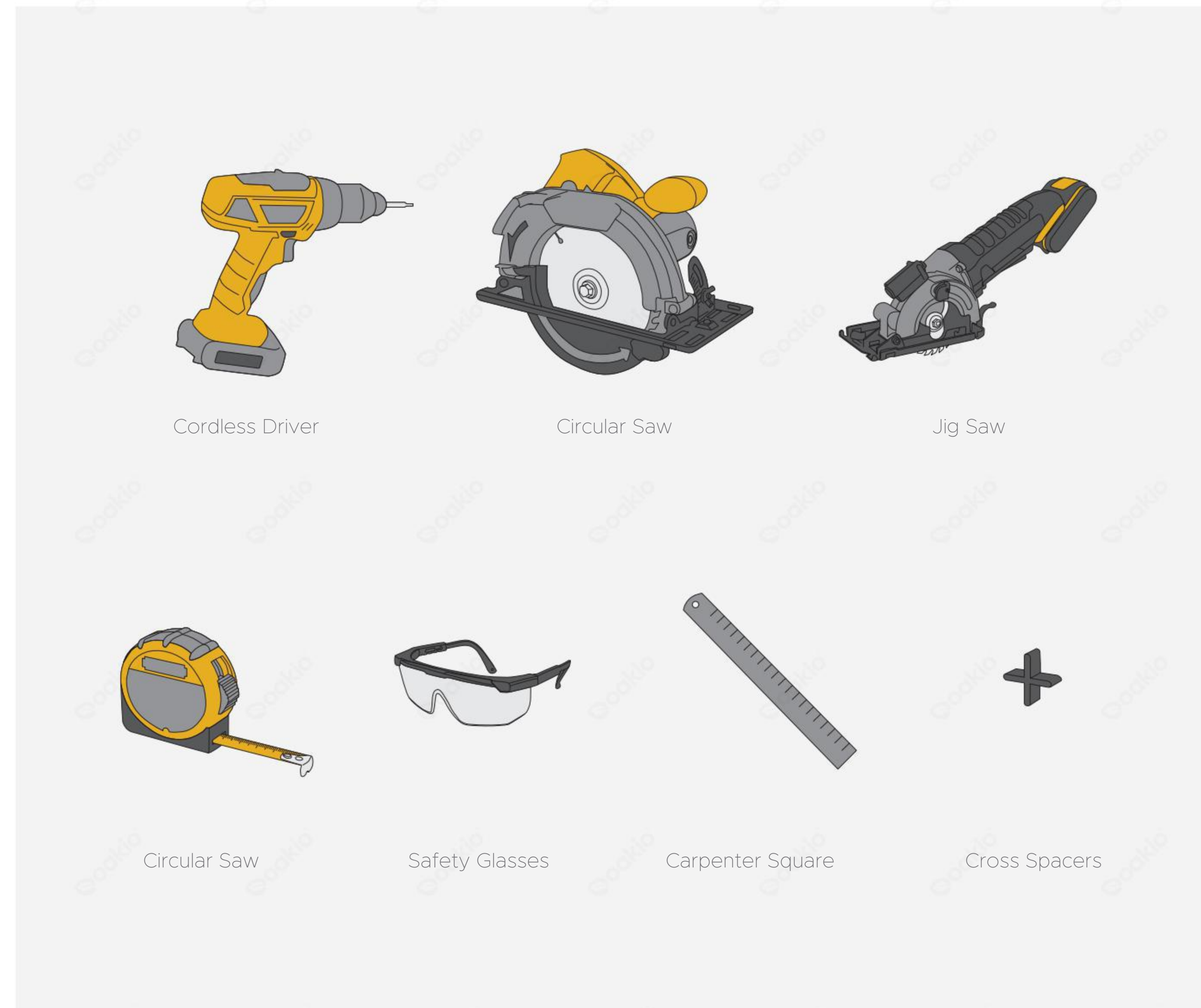
Fix two screws with intervals of 25mm. If the gap between screws is wider than 50mm, add a certain number of screws in the middle with 25mm intervals.

Read All Sections Before You Install

To get latest information, please visit our website: www.Oakio.com.

Tools Required

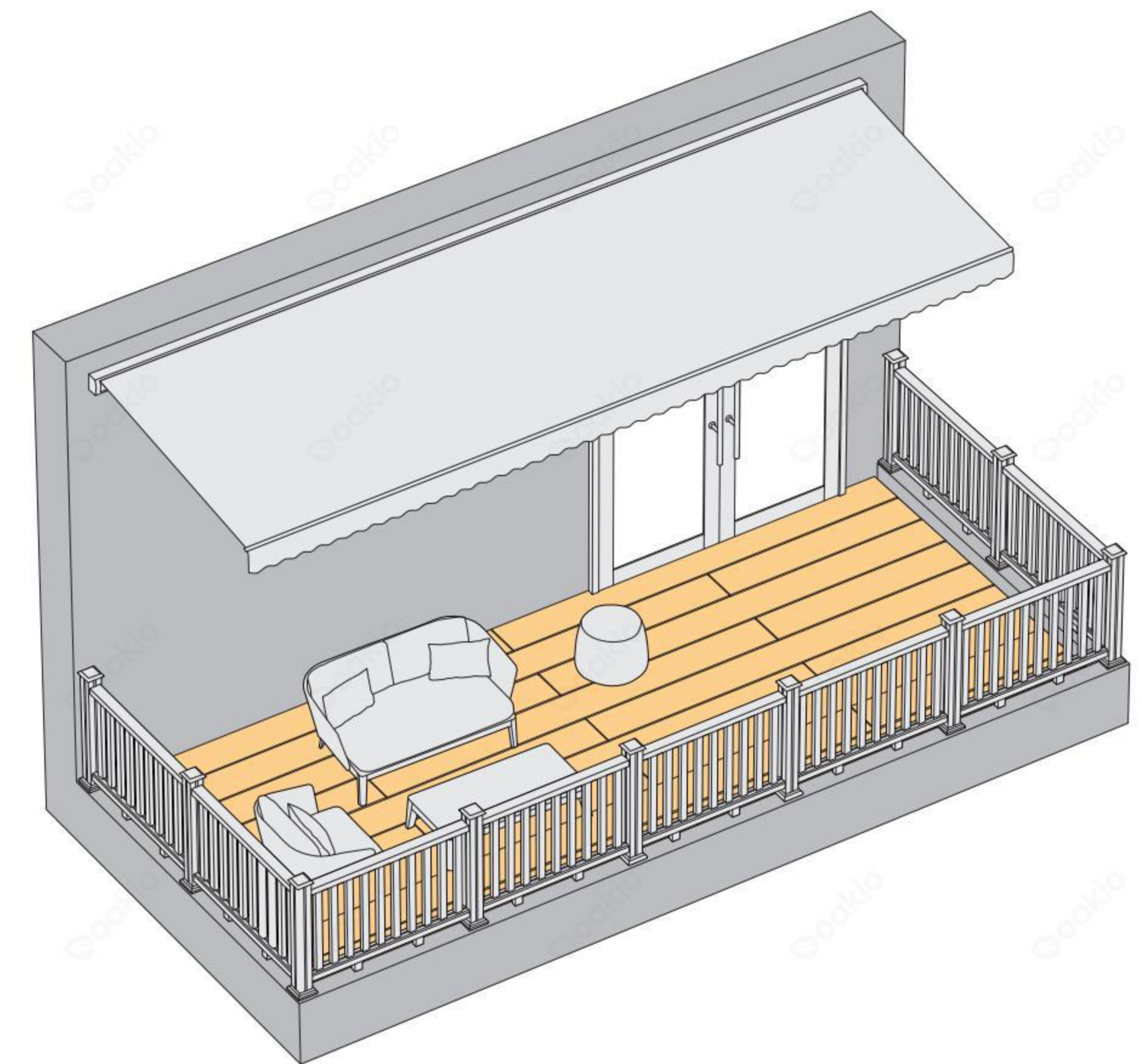
You can use cross spacers to determine decking spacing easily. The specification of cross spacer should be matched with width-to-width gap. If the temperature is higher than 5°C during installation, 3mm cross spacers should be used. If the temperature is lower than 5°C during installation, 6mm cross spacers should be used.



Sleeper Deck System

A sleeper system is a substructure between a solid surface and Oakio decking. Drainage, access, and airflow are critical. Water must be able to flow through and away from the deck. For repairs and removal of debris, joist system access may be necessary.

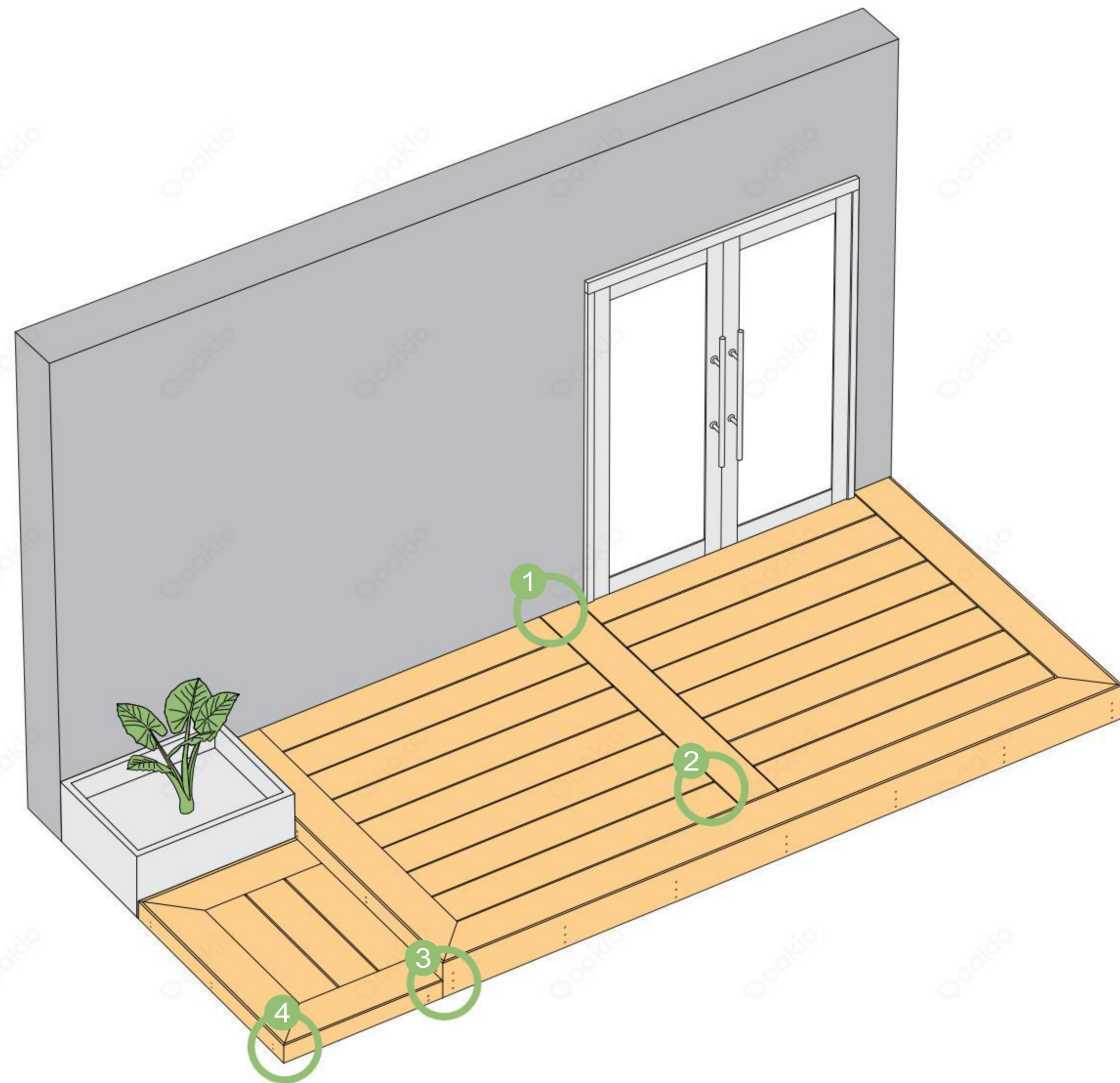
1. It is recommended that building-code-approved structural material be used as the supports.
2. This system should not be allowed to float; it must be attached in a manner that secures the framing/system.
3. The sleeper system must be level and have no uneven undulations. Any uneven areas of the substructure will transfer to the Oakio decking, resulting in uneven decking.
4. When used with a sleeper system, the decking must be supported below its entire length. If using in a roofing application, the supports must run the direction of the pitch of the roof to facilitate proper drainage. Sleeper should be placed perpendicular to the deck board orientation.
5. For commercial applications, consult a local building code official for specific requirements.



Installation Notice

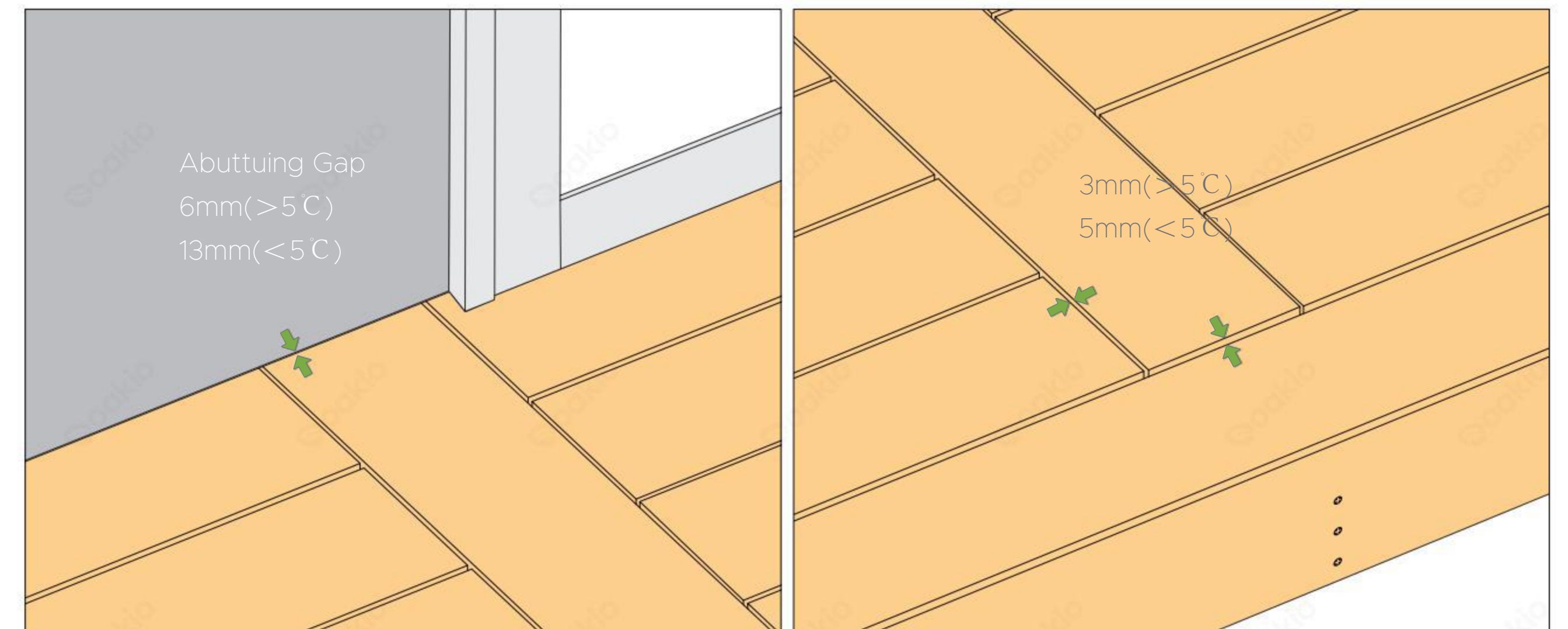
To get latest information, please visit our website: www.Oakio.com.

Pre-drilling is required whenever screws are fixed to wpc materials.
The temperature refers to ambient air temperature when you install the decking.



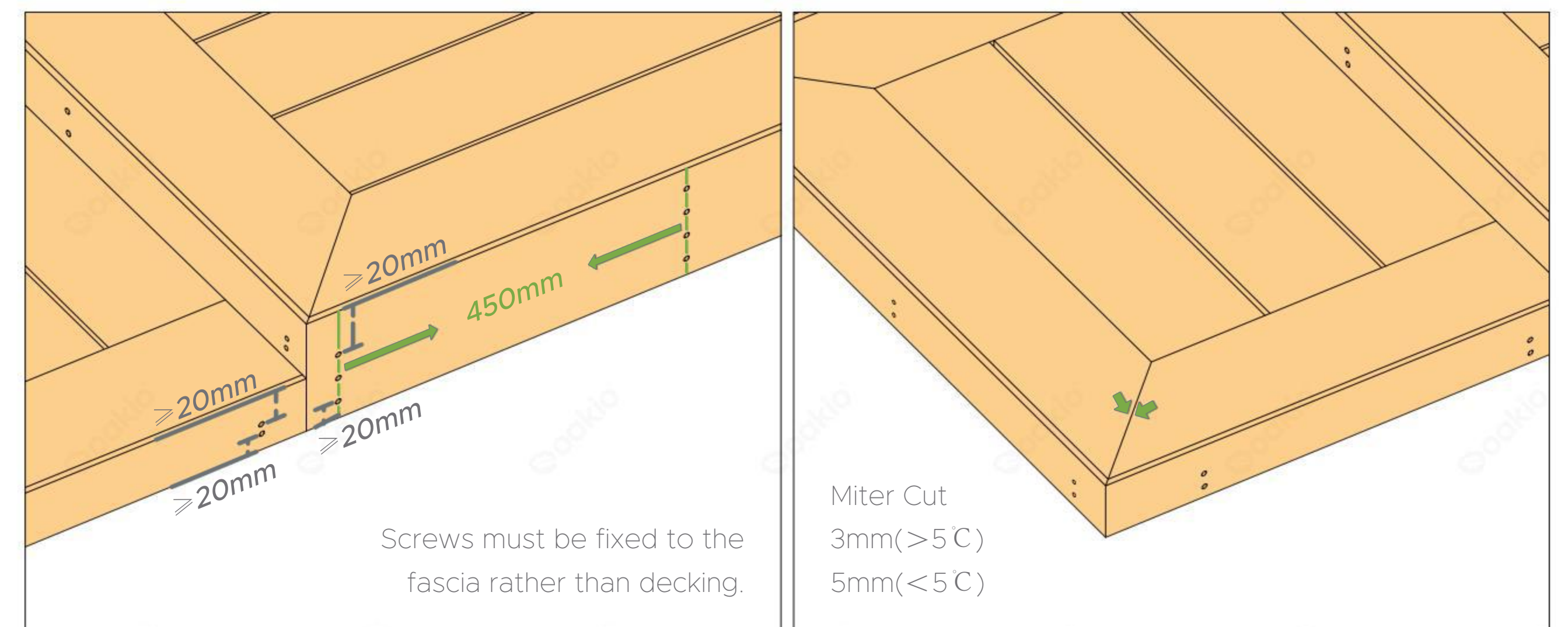
1 Abutting gap is required.

2 Remain board-to-board gap in case of expansion and contraction.



3 At least two screws for fascia in width.

4 Miter cuts at corners create a more aesthetically pleasing installation.

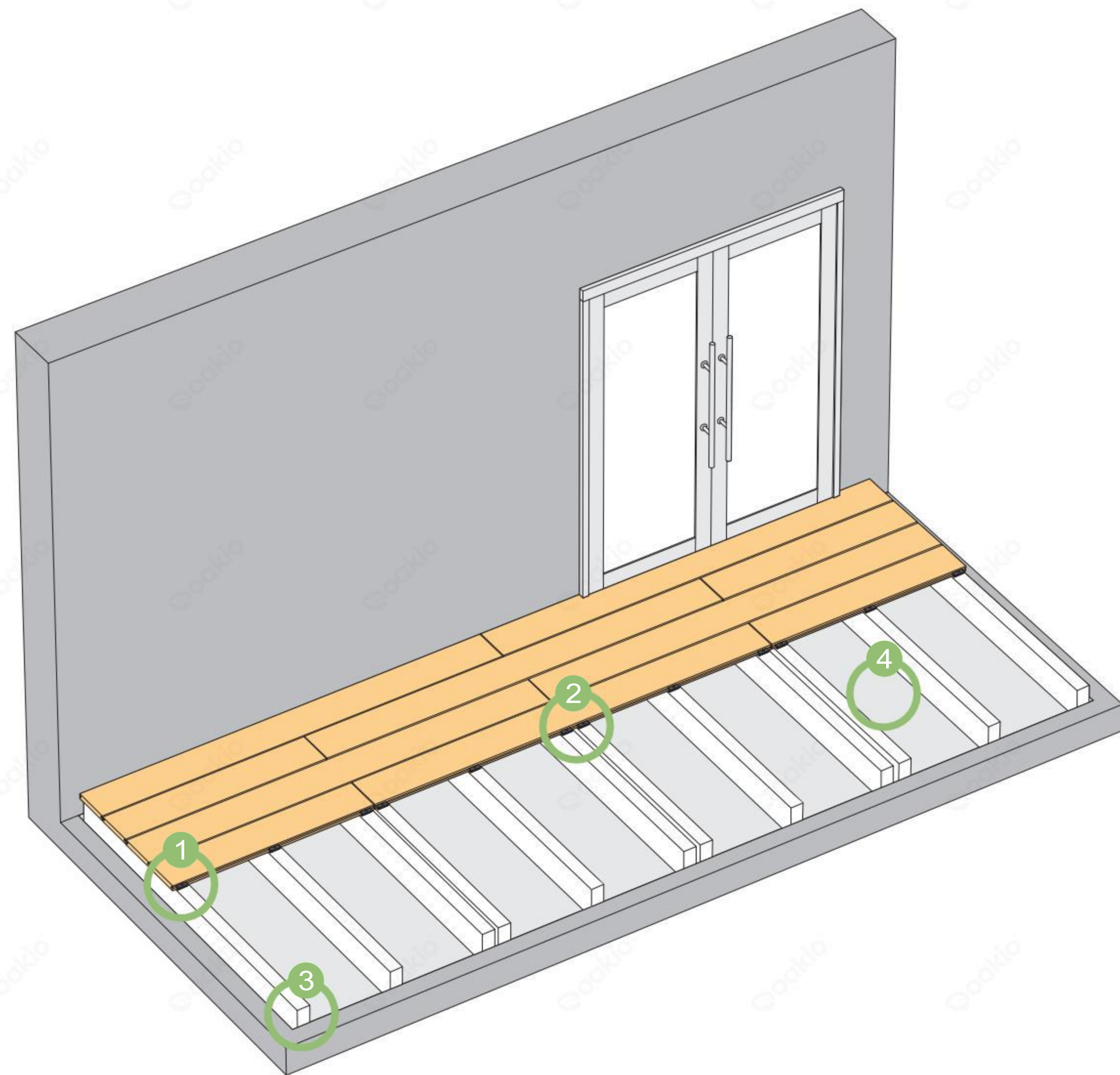


Installation with Wood Joist

To get latest information,
please visit our website: www.Oakio.com.

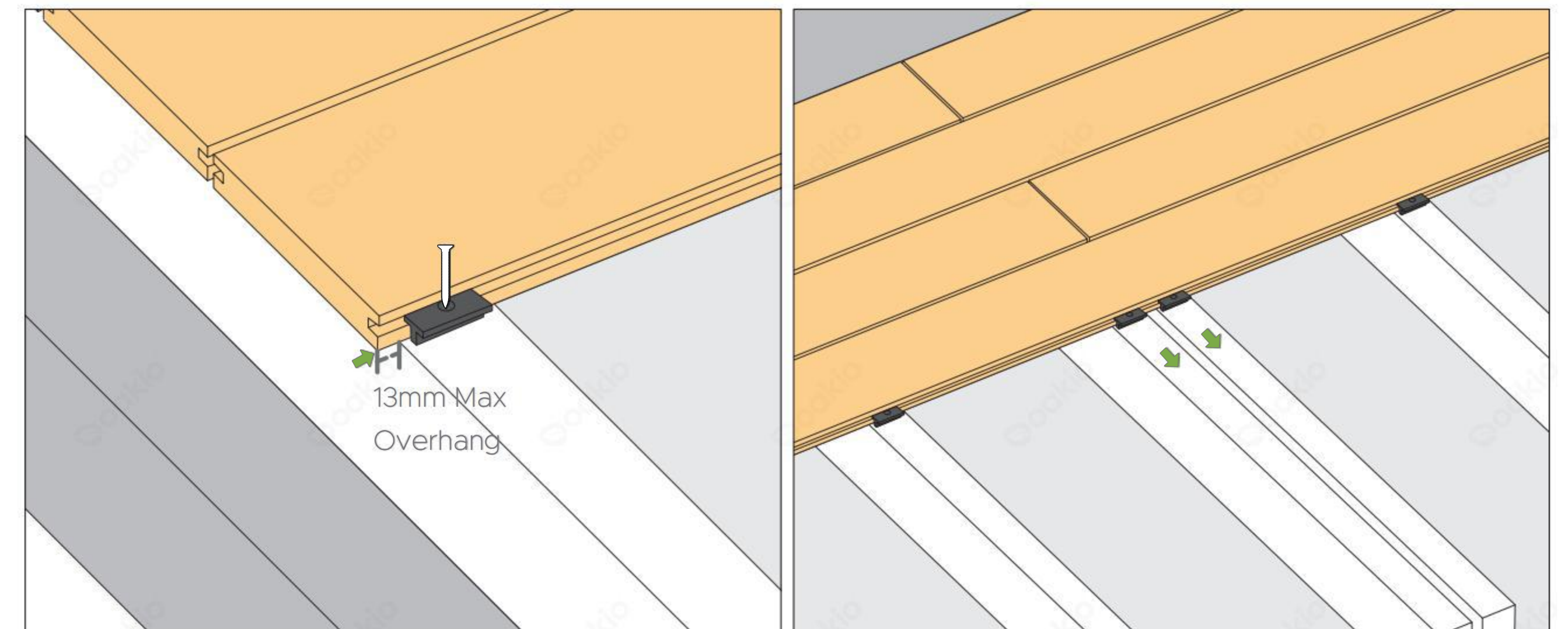
Joists are mainly made of wood, iron and aluminium, which can be determined according to specific needs and individual preference.

The following are four details you should be aware of when you install Oakio decking with wood joists.



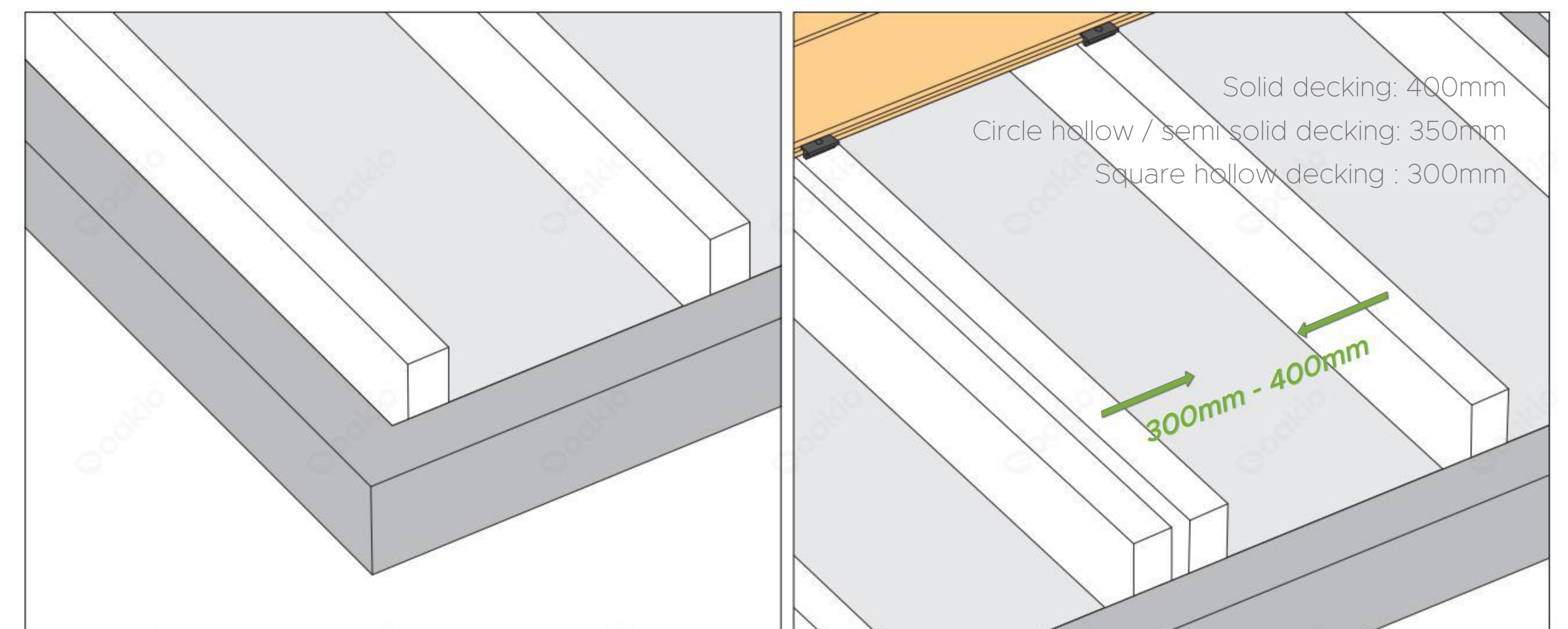
1 The maximum of overhang is 13mm.

2 Two pieces of joists are required where two decks connect.



3 Perimeter joist is dispensable per manufacturers requirements.

4 Adjust end spacing per manufacturers requirements.

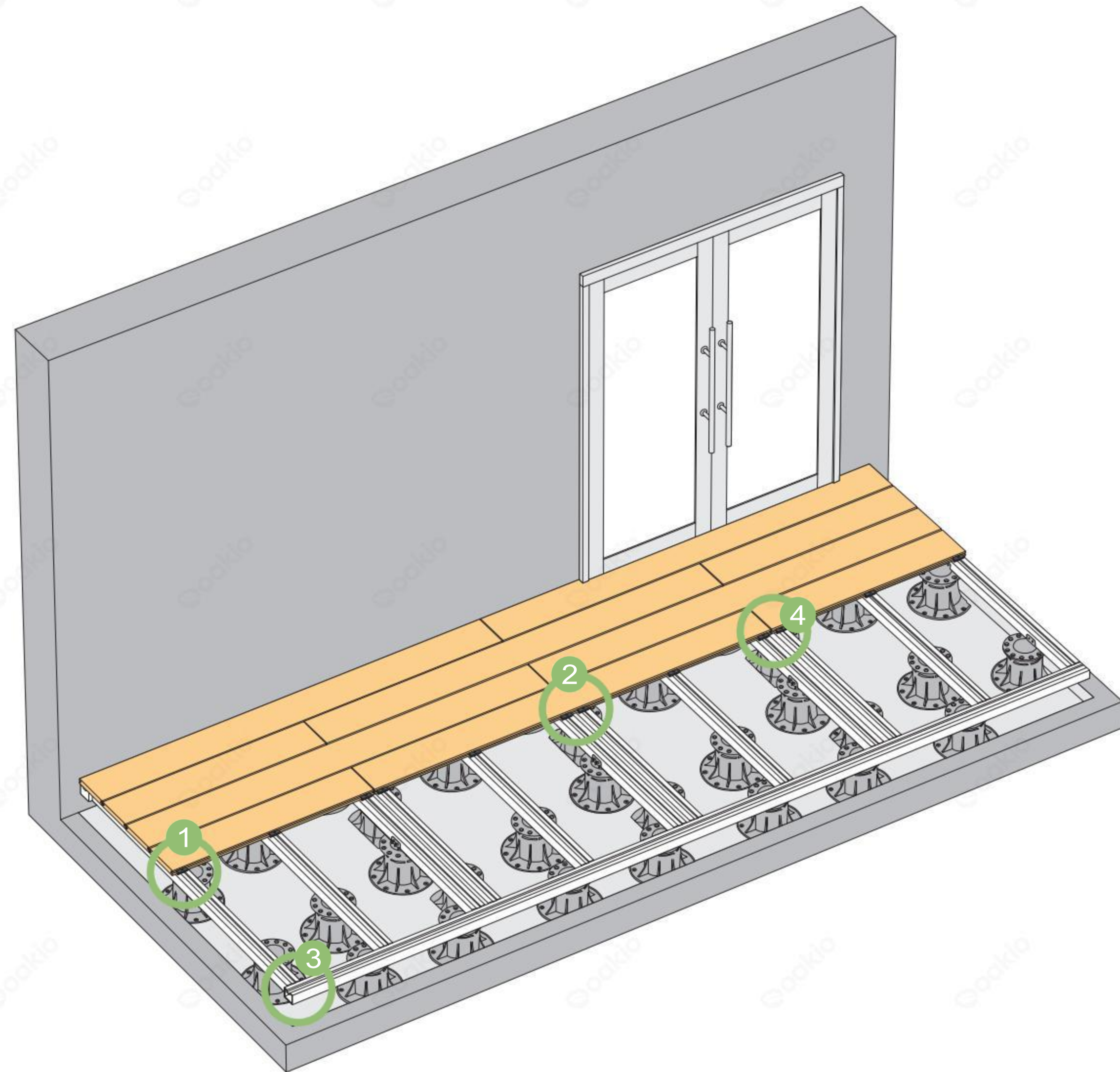


Installation with Aluminum Joist

To get latest information, please visit our website: www.Oakio.com.

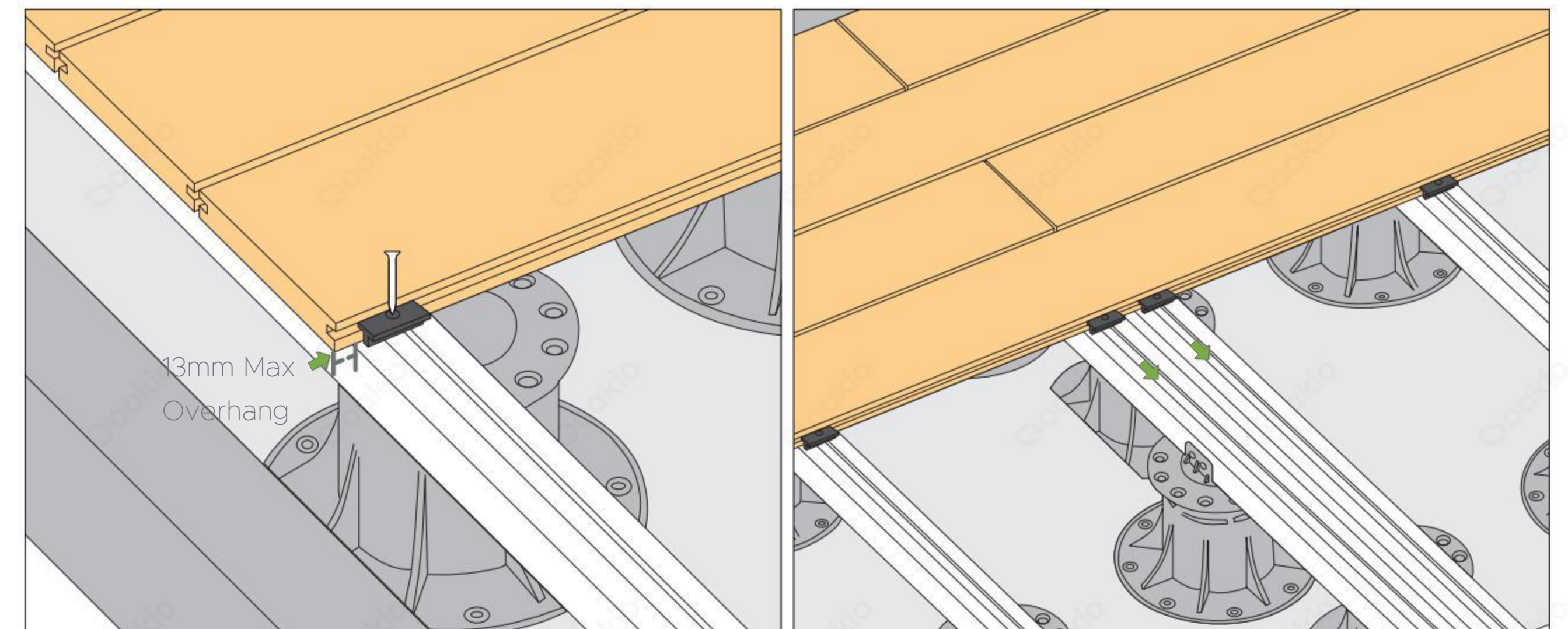
Joists are mainly made of wood, iron and aluminium, which can be determined according to specific needs and individual preference.

The following are four details you should be aware of when you install Oakio decking with aluminium joists.



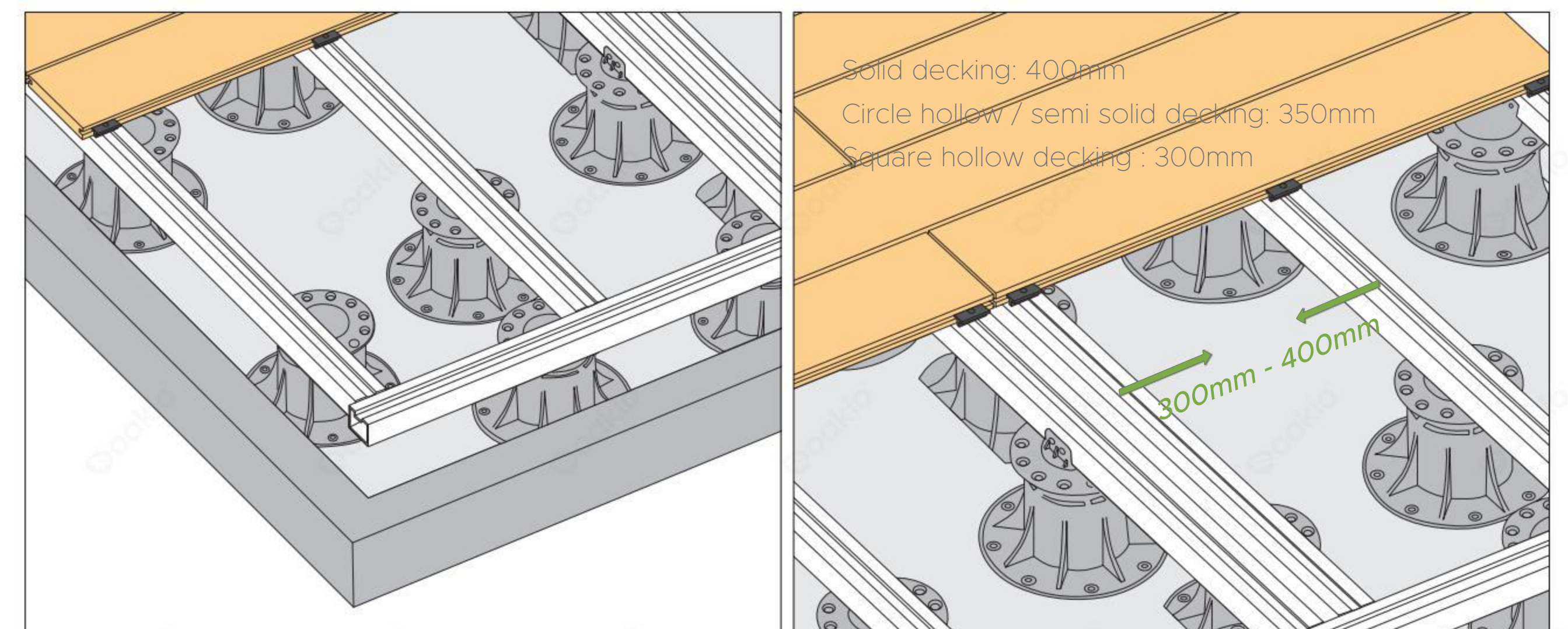
1 The maximum of overhang is 13mm.

2 Two pieces of joists are required where two decks connect.



3 Perimeter joists are required.

4 Adjust end spacing per manufacturers requirements.



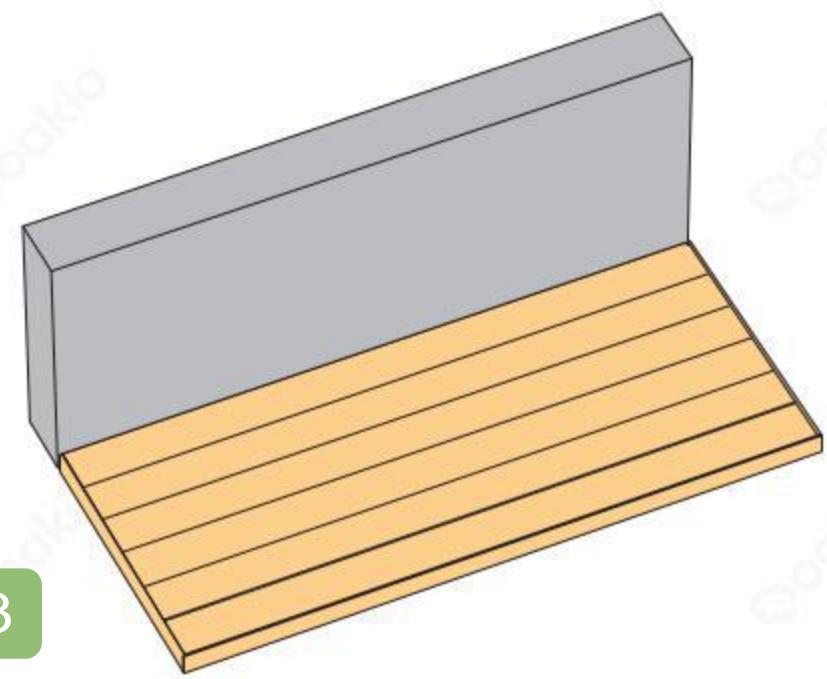
Decking idea and inspiration

To get latest information, please visit our website: www.Oakio.com.

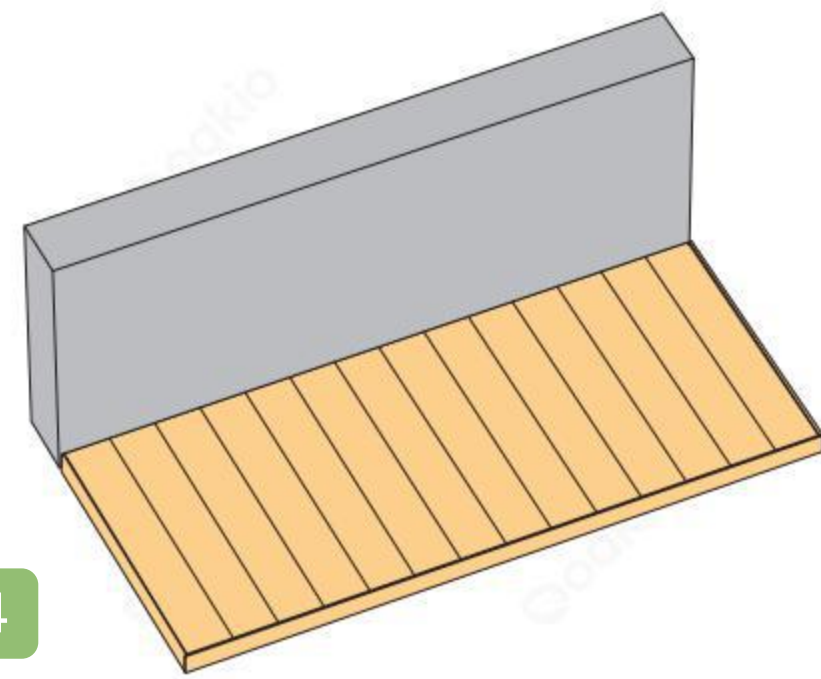
Deck ideas can draw on different design styles, from rustic to contemporary. These deck ideas suggest different ways to design and build a custom deck to your tastes while taking advantage of the outdoor space available to you.

Why not fall back in love with your outdoor spaces with Oakio?

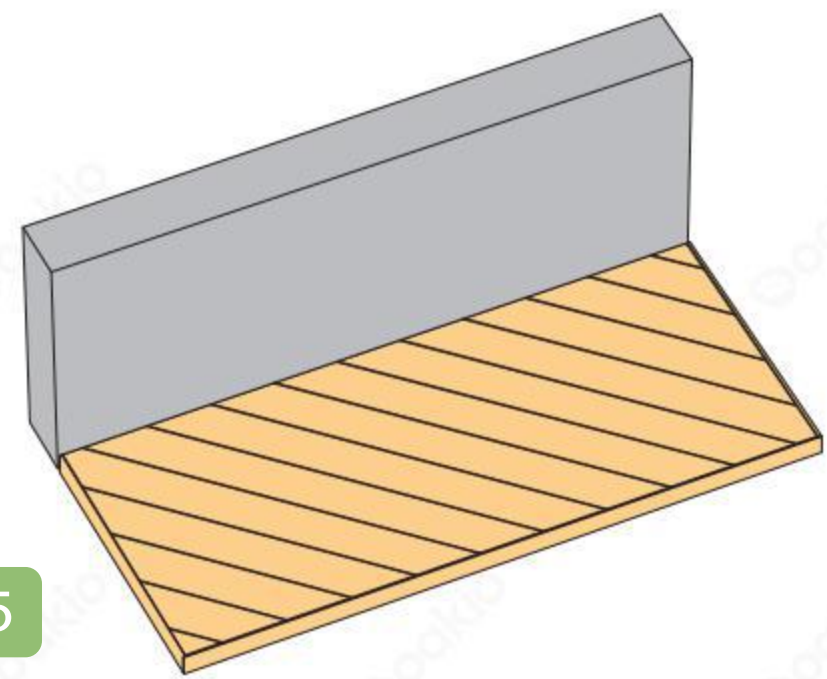
Type 01



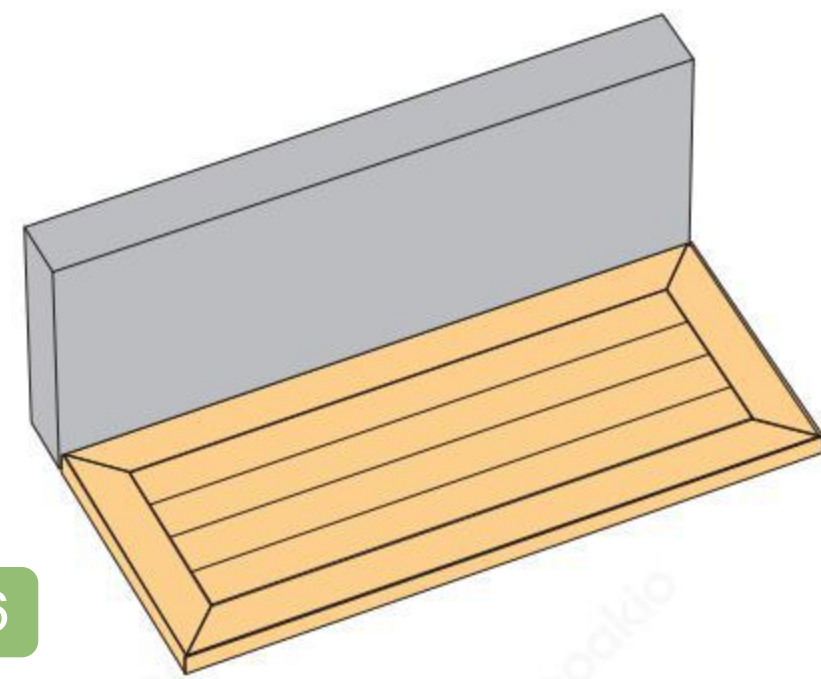
Type 02



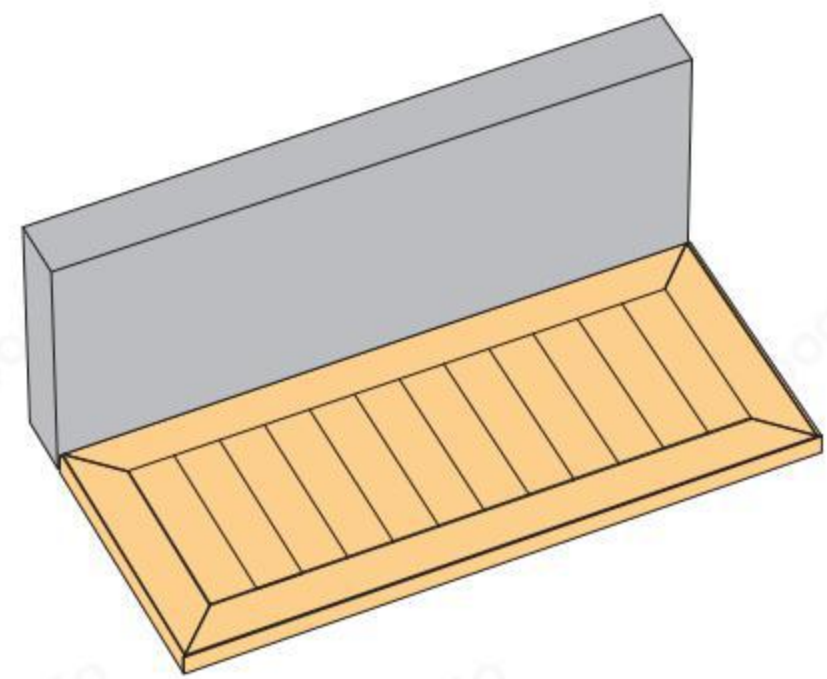
Type 03



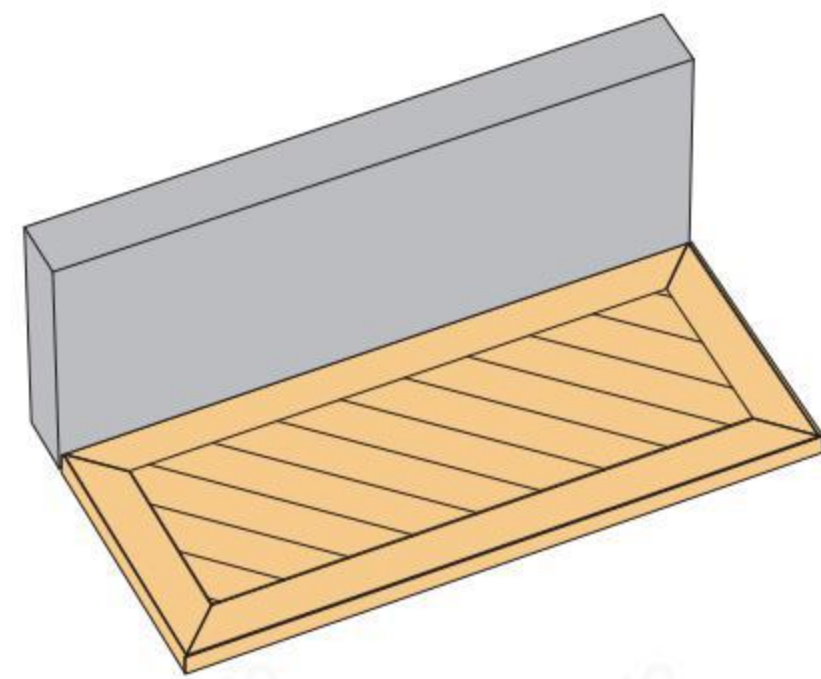
Type 04



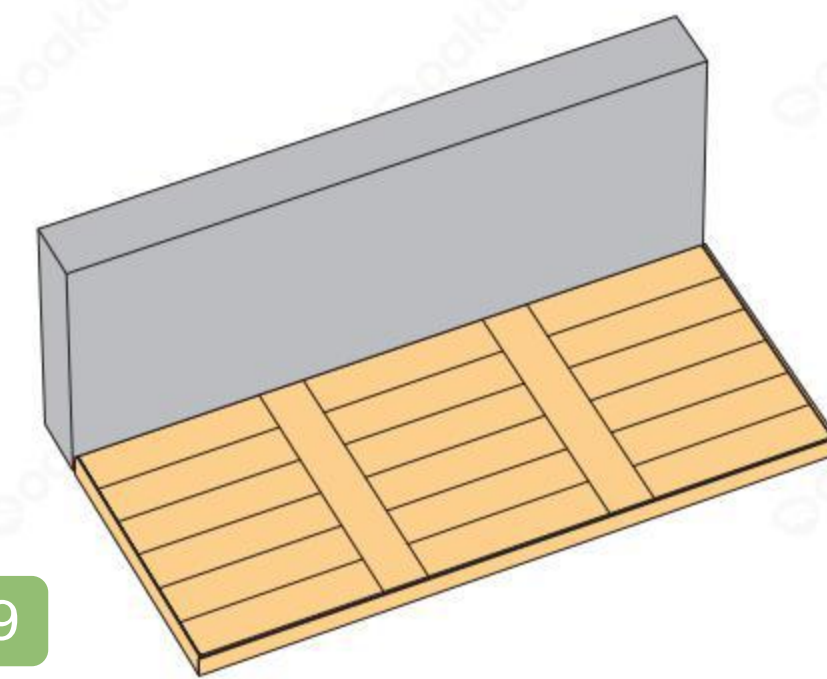
Type 05



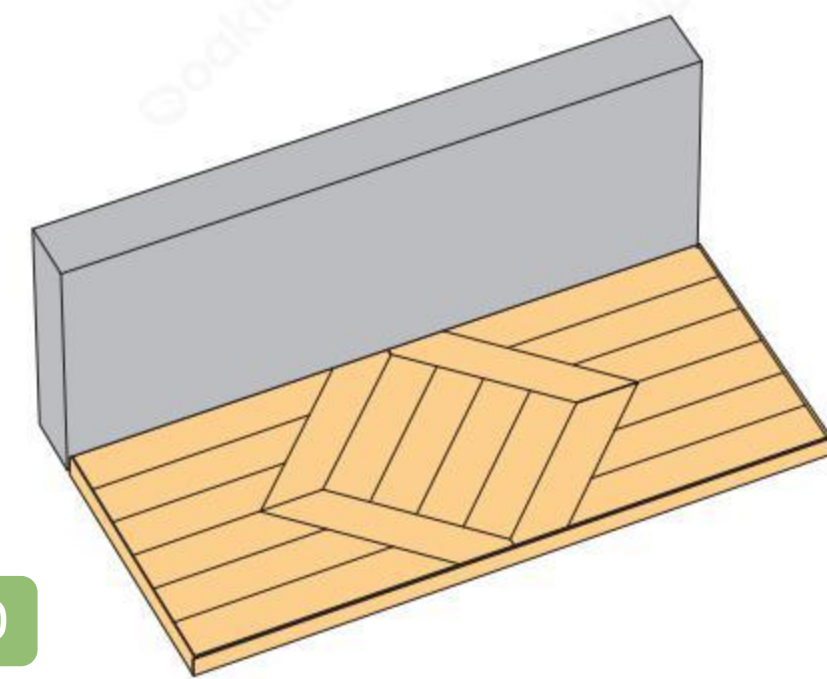
Type 06



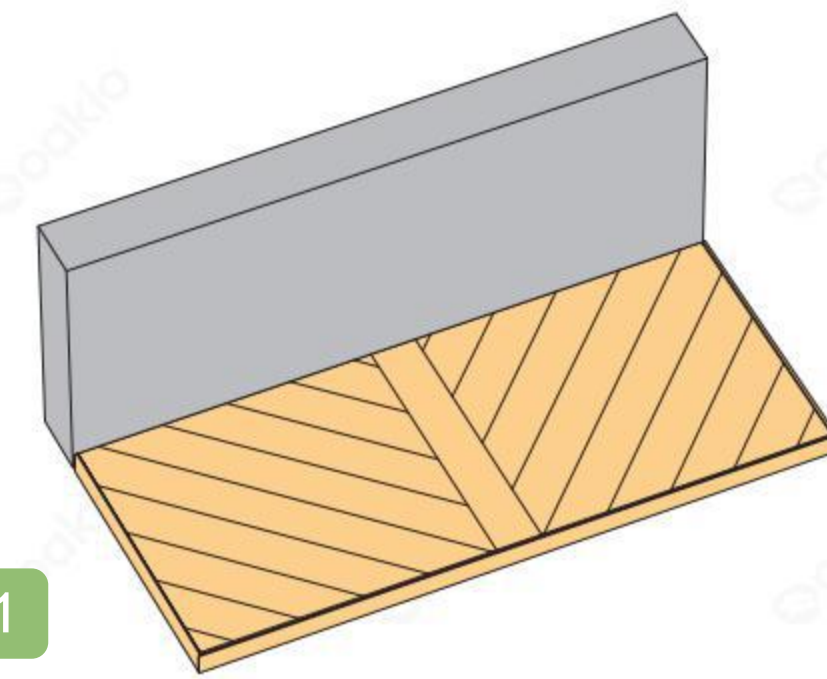
Type 07



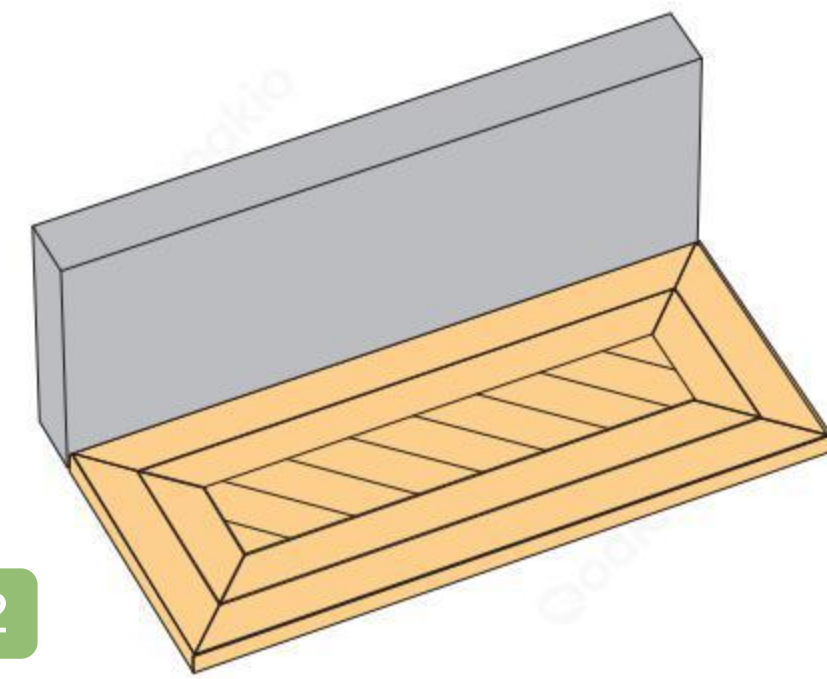
Type 08



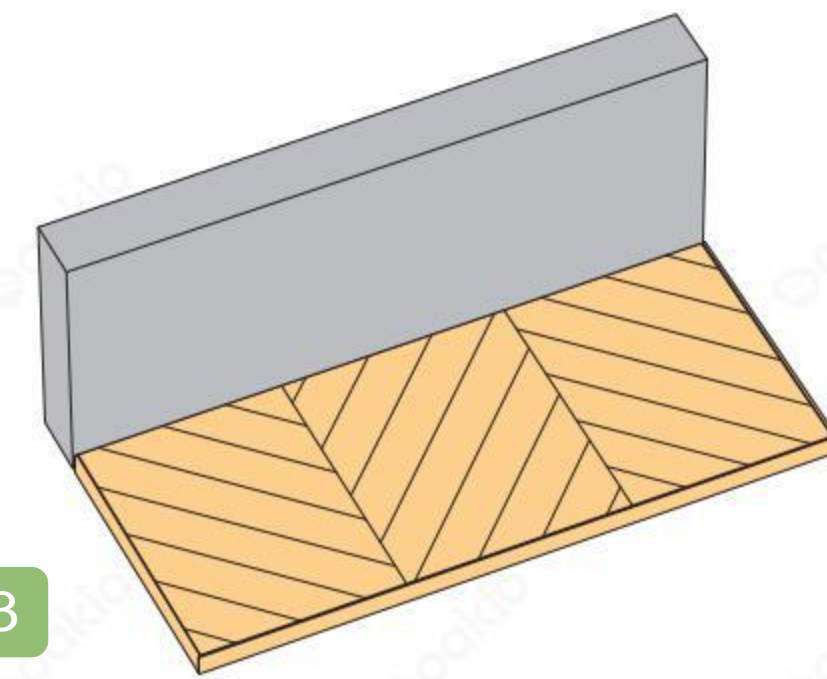
Type 09



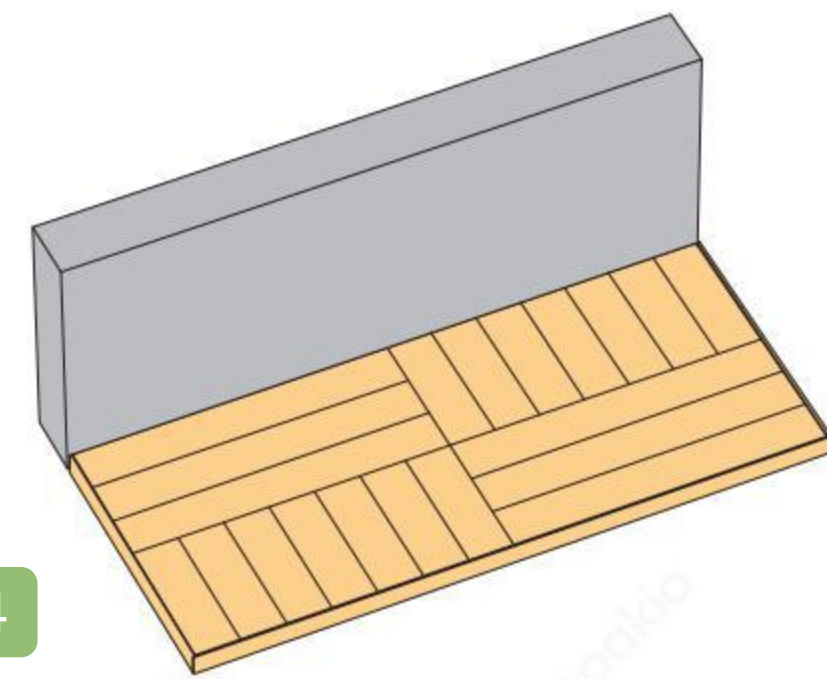
Type 10



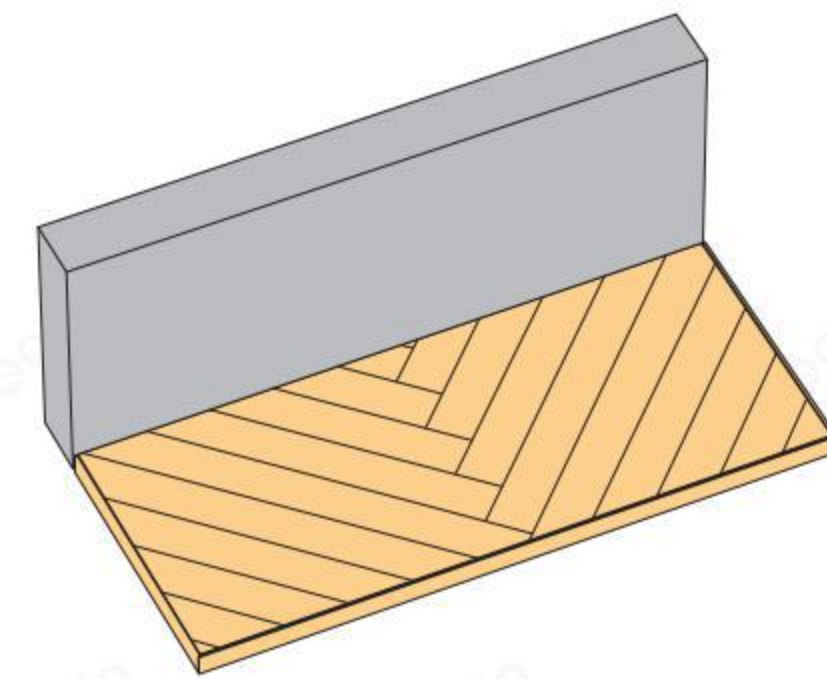
Type 11



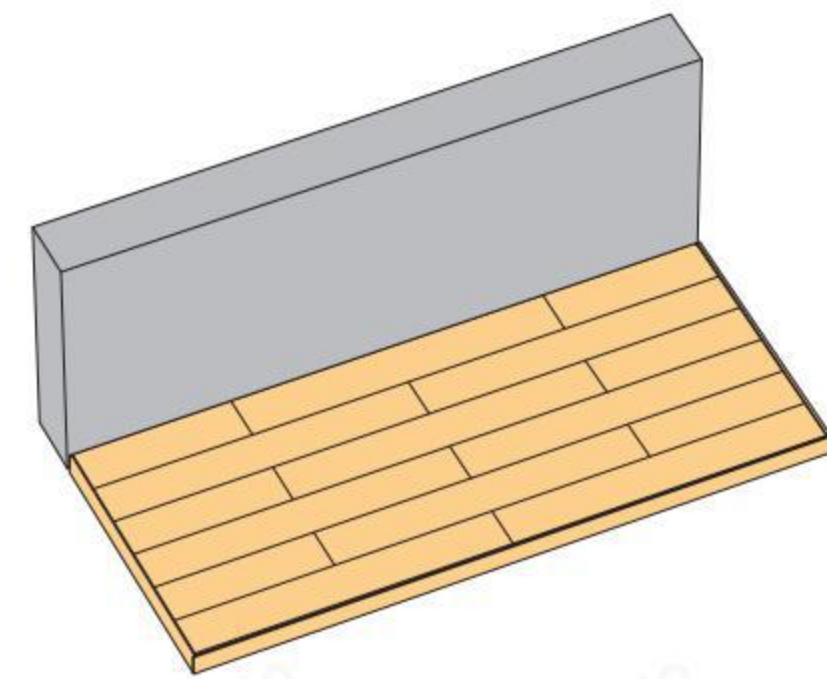
Type 12



Type 13



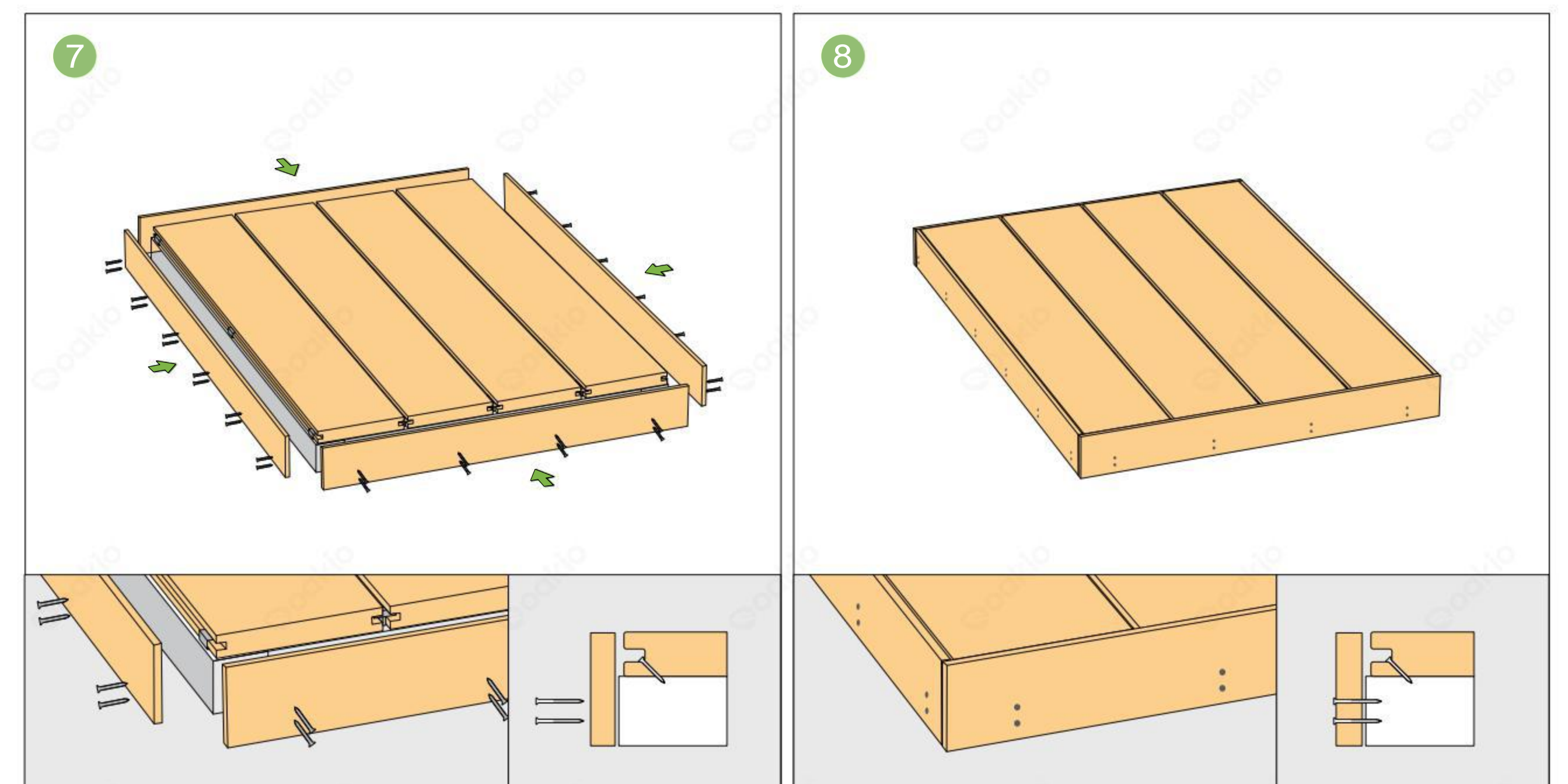
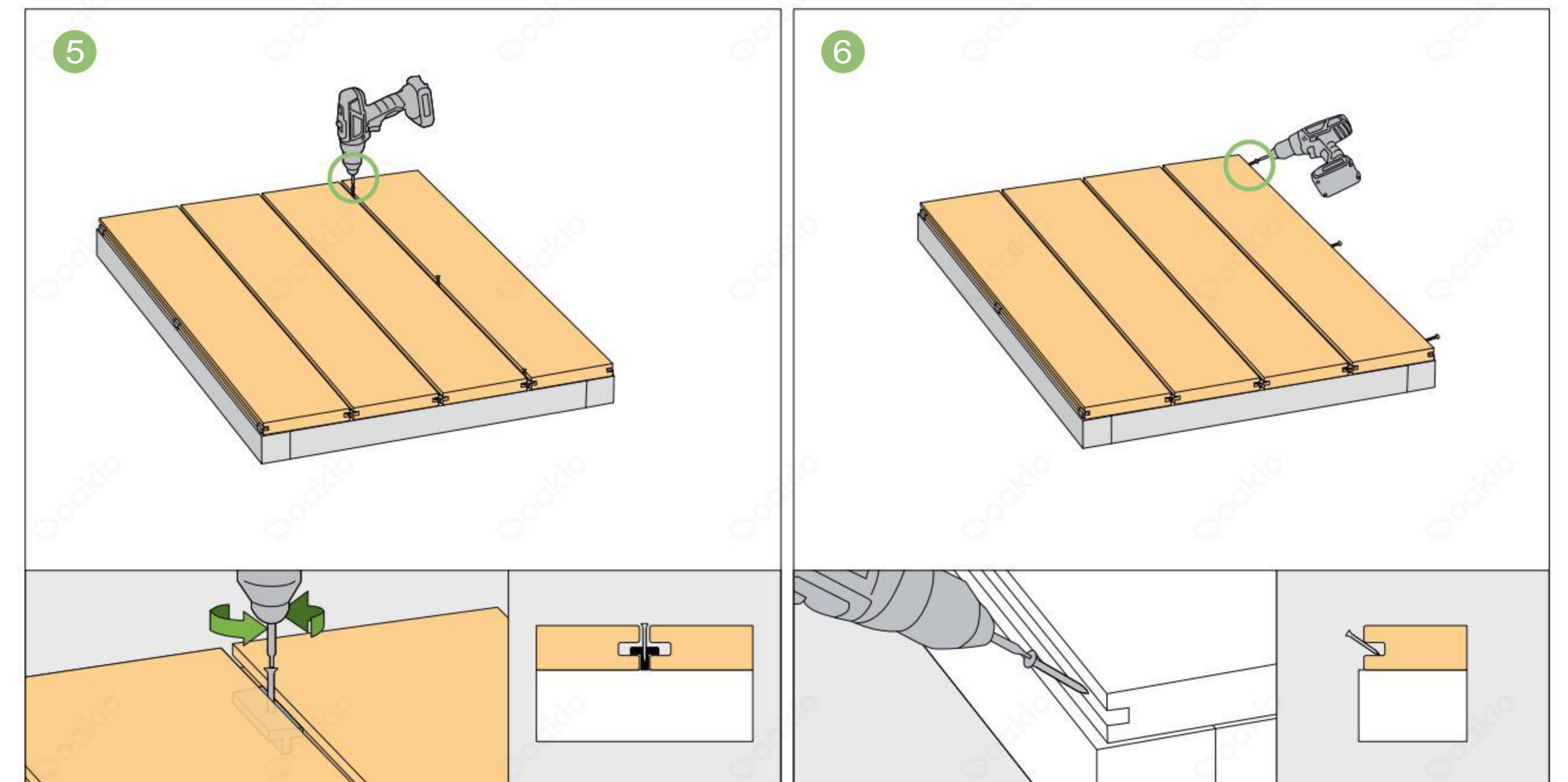
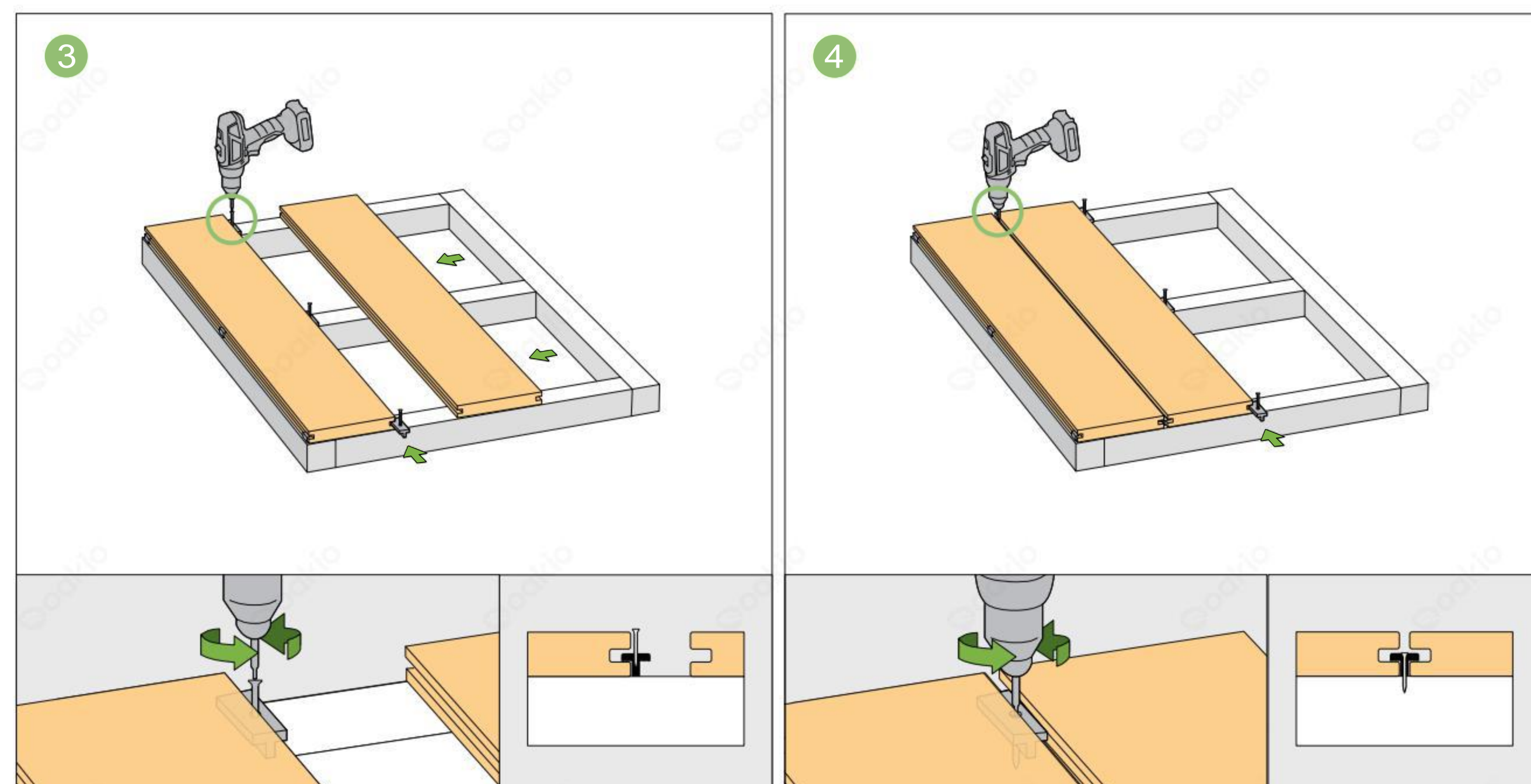
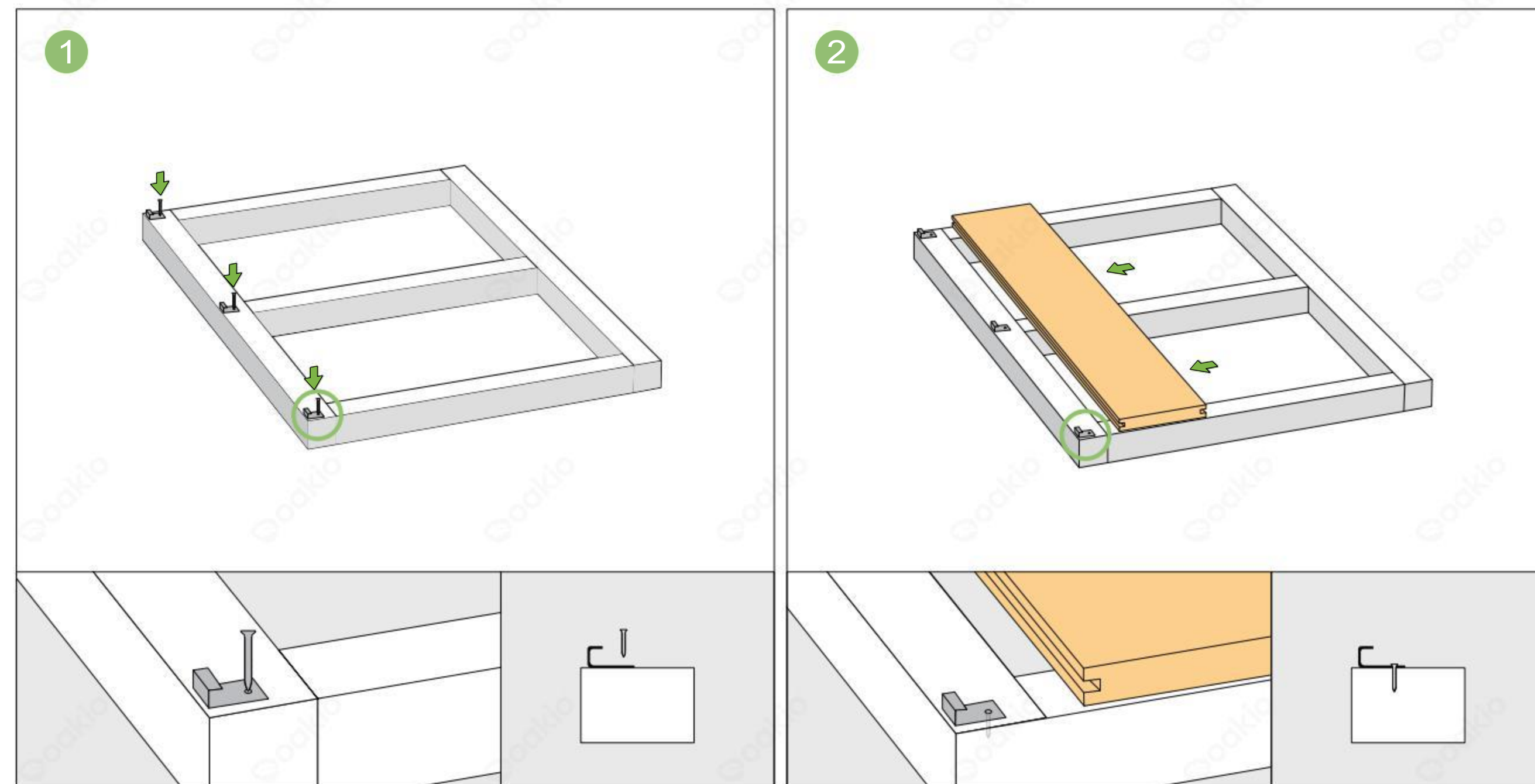
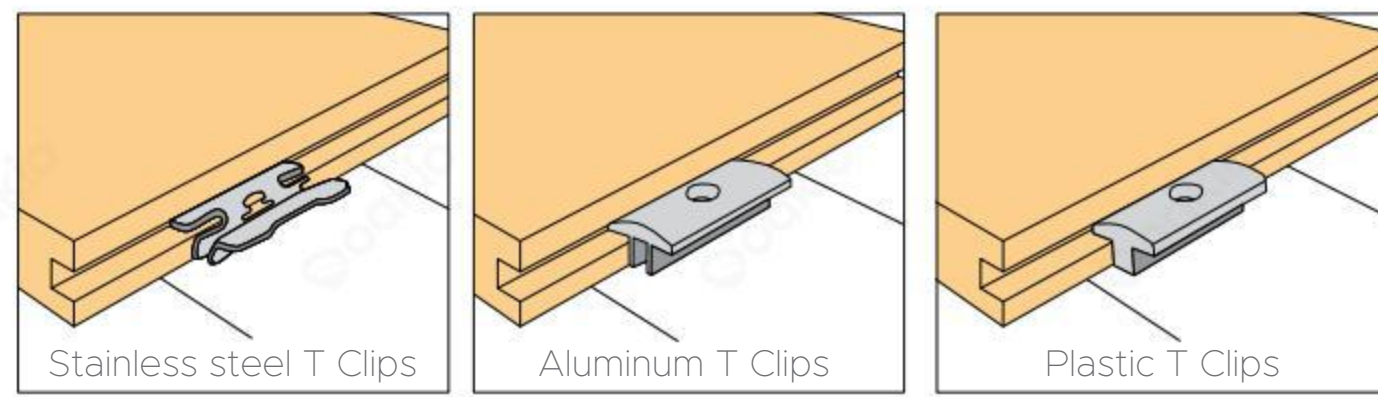
Type 14



Steps to install Option A -

("T" Clip system with fascia)

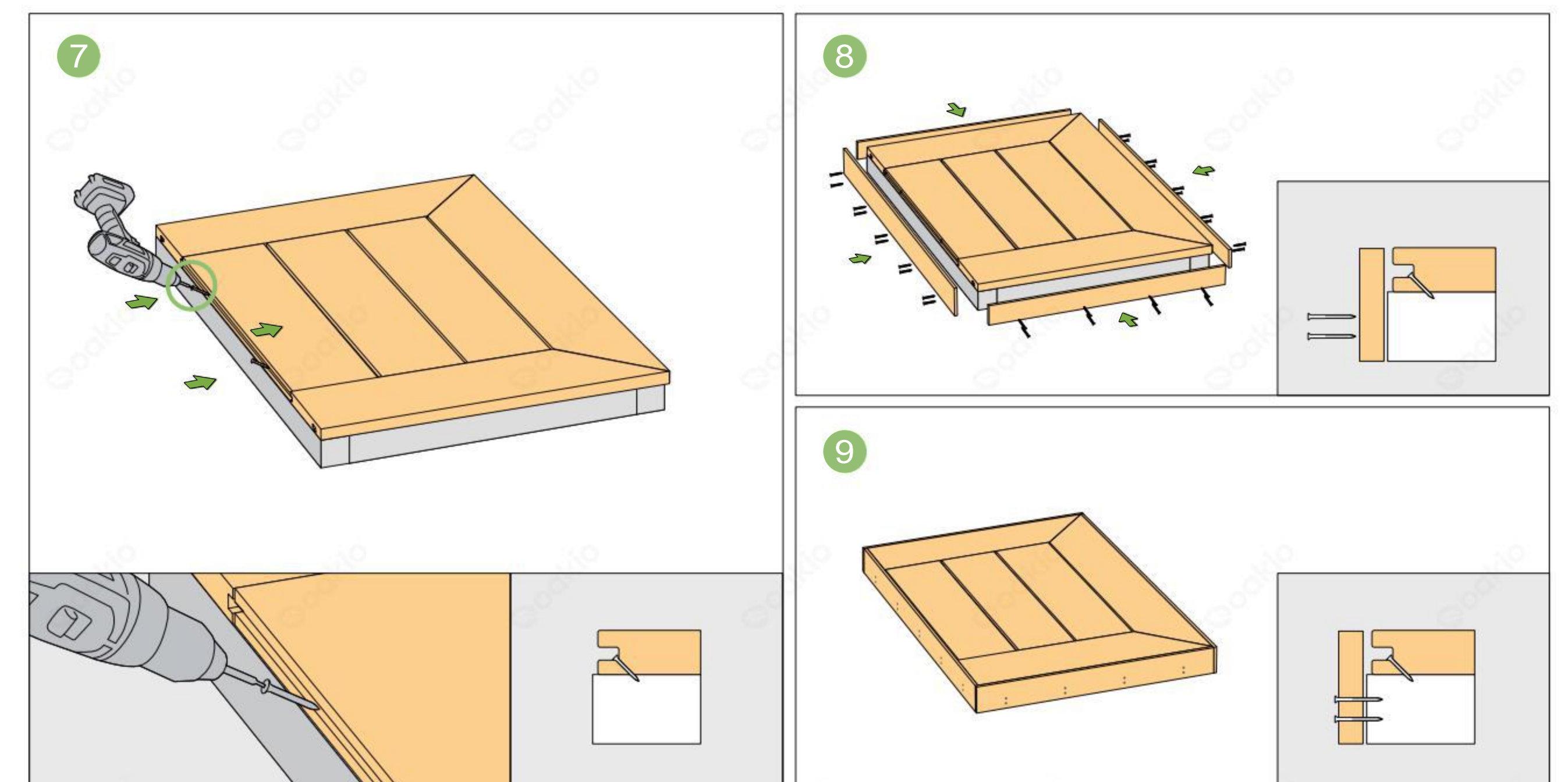
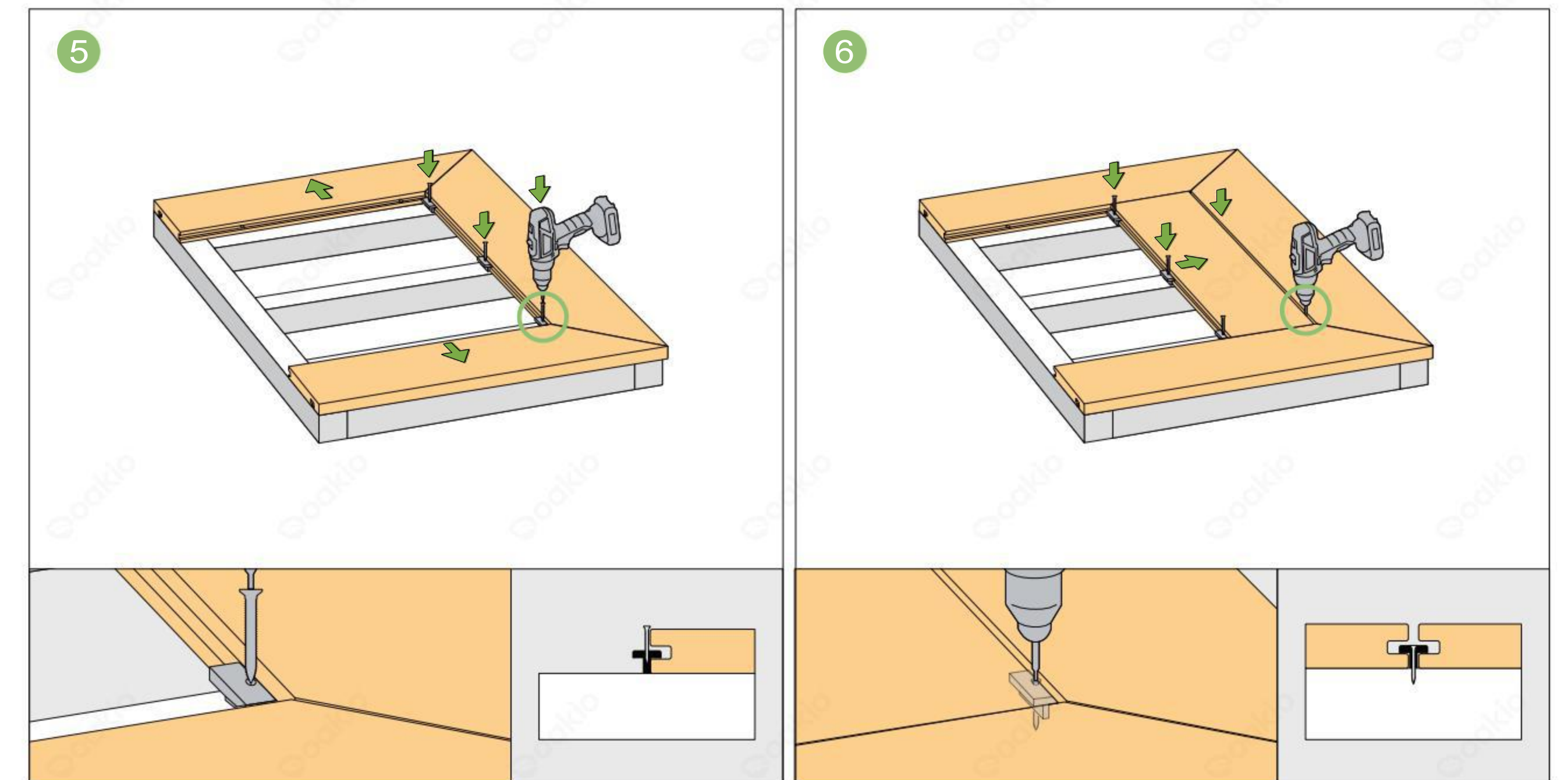
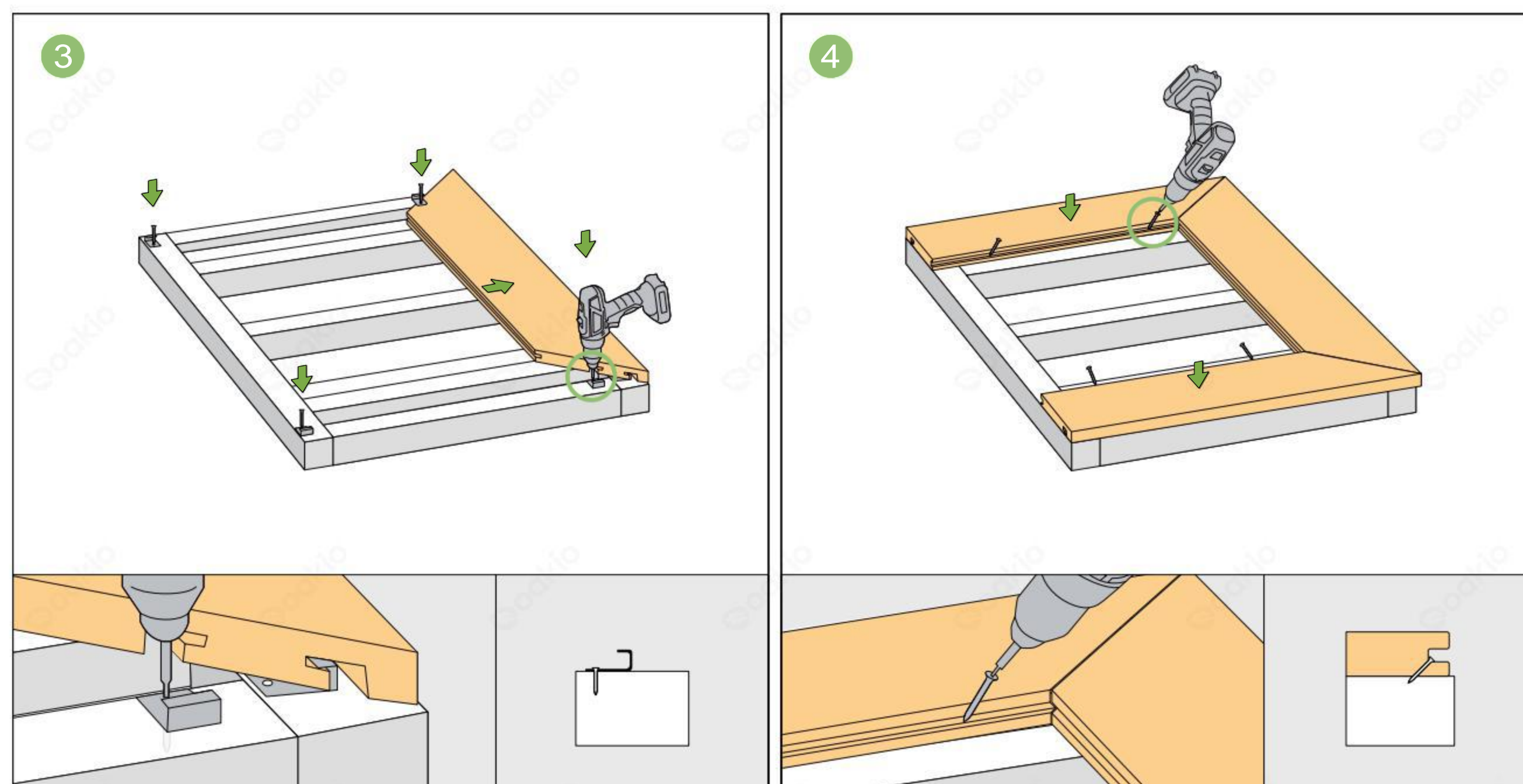
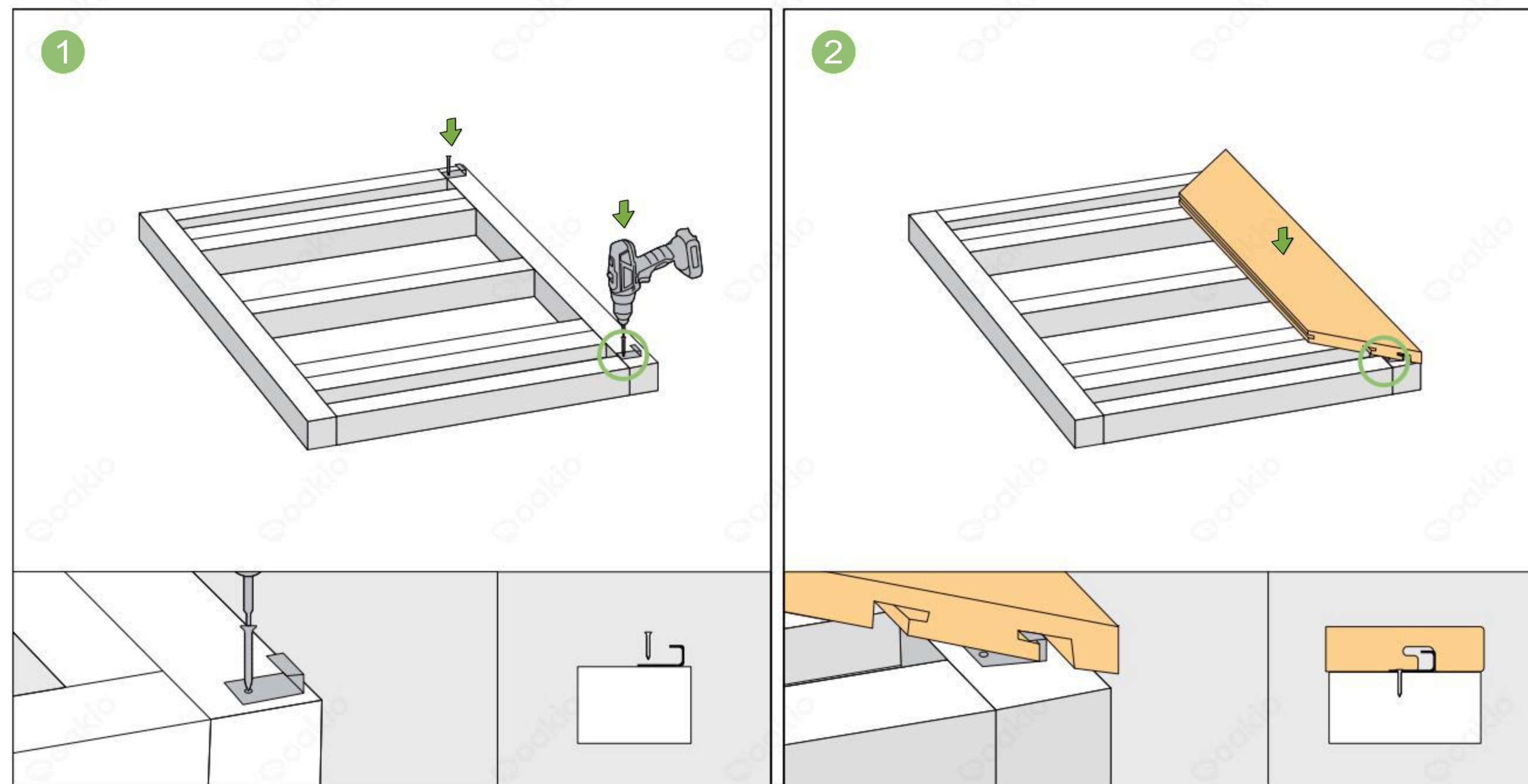
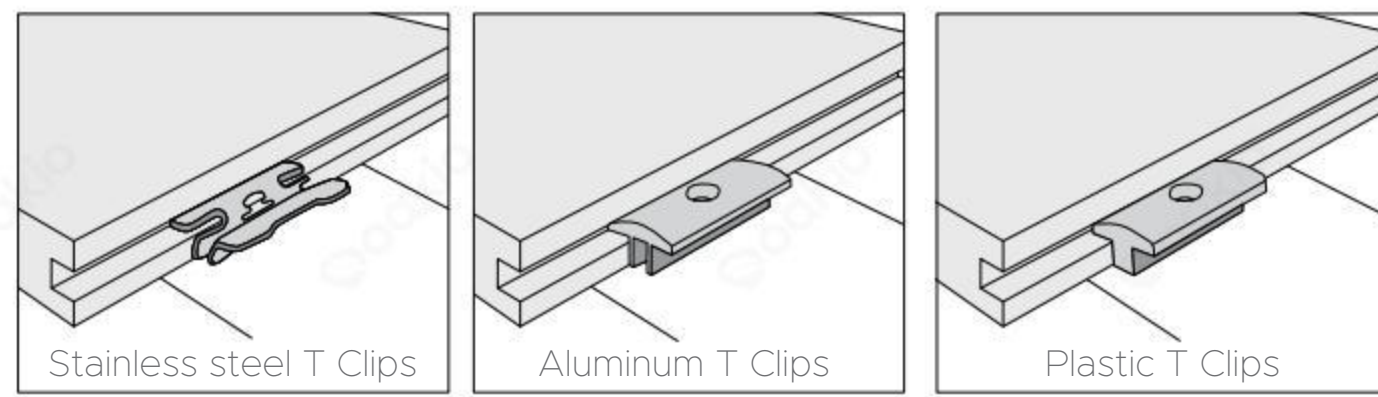
"T" Clips Options



Steps to install Option B -

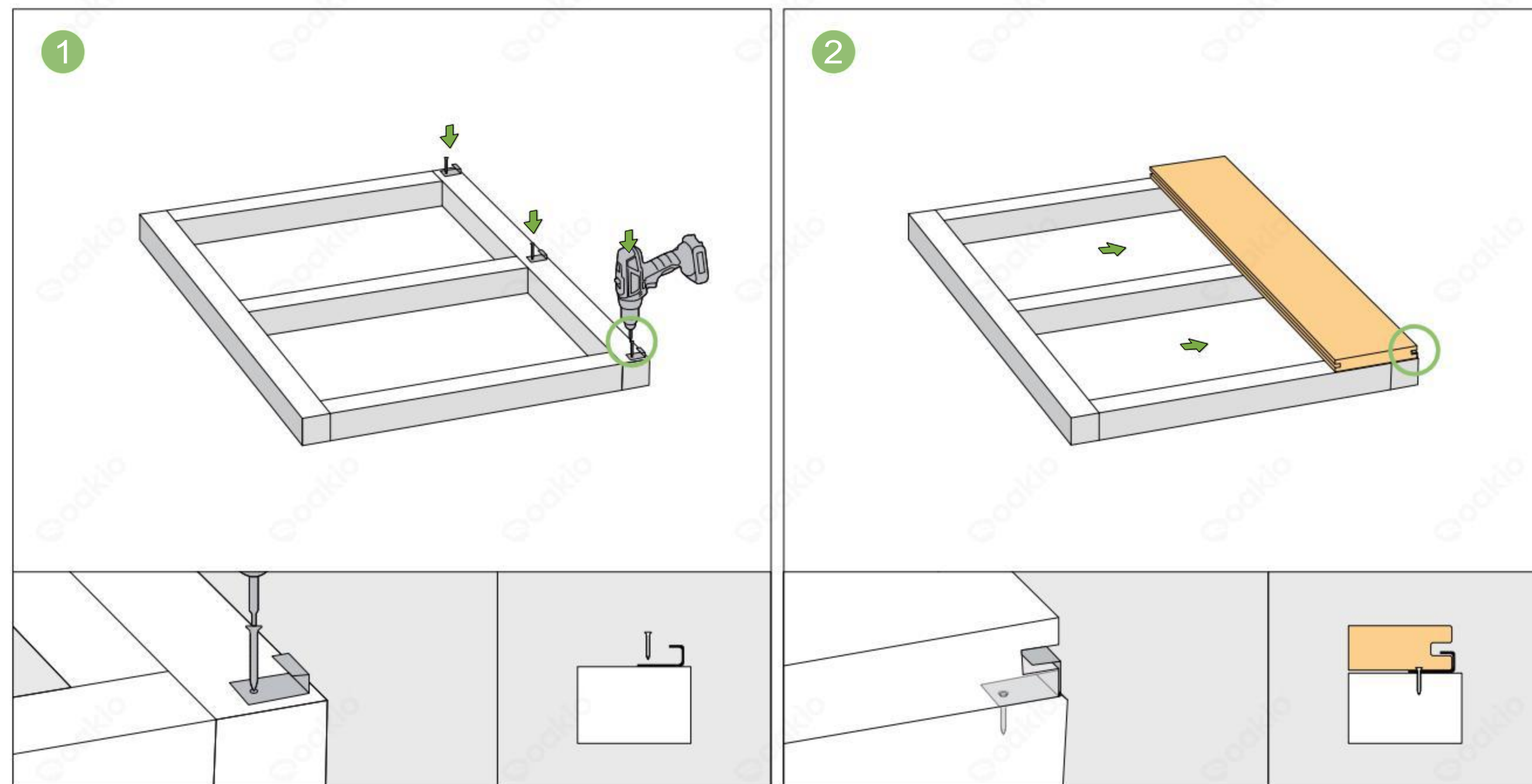
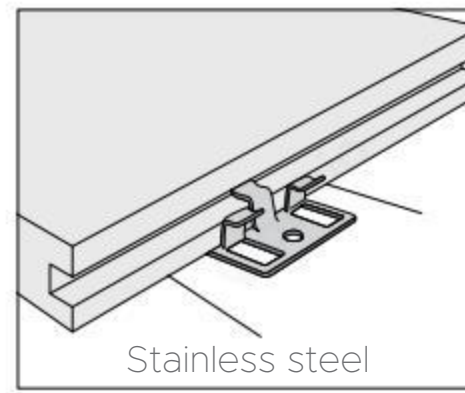
("T" Clip system with edge board)

"T" Clips Options



Steps to install Option C -

("π" Clip system with fascia)



Steps to install Option D -

("π" Clip system with edge board)

