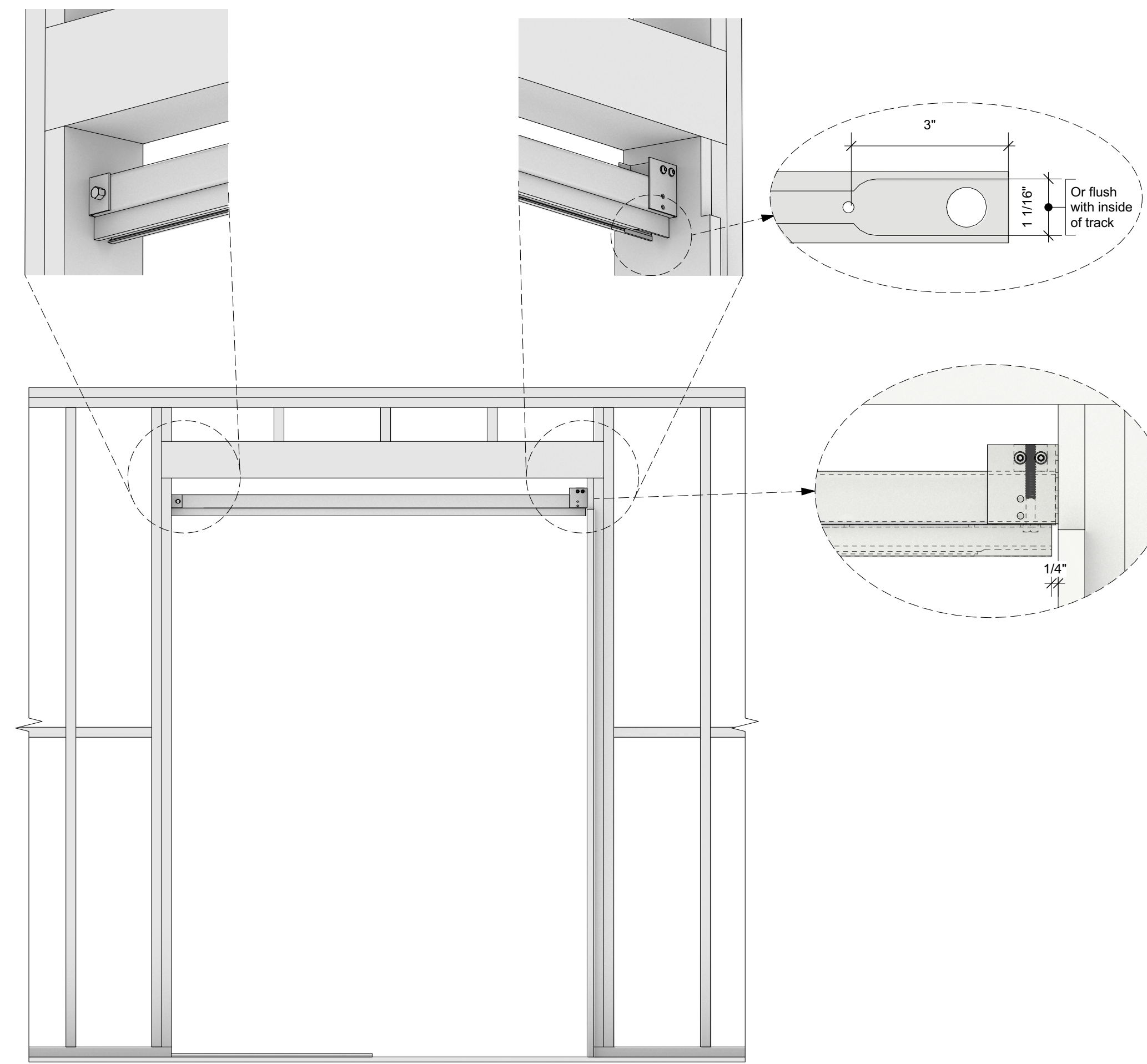
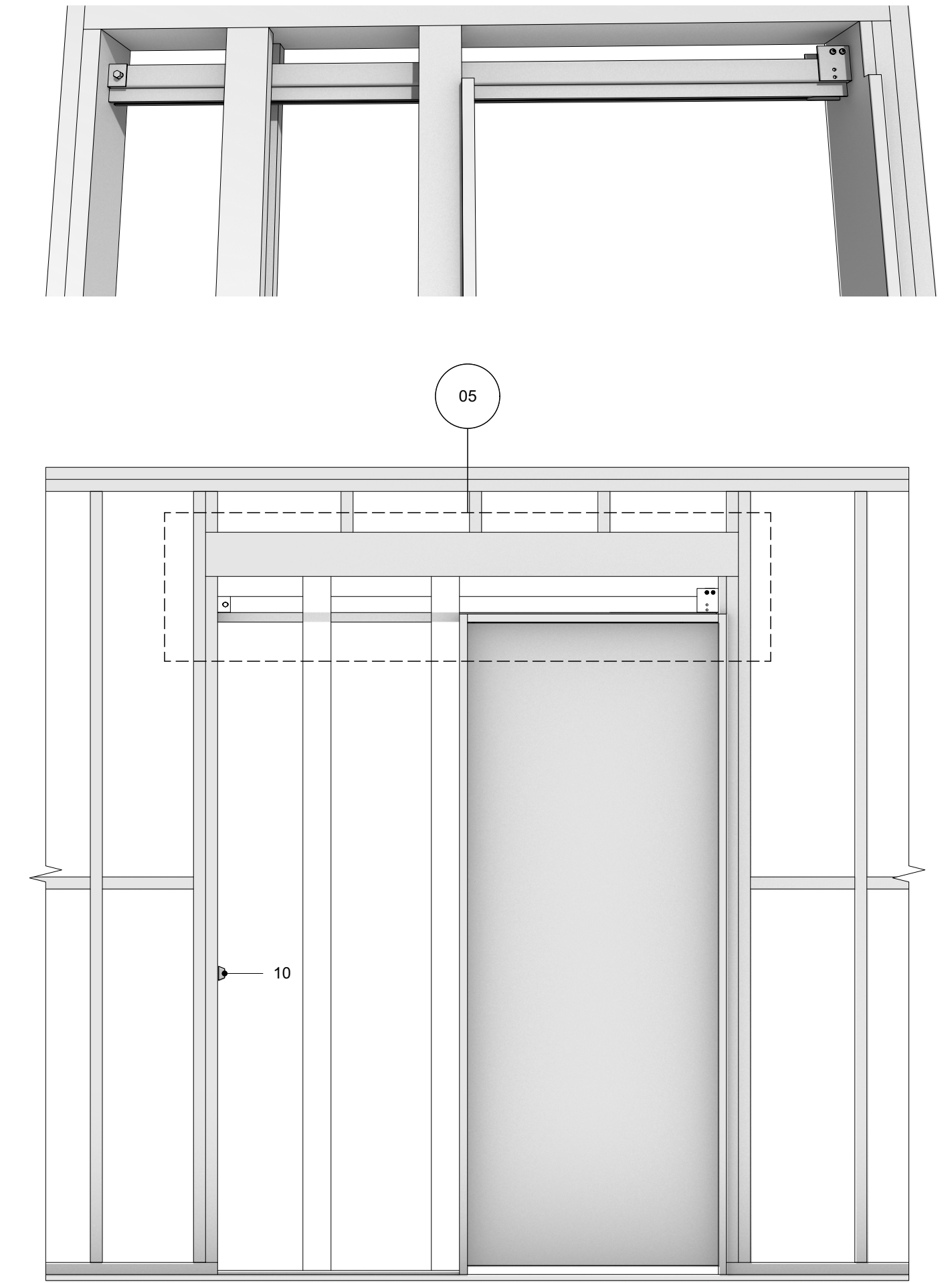


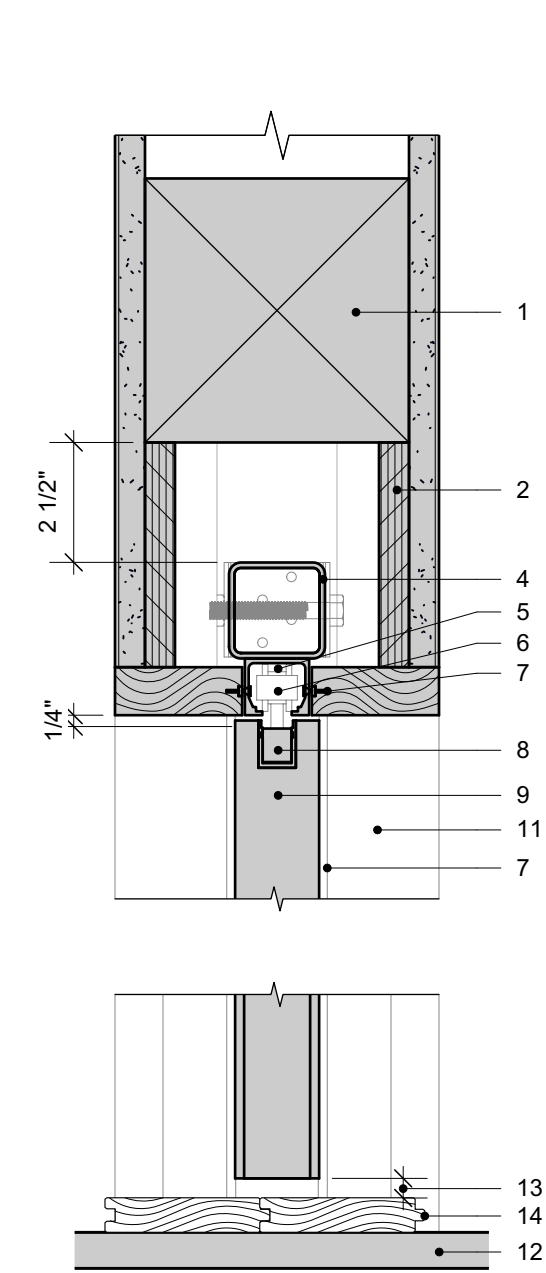
PPDS Assembly Elevation 01
3/4" = 1'-0"



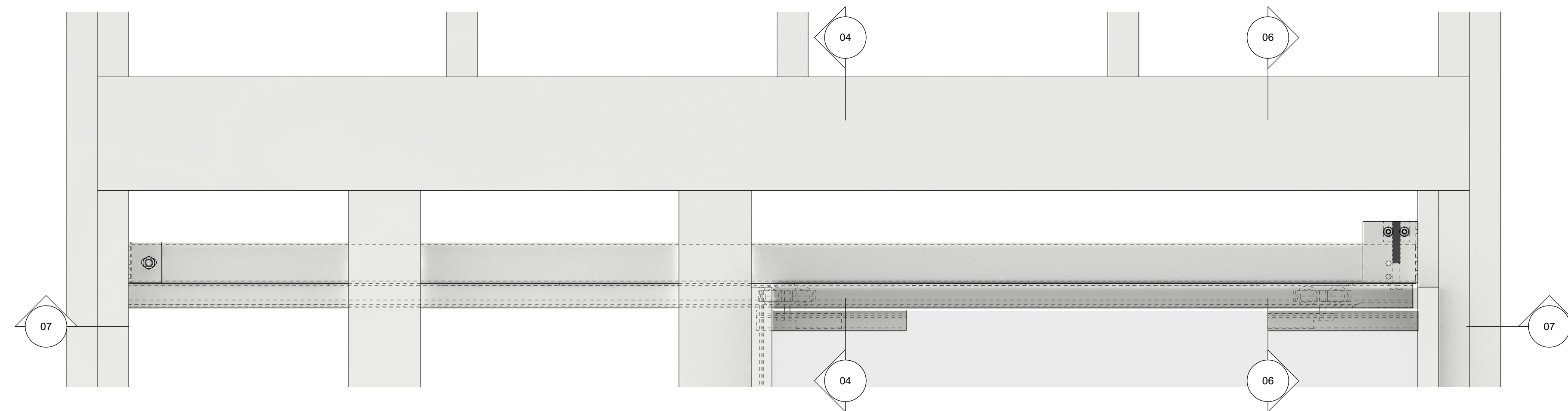
PPDS Assembly Elevation 02
3/4" = 1'-0"



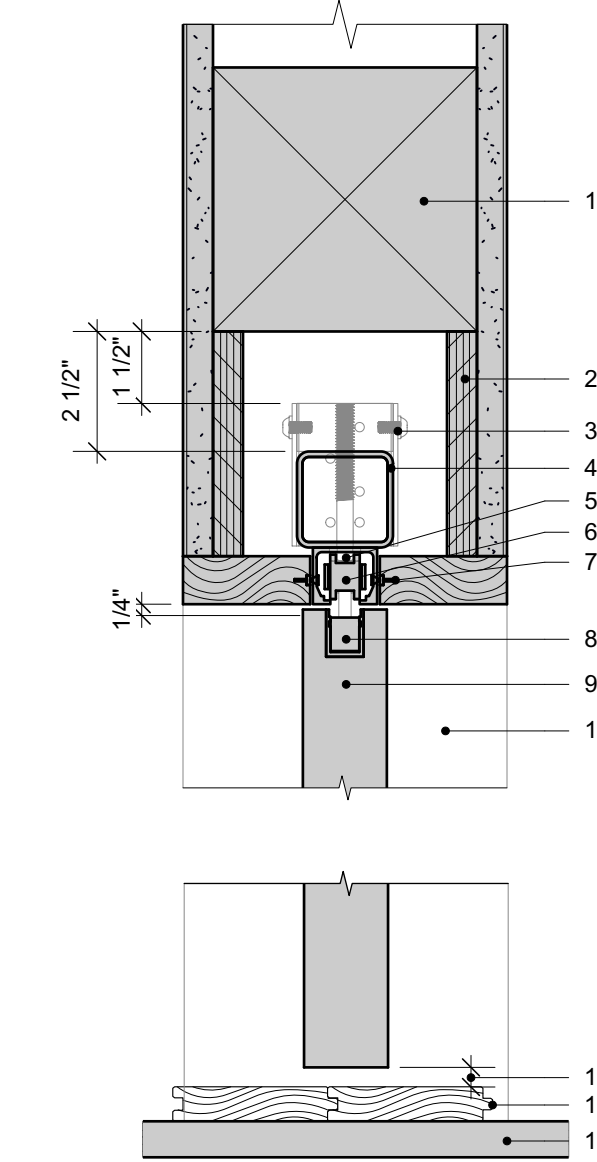
PPDS Assembly Elevation 03
3/4" = 1'-0"



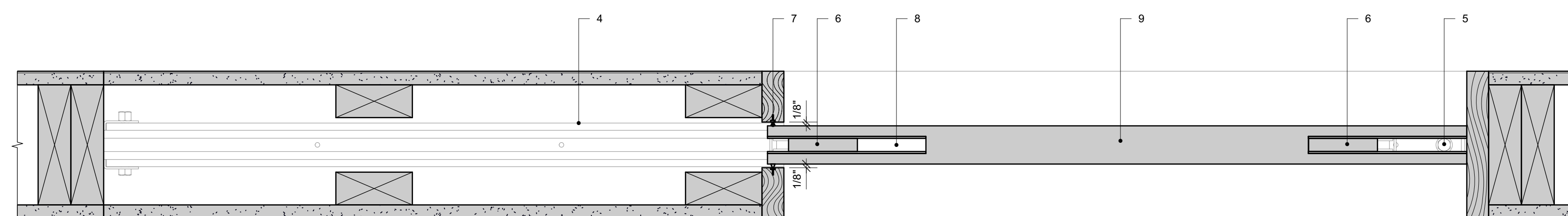
Section Detail 04
3" = 1'-0"



PPDS Assembly Enlarged Elevation 05
3" = 1'-0"



Section Detail 06
3" = 1'-0"

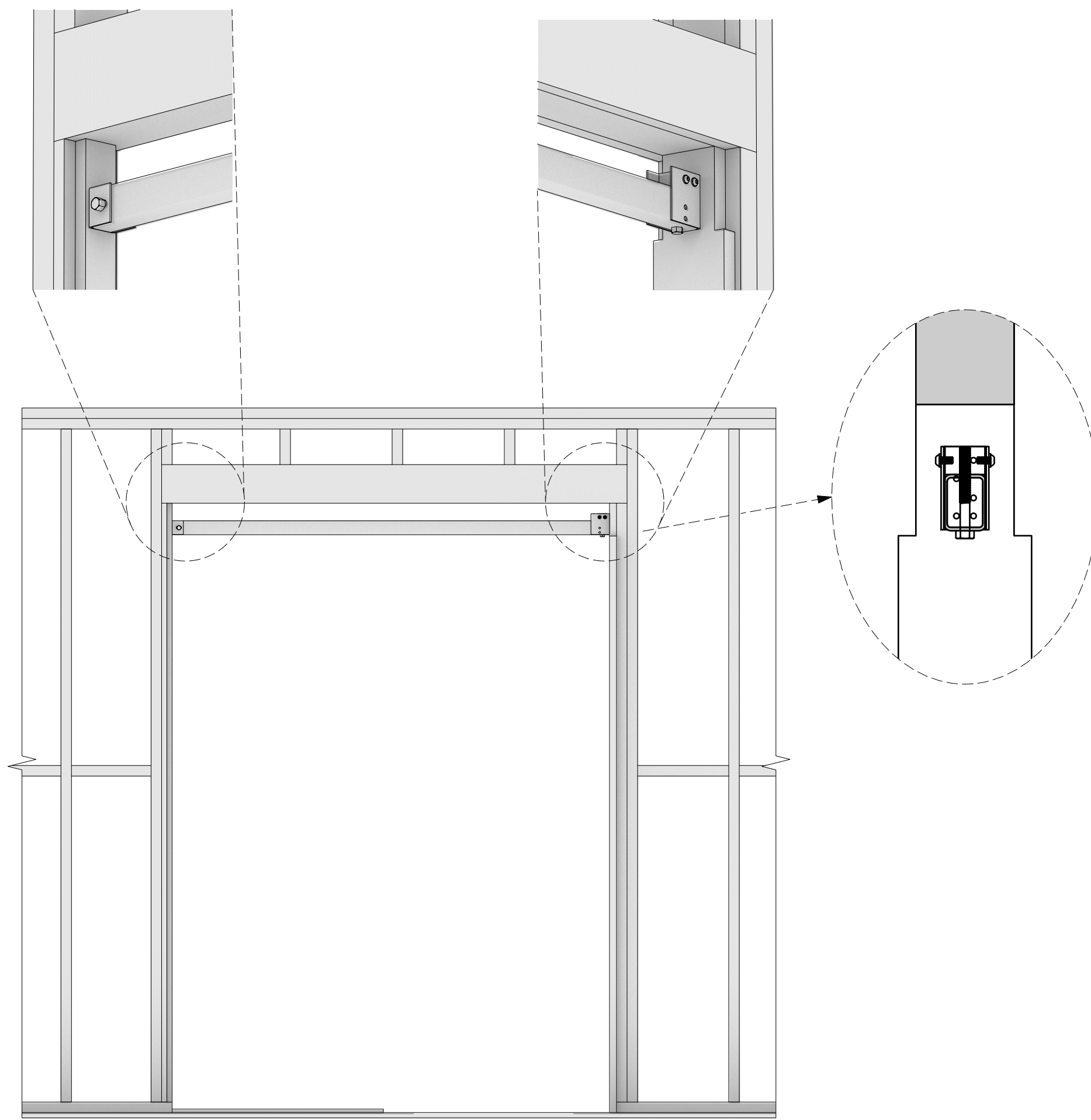


Section Detail 07
3" = 1'-0"

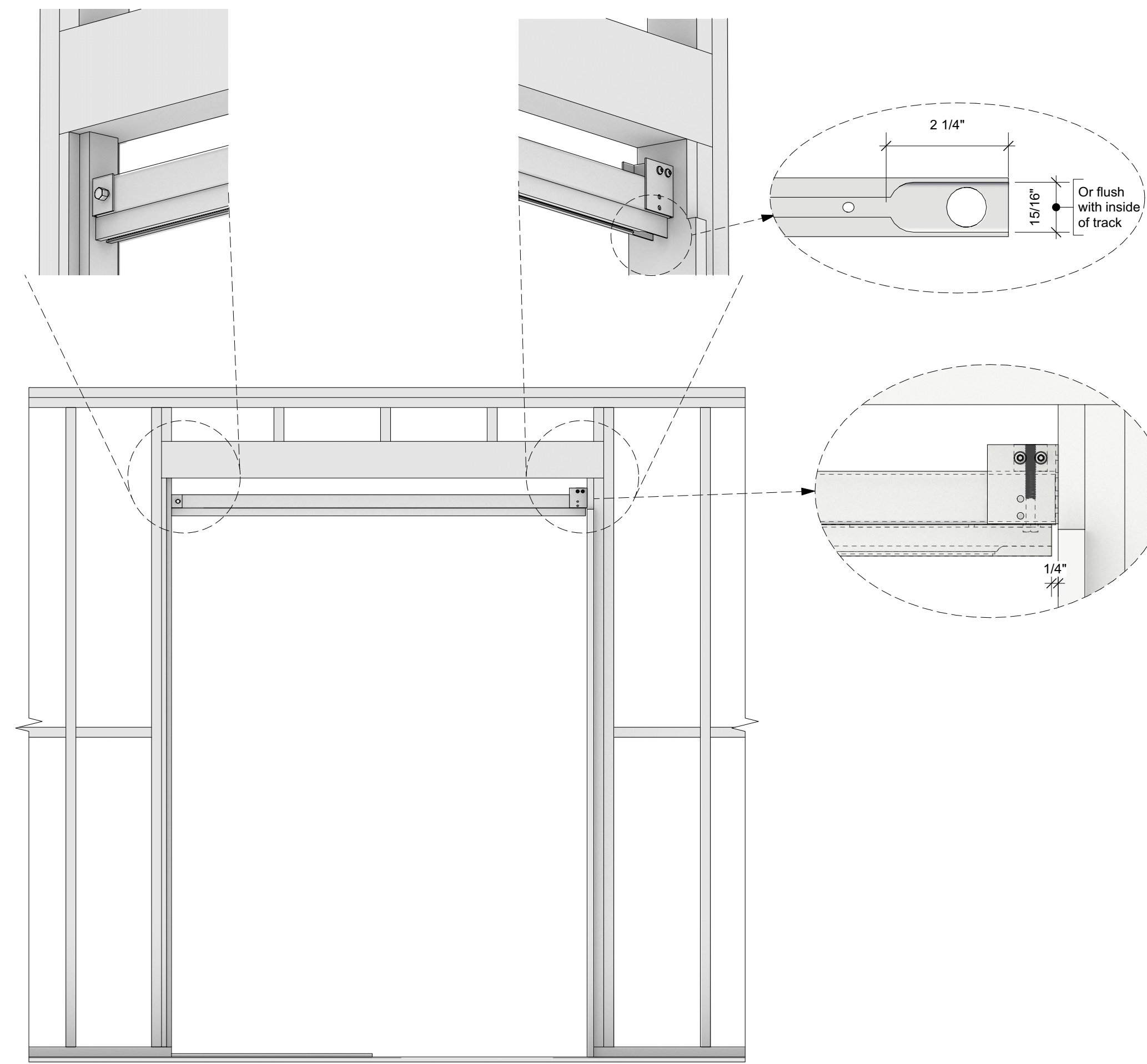
PPDS Assembly Notes - 2x6 Wall System

1. Header (By Other)
2. Plywood nailers. Install using A-35 hangers.
3. PPDS adjustable support bracket, shown beyond. Mounted against the door opening side trimmer stud.
4. PPDS bar. Bar to be adjusted to level position using vertical adjustment bolt.
5. PPDS vertical adjustment bolt. Shown beyond.
6. Hawa Junior 80/B trolley hanger assembly. Refer to manufacturers instructions.
7. Ultrafab Kerf Mounted Pile Weatherstripping.
8. Hawa Junior 80/B door leaf insert. Refer to manufacturers instructions.
9. Door leaf. 1-3/4" leaf.
10. Bumper
11. Jamb. Shown beyond.
12. Sub-floor.
13. Recommended door clearance to be 1/4" above finish floor.
14. Finish Floor.

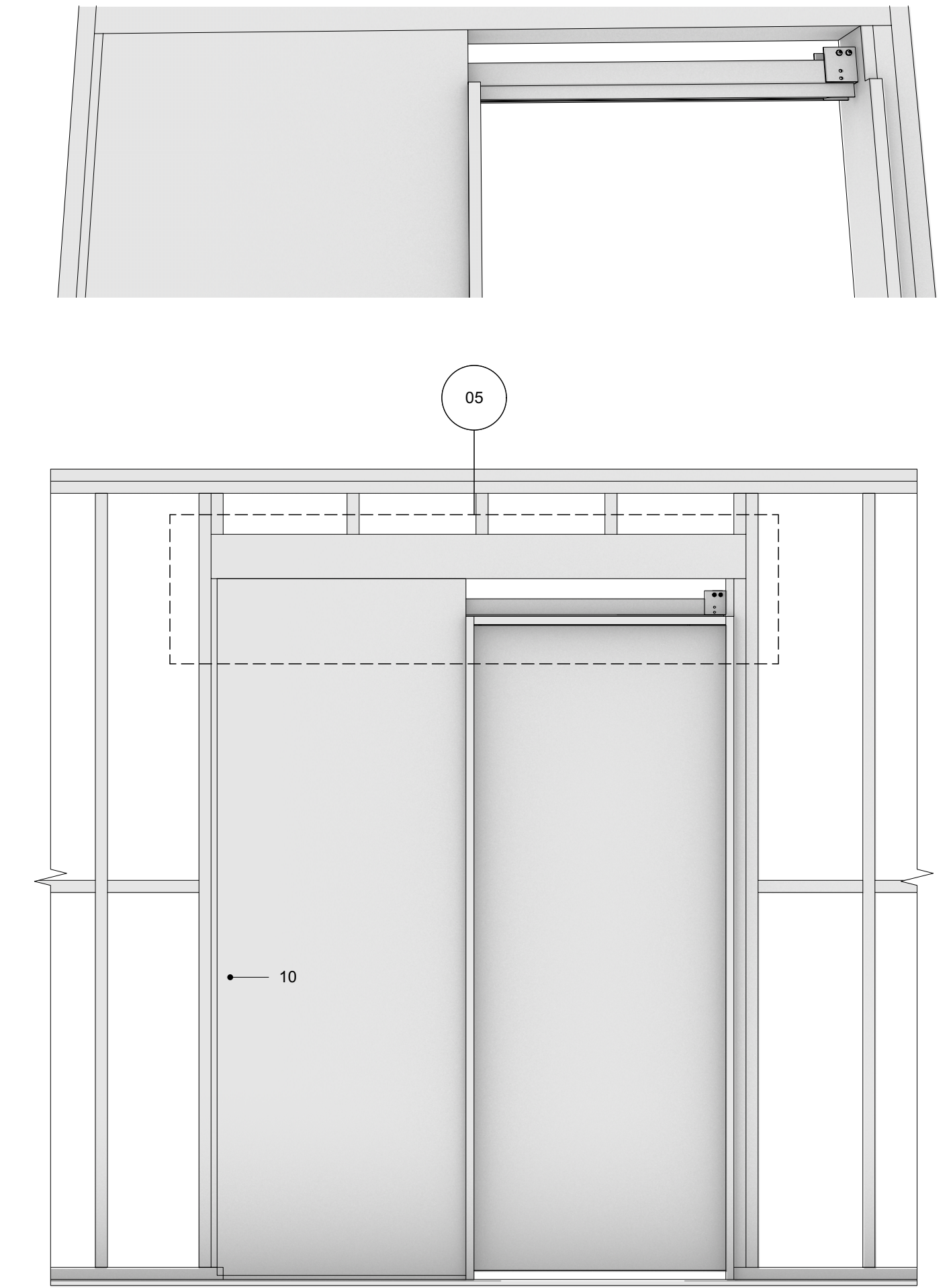
2x6 Wall System



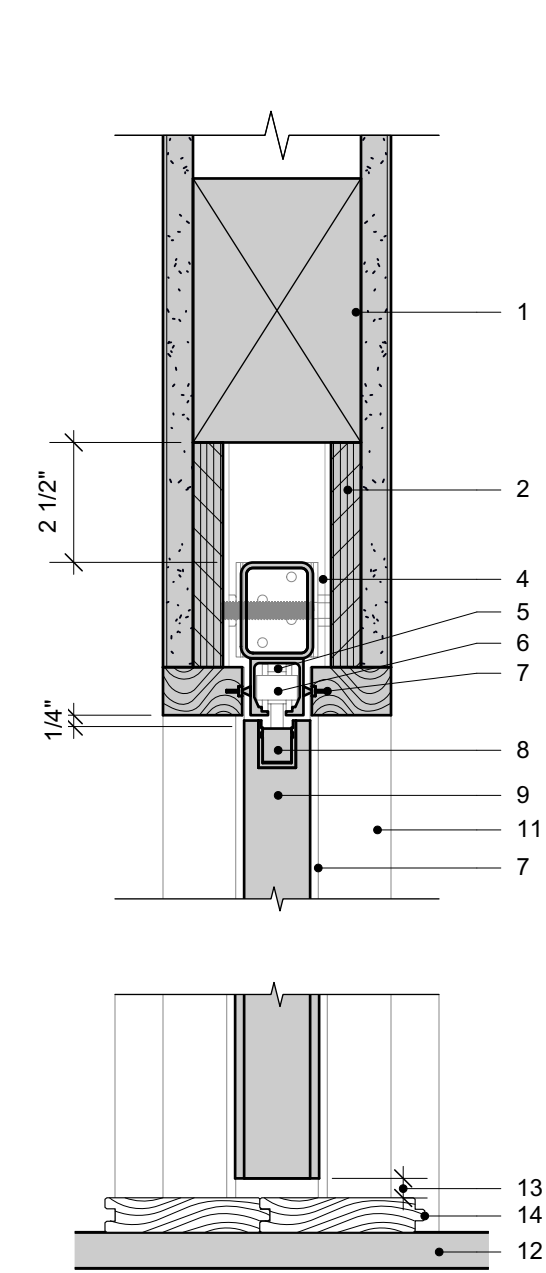
PPDS Assembly Elevation 01
3/4" = 1'-0"



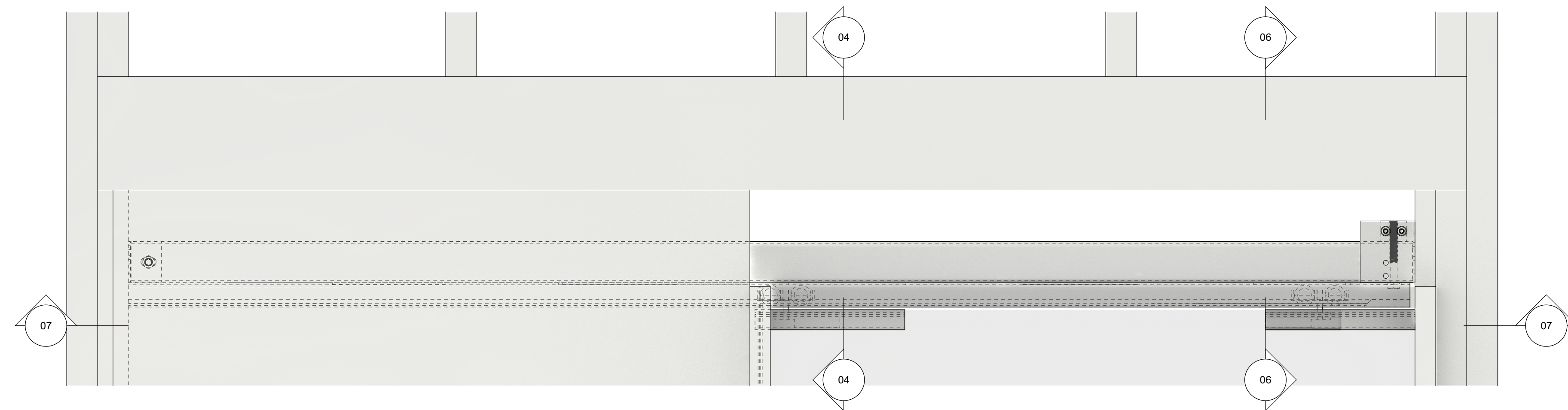
PPDS Assembly Elevation 02
3/4" = 1'-0"



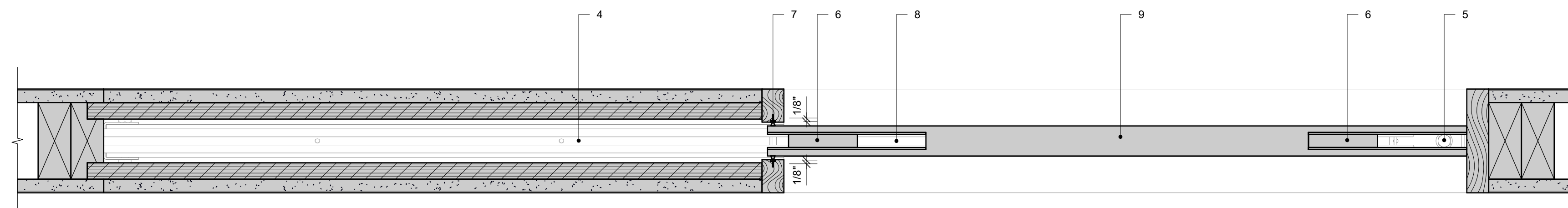
PPDS Assembly Elevation 03
3/4" = 1'-0"



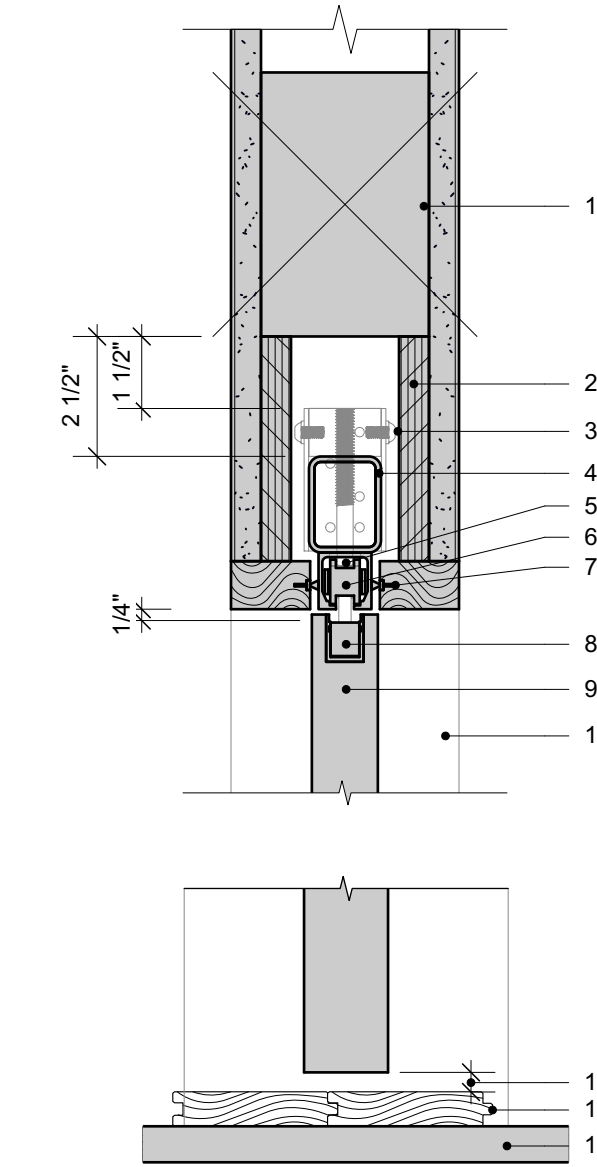
Section Detail 04
3" = 1'-0"



PPDS Assembly Enlarged Elevation 05
3" = 1'-0"



Section Detail 07
3" = 1'-0"



Section Detail 06
3" = 1'-0"

PPDS Assembly Notes - 2x4 Wall System

1. Header (By Other)
2. Plywood nailers. Install using A-35 hangers.
3. PPDS adjustable support bracket, shown beyond. Mounted against the door opening side trimmer stud.
4. PPDS bar. Bar to be adjusted to level position using vertical adjustment bolt.
5. PPDS vertical adjustment bolt. Shown beyond.
6. Hawa Junior 40/B trolley hanger assembly. Refer to manufacturers instructions.
7. Ultrafab Kerf Mounted Pile Weatherstripping.
8. Hawa Junior 40/B door leaf insert. Refer to manufacturers instructions.
9. Door leaf. 1-3/8".
10. Bumper
11. Jamb. Shown beyond.
12. Sub-floor.
13. Recommended door clearance to be 1/4" above finish floor.
14. Finish Floor.

2x4 Wall System