



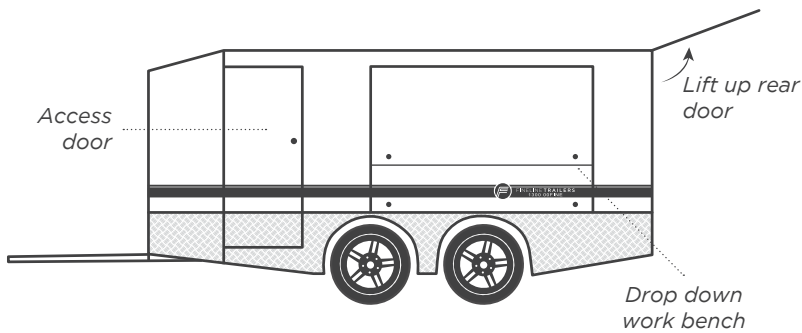
SOUTHERN // TRACK 2 PREMIUM

\$29,900 incl. GST (registration and freight not included)

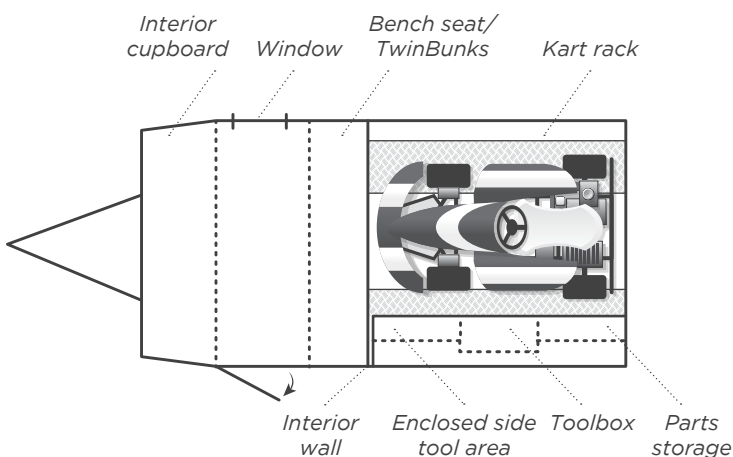
Compact and practical design for two go karts and all your gear. Sleep, eat and race.

The Southern Track 2 Premium tandem axle trailer has kart racks for two go karts and features an enclosed side tool area to pit from. The extra front living space with built in beds provides comfort and relief at the track. With practical spaces for all your race gear and spare parts you can simply leave the trailer packed, then hook it on and go.

DESIGN



FLOOR PLAN



DIMENSIONS

- Overall width: 2020mm
- Internal height: 1525mm
- Internal length: 4300mm
- Overall length: 5400mm

Package Inclusions:

- 3 Year Warranty
- Spare wheel
- Slide out top kart rack
- Exterior work bench door
- Interior cupboard with stainless bench top
- 3 Interior lights
- Internal dividing wall
- Bench seat with fold-up backrest as bunk (675mm x 1950mm)
- Window
- 24" Smart TV
- Air compressor
- Air hose with reel
- 8 drawer toolbox
- Parts storage system
- 12v Battery
- 12v USB socket
- 12 v cigarette socket
- 240v caravan plug with double power point
- Hard wired battery charger
- Fibreglass roof
- Enclosed side tool area with lift up door
- Lift up rear door
- Passenger side access door
- LED lights
- Enclosed drawbar
- Swing away jockey wheel
- Go Kart Tie down points
- Weather proof door seals
- Keyed alike T locks
- Number plate light

Specifications:

- Tare Weight (approx.): 980kg
- GVM: 2000kg
- Ball Weight (approx.): 100kg
- Suspension: Roller rocker
- Axle: Straight 45mm
- Brakes: Mechanical disc
- Hitch: Override 3400kg
- Wheels: 16" Alloy Gloss black mag
- Tyres: Load rated 225/55/16
- Hub pattern: 5 stud Commodore

Materials:

Australian made blue steel

- Chassis: 25mm x 50mm x 3mm
50mm x 50mm x 3mm
- Sub frame: 25mm x 25mm x 1.6mm
25mm x 50mm x 2.5mm
- Drawbar: 100mm x 50mm x 3mm
- Paint: Charcoal Zinc Electro Static sprayed
- Floor: 3mm Aluminium tread
- Exterior: 3mm Aluminium composite panel
- Exterior colour choices: Gloss white or metallic charcoal
- Roof: 2.6mm Fibreglass
- Trim: Black join angle
Black propeller chip skirts