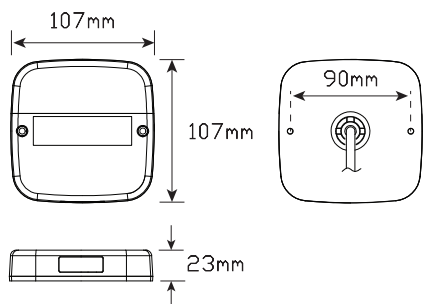


# 99 Series Small Vehicle/Trailer

- Budget Range Trailer Lamps
- ECE Australian Road Approved
- Inbuilt Licence Plate Lamp
- Small Harness Compatible
- 10 Metre Cable Option Available
- IP67 Rated

<b>Function</b>	Stop/Tail/Indicator Licence/Reflector		
<b>Size</b>	107mm x 107mm x 23mm		
<b>Voltage</b>	12 Volt or 12-24 Volt		
<b>LED Qty</b>	8 + Licence		
<b>Cable</b>	40cm of 10m		
<b>Draw</b>	<b>Stop</b>	<b>Tail</b>	<b>Ind</b>
<b>@13.8V</b>	0.07A	0.05A	0.08A
<b>@28V</b>	0.07A	0.06A	0.06A

<b>Approvals</b>	<b>Function</b>	<b>Approval No.</b>
<b>ECE</b>	Stop/Tail	R1-S1-E9-02.6877
<b>ECE</b>	Indicator	2a-E9-01.6877
<b>ECE</b>	Licence	L-E9-00.6877
<b>ECE</b>	Reflector	IA-E9-02.6877



Stop/Tail/Indicator/Licence/Reflector, with 4 Pin Plug

- 99ARM1.14P** - 12-24V, with 4 Pin Plug, Bulk
- 99ARLM4P** - 12-24V, Licence, with 4 Pin Plug, Bulk



Stop/Tail/Indicator/Licence/Reflector

- 99AR** - 12V, Bulk
- 99ARM** - 12-24V, Bulk
- 99ARL** - 12V, with Licence, Bulk
- 99ARLM** - 12-24V, with Licence, Bulk
- 99ARL2** - 12V, Twin Blister LHS/RHS
- 99ARLM2** - 12-24V, Twin Blister LHS/RHS



**Harness System Compatibility**

Stop/Tail/Indicator/Licence/Reflector, 10 Metre Cable

- 99ARM10** - 12-24V, 10m Cable, Bulk
- 99ARLM10** - 12-24V, with Licence, 10m Cable, Bulk

## Fitting Instructions

Surface mount onto flat surface vertically with Indicator at top using bolts in back of lamp, run wire and plug through 10mm hole in fixing surface. Please refer to ADR 13/00 for mounting instructions.

**ECE**  
Approved

**100%**  
Water Proof

**5 Year**  
Warranty



All enquiries P: (03) 9466 7075 E: led@ledtech.com.au, www.ledautolamps.com

All efforts are made to ensure all information is correct and up to date, it can be subject to change without notice. All measurements are in millimeters (mm) and are not to scale.

© All LED Technologies designs are registered throughout the world. - Current as of 03/10/2018