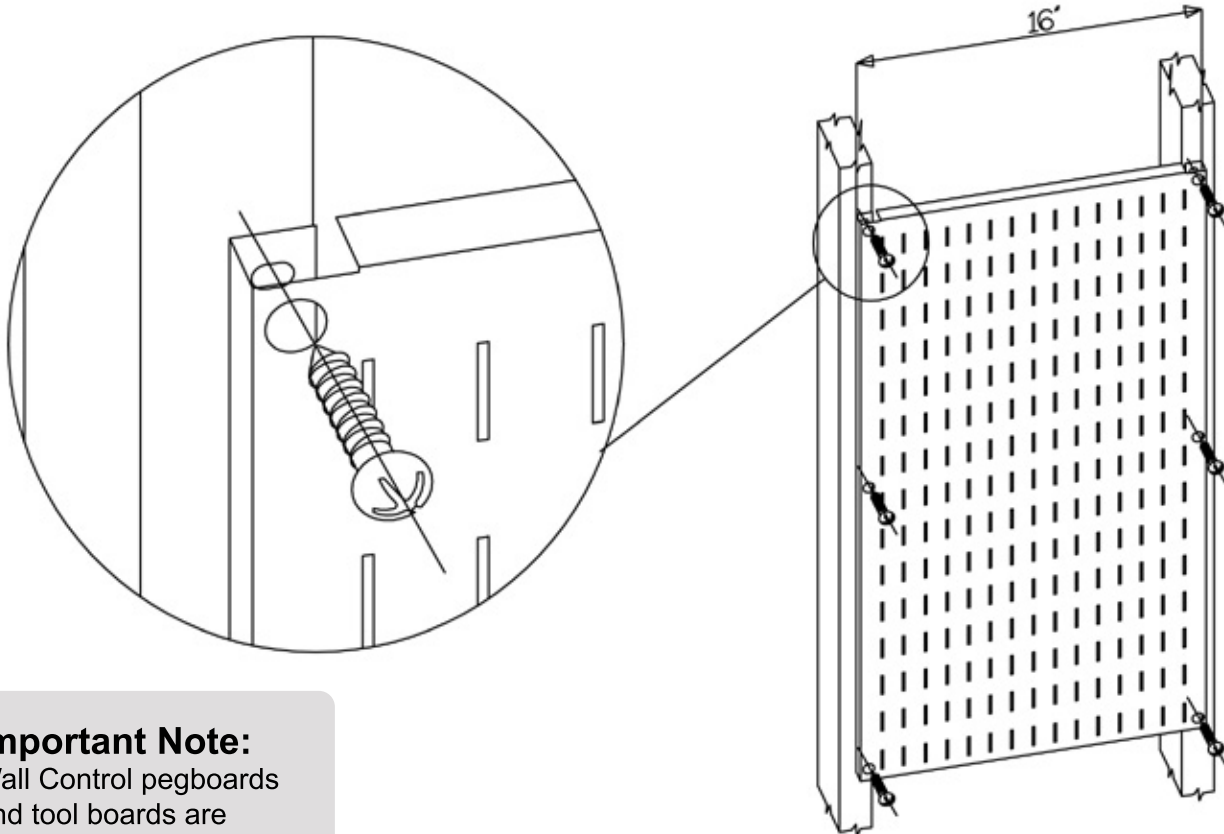


CUSTOM PRINTED STEEL PEGBOARDS

Installation & Assembly

Panels into Studs

Warning: Due to sheet metal edges, Wall Control strongly recommends the use of gloves while installing metal pegboard panels



Important Note:

Wall Control pegboards and tool boards are designed to be mounted directly into framing (or through drywall into framing) with the screws provided. Attachment with the included screws to any other surface is not recommended without utilizing proper anchors or otherwise consulting with a knowledgeable hardware representative prior to installation

Step 1: Align edge of Wall Control panel with centerline of stud.

If mounting into studs through drywall, use a stud finder or small nail to locate the stud center

Slots should be vertical for use with Wall Control Accessories

Step 2: Mark the (6) mounting hole positions on wall or stud

Step 3: Move panel and drill 1/8" diameter holes at marked positions for provided mounting screws

Step 4: Attach panel to wall with the (6) #12 x 1-1/4" screws provided. Do not fully tighten screws until all screws have been started and the panel is level

Quick Tip: Mounting to surfaces other than studs or drywall is typically fairly similar and simple. It might only require a trip to your local hardware store for the correct fasteners