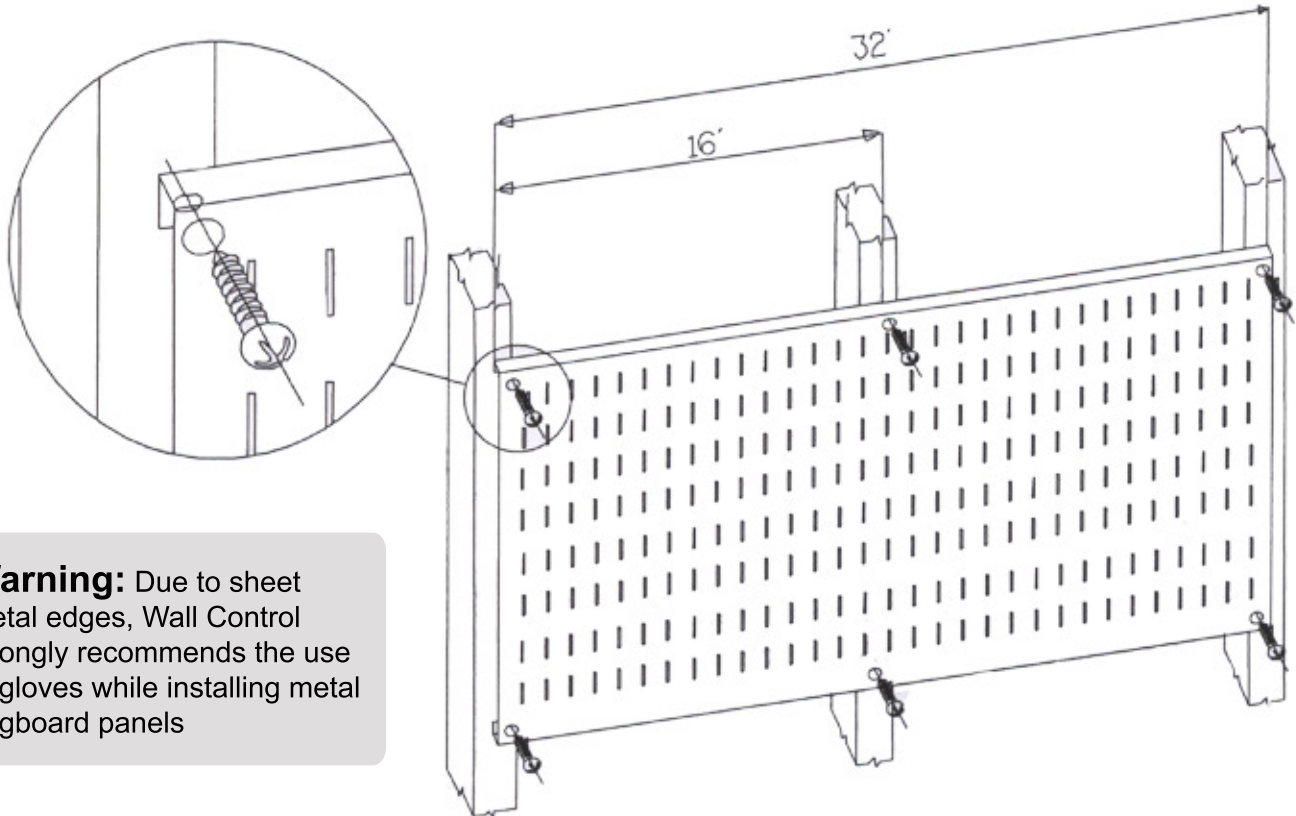


CUSTOM PRINTED STEEL PEGBOARDS

Installation & Assembly

Horizontal Panel



Warning: Due to sheet metal edges, Wall Control strongly recommends the use of gloves while installing metal pegboard panels

Slots should be vertical for use with Wall Control Accessories

Step 1: Align edge of panel on centerline of stud if possible, otherwise utilize included drywall anchors for installation.

If possible, align panel joint on centerline of the stud (for conventional 16in stud spacing it is possible to anchor to studs along the length of the install if studs are true 16in on center and the first panel is aligned along the centerline of the first stud)

On all holes where a stud is not accessible, the provided plastic hollow wall anchors can be utilized in lieu of contact with a stud. Mark the hole position and drill a hole that can accommodate the anchor used.

Quick Tip: Stripping out the mounting holes in sheetrock with the screws included create a perfect sized hole to hammer the provided anchors into

Step 2: Mark (6) mounting hole positions on wall or studs

Step 3: Move panel and drill 1/8 inch diameter holes at marked positions

Step 4: Attach panel to wall or studs with the (6) #12 x 1-1/4in mounting screws provided

Quick Tip: Do not tighten screws until all screws have been started and panel is level