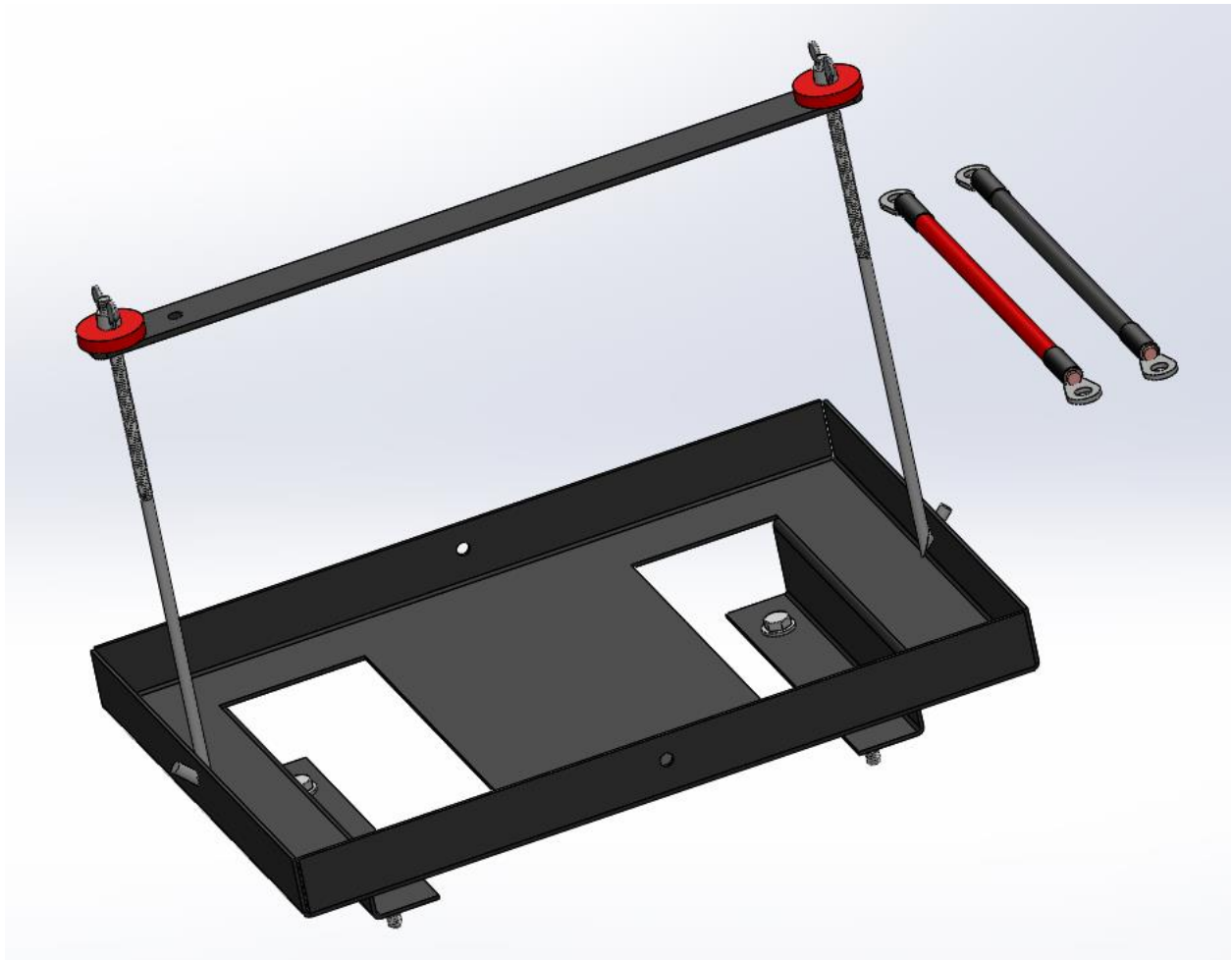


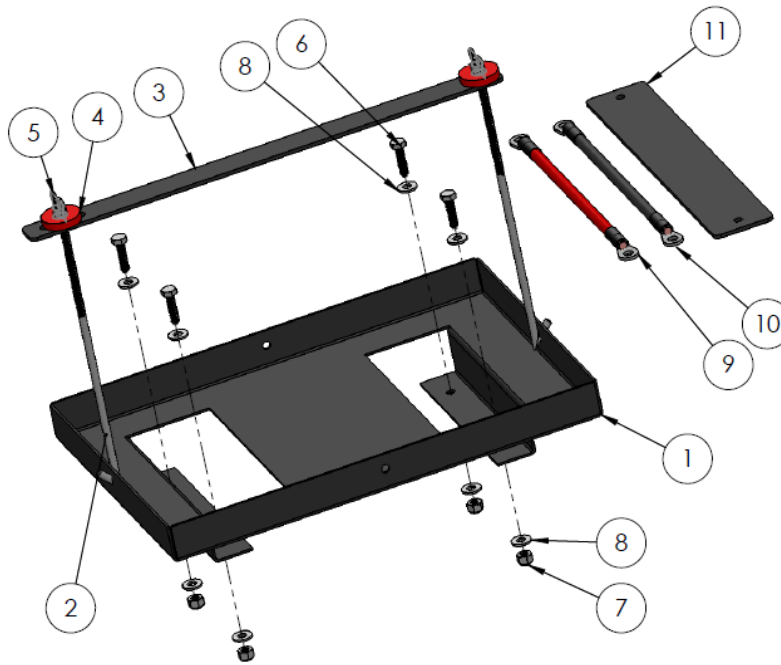


Enhanced Performance Systems



Dual Battery Tray Installation Manual

Parts



ITEM NO.	DESCRIPTION	QTY.
1	Battery Tray	1
2	J-Hook	2
3	12V Battery Retention Strap	1
4	Rubber Washer	2
5	Wing Nut	2
6	1/4" - 20 Screw	4
7	1/4" - 20 Nylock Nut	4
8	1/4" Washer	8
9	Positive Lead	1
10	Negative Lead	1
11	6V Battery Retention Strap	1

Tools and Materials



- Drill with 1/4" Bit



- 7/16" Wrench or Socket



- Assistant

Procedures

Step one: Remove Original Battery Box

Inside the propane / battery / storage box on the trailer's tongue remove the lid from the factory installed battery box, disconnect all leads from battery (ensure you identify the proper wires for the positive and negative battery terminals). Remove the battery. Remove any fasteners that attached the battery box and remove it.

Step two: Drill Mounting Holes

Place the EPS battery tray inside the frame the original battery box was removed from. The battery tray should fit freely with some free play. Slide the tray to the forward part of the frame and use the mounting holes in the bottom of the tray as a guide to drill four 1/4" holes in the frame.

Step three: Bolt the Battery Tray to the Frame

Insert the four-mounting screw through the battery tray and frame with washers. Place another washer and nut on the bottom of the screw and tighten.

Step four: Install Batteries

Place one J-hook in each of the holes in the front and rear of the battery tray. Install batteries and slide to the front of the battery tray. Install the retention strap, the end with two holes goes to the front of the trailer. If using small footprint batteries, the J-Hook will go through the second hole, farthest from the end of the retention strap. If using larger footprint batteries use the hole closest to the end of the strap. Place the rubber washers and wingnuts on the J-hooks. Before tightening ensure the retention, strap is not contacting the body of the trailer.

Step five: Install Wiring

When wiring two 12-volt batteries ensure you connect the positive and negative terminals of each battery together with the supplied leads. Reconnect the original wires to the trailer ensuring to attach them to the proper terminals of the battery.

Note for Installing 6-Volt Batteries

If installing two 6-volt batteries some additional modifications may be necessary. 6-volt batteries are generally taller than 12-volt batteries and may require that the propane / battery / storage box be relocated slightly forward, and to use the 6V Battery Retention Strap. Additionally, when installing 6-volt batteries they must be wired in series, attach the negative of one battery to the positive of the other.