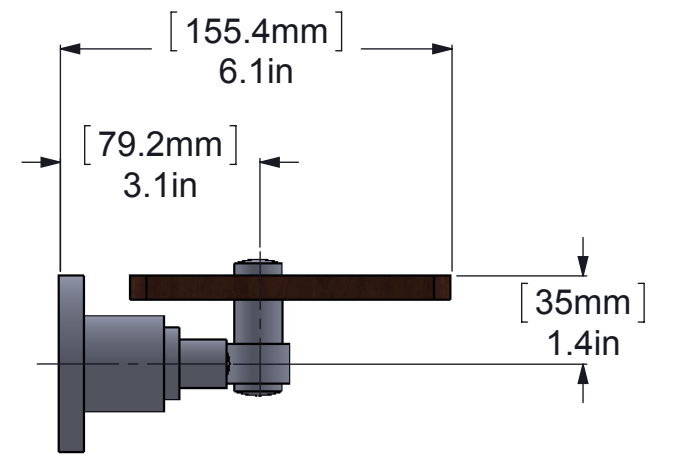
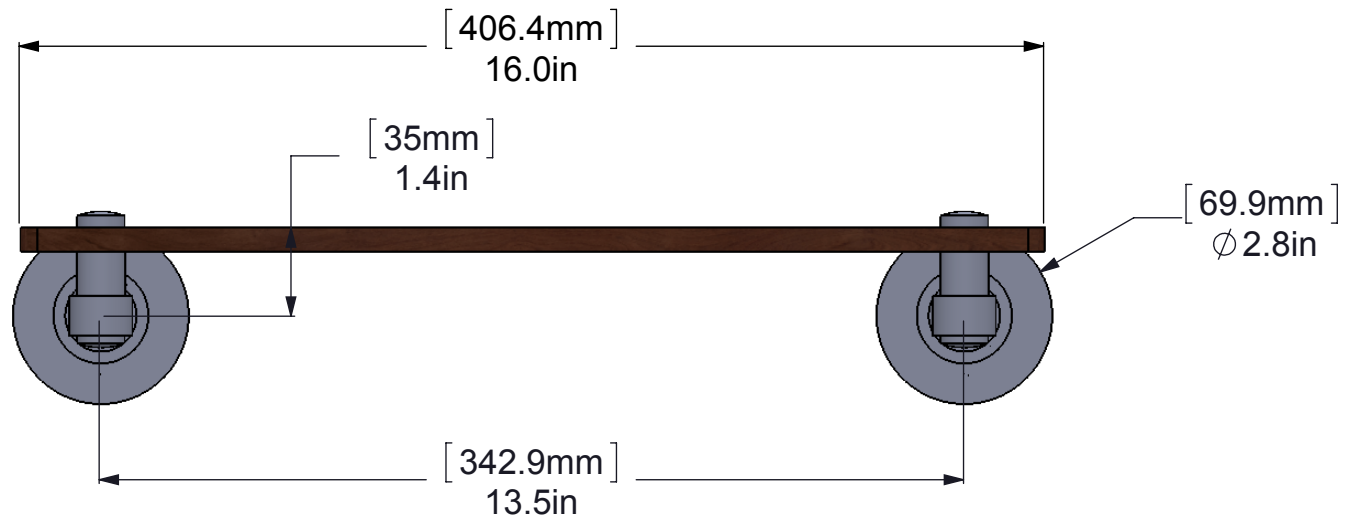
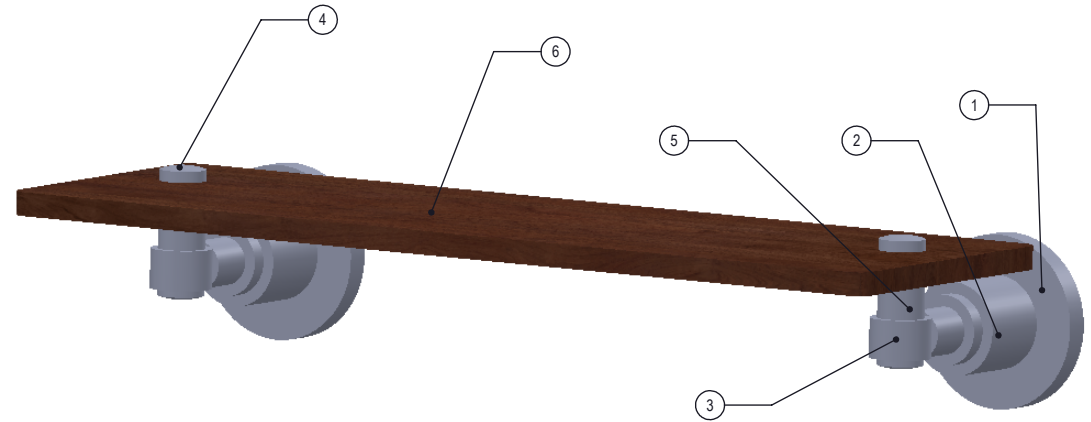


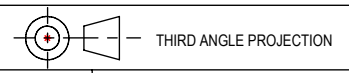
ITEM NO.	PART NUMBER	DESCRIPTION	QTY.
1	BPRD	Base	2
2	WASP	NECK	2
3	HBT-1	Hub	2
4	CARD-34	END CAP	4
5	TU34-0.75	TUBE	4
6	IRWRT-16	IPE SHELF	1



UNLESS OTHERWISE STATED

.X	±.3mm
.XX	±.15mm
.XXX	±.008mm

COPYRIGHT © Allied Brass 2017



DRAWN	5/5/2017	I.M
CHECKED	5/5/2017	P.D
APPROVED	5/5/2017	R.A

MATERIAL: BRASS
 DESCRIPTION: Washington Square Collection Solid IPE Ironwood Shelf

FINISH	TBD
QUANTITY	TBD
DRAWING No.	REV
WS116IRW	0
SCALE	1:3 SHEET: 01 A4