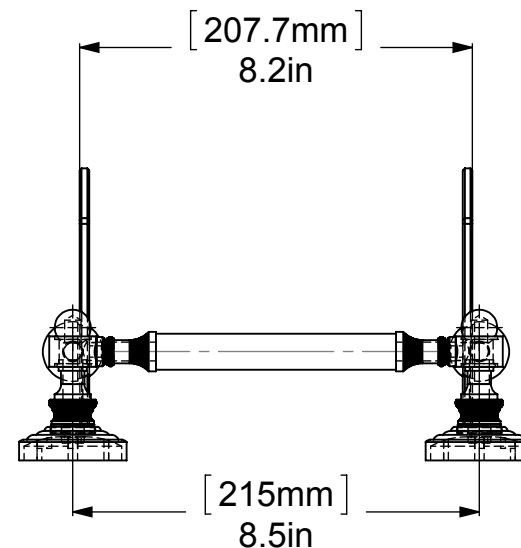
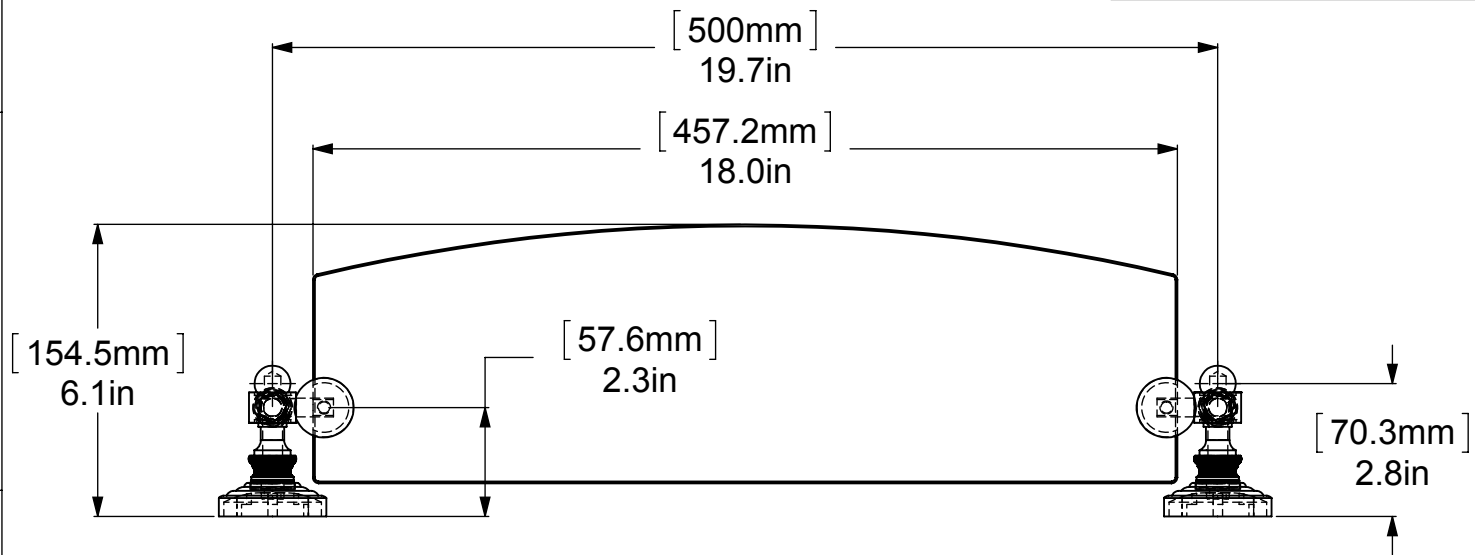
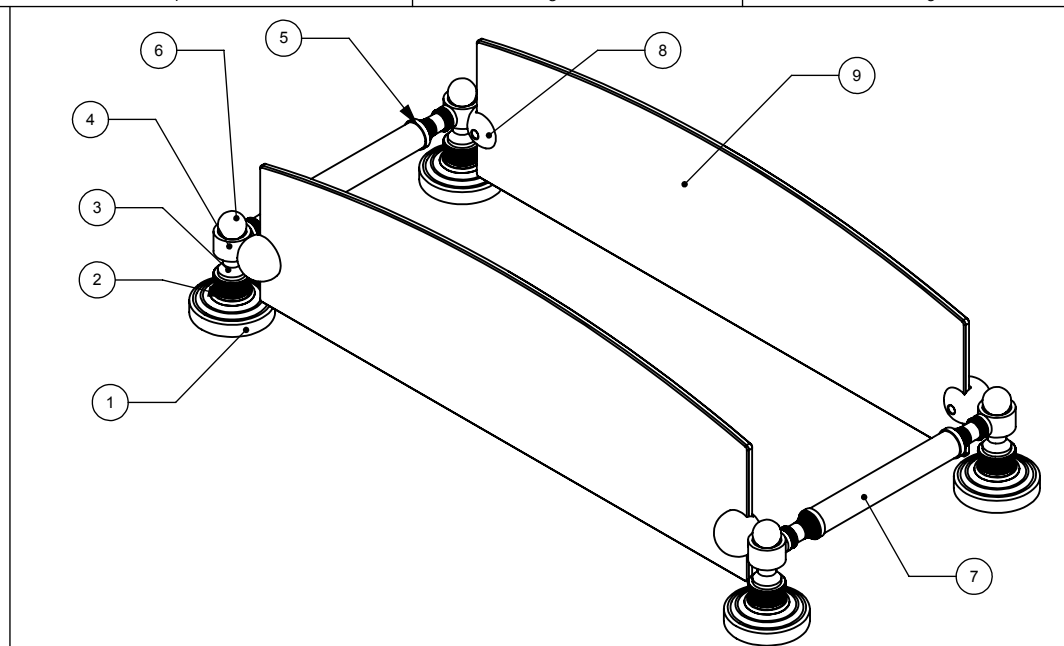


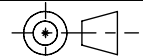
ITEM NO.	P/N	DESCRIPTION	QTY.
1	BPWV	BASE	2
2	NKSL-58	Support	4
3	NKSL-78	Neck	4
4	HB2T-1	Neck Support	4
5	NKSL-1.25	Neck	4
6	BL1T-34	End Ball	4
7	TU34-5	Connecting Tube	2
8	BLSH-1.25	Lock	4
9	GLBV-18	Glass	2



UNLESS OTHERWISE STATED

.X	±.3mm
.XX	±.15mm
.XXX	±.008mm

COPYRIGHT © Allied Brass 2016



THIRD ANGLE PROJECTION

DRAWN	12/11/2016	I.M	MATERIAL:	BRASS	FINISH	TBD
CHECKED	12/11/2016	P.D	DESCRIPTION:	TWO TIERED GLASS SHELF	QUANTITY	TBD
APPROVED	12/11/2016	R.A			DRAWING No.	REV
					WP-34-18	0
SCALE		1:4	SHEET: 01		A4	