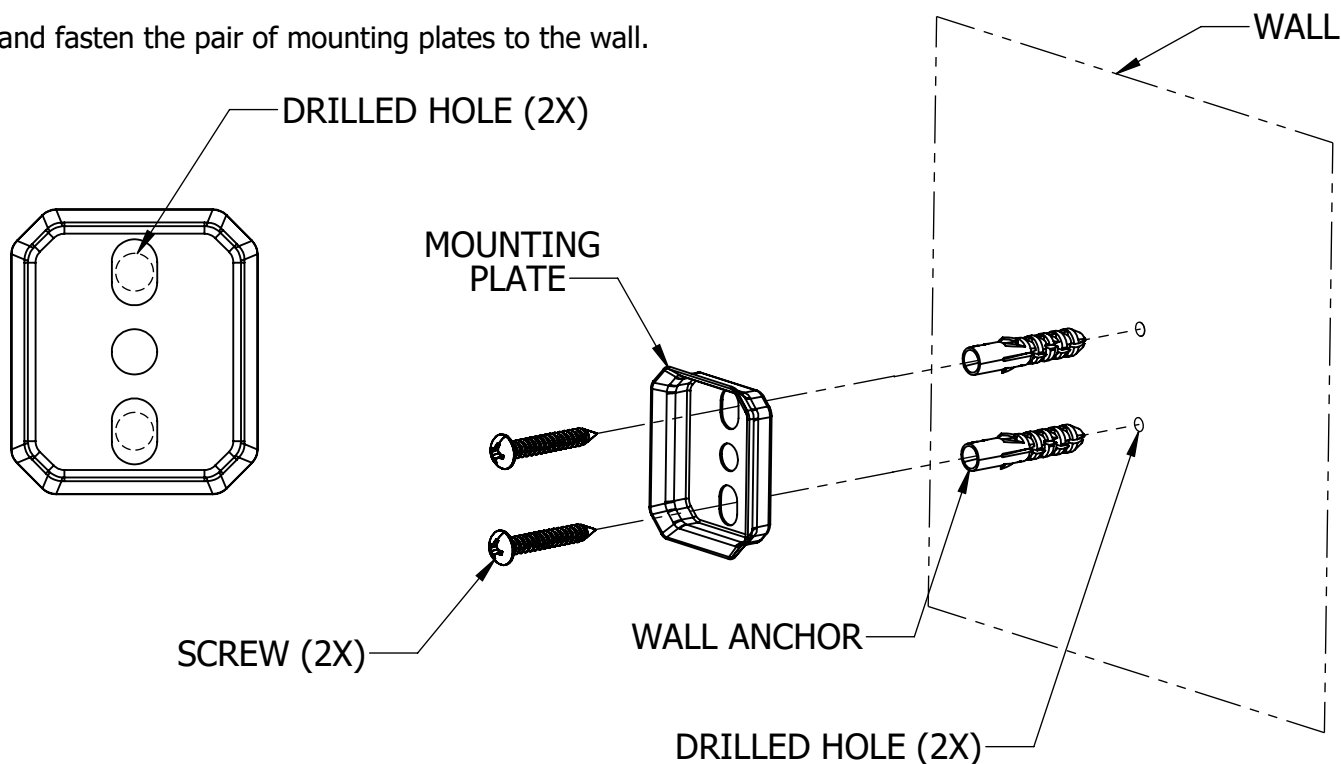


INSTALLATION INSTRUCTIONS

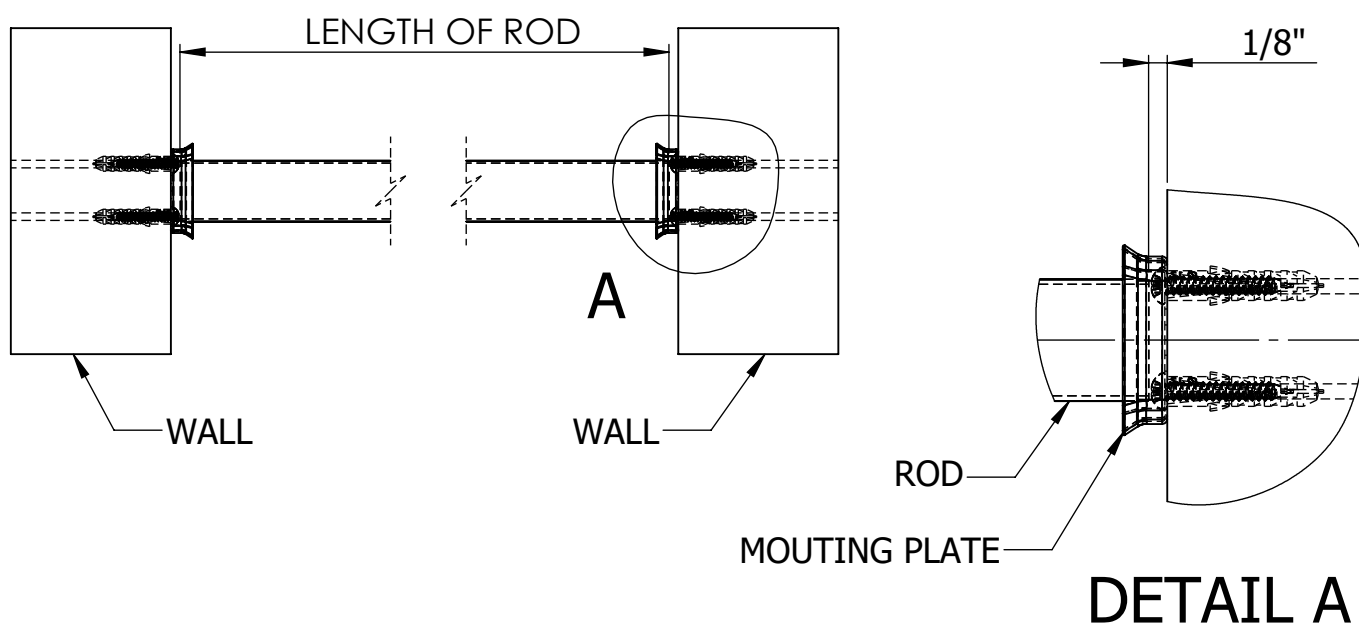
Step 1: Drill Holes in Wall for screws or screw anchors and attached Mounting Plates to Wall

- 1) Mark the locations on the opposite walls for the two screws that fasten each of the mounting plates.
- 2) Drill and fasten the pair of mounting plates to the wall.



Step 2: Measuring Length of Rod

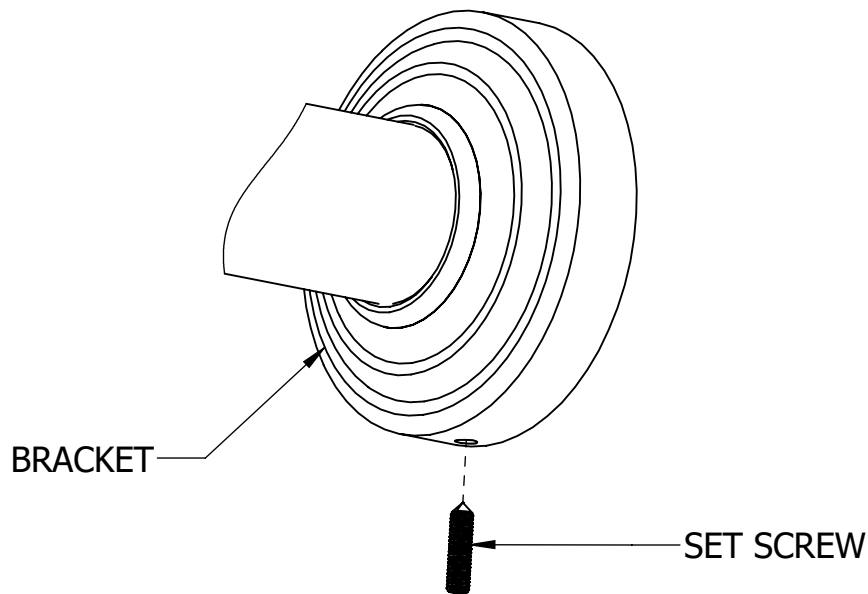
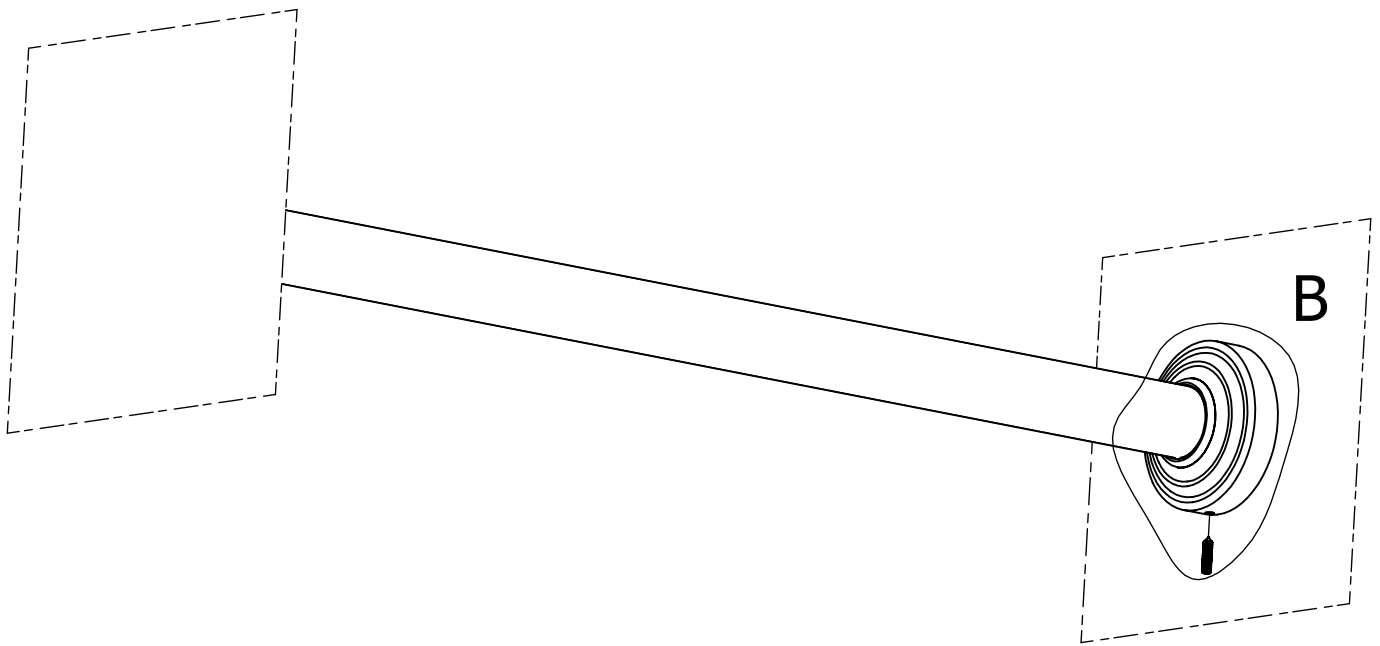
Measure between the insides of the two mounting plates and cut the curtain rod so it will be just 1/8" from the inside of each of the two mounting plates.



INSTALLATION INSTRUCTIONS

Step 3: Installing Brackets

Slide the two brackets onto the ends of the curtain rod. Hold the end of the rod up against the mounting plate and slide the bracket with the set screw facing down, up against the wall so it covers the mounting plate. Tighten the set screw and repeat on the opposite side.



DETAIL B