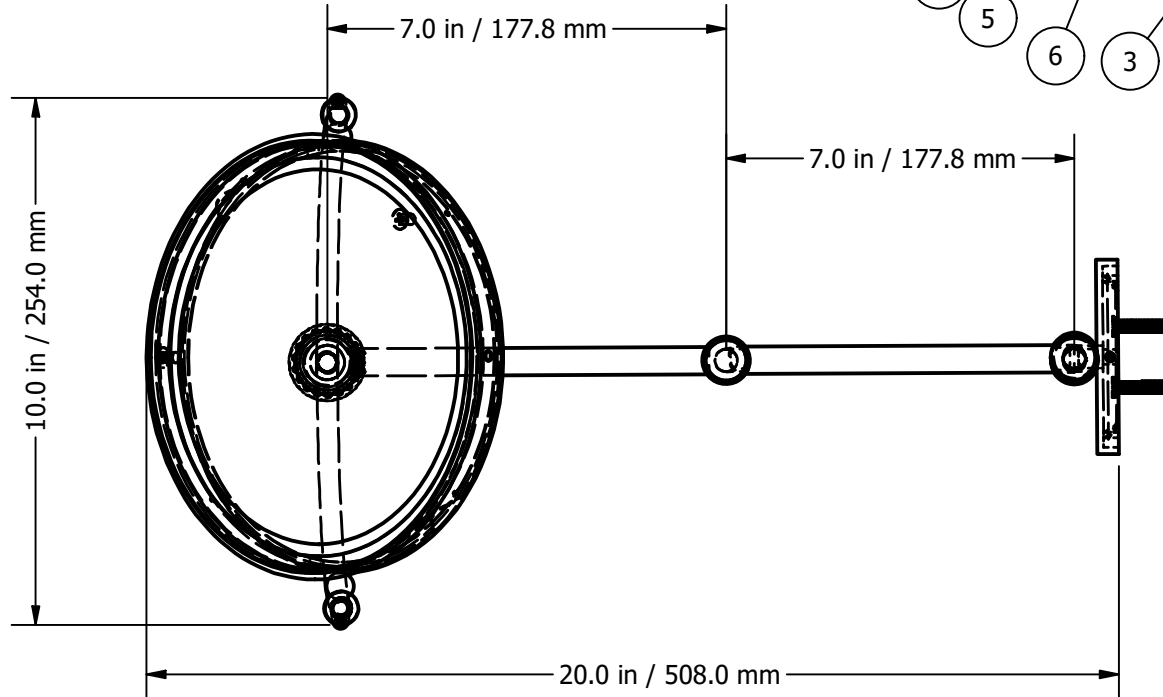
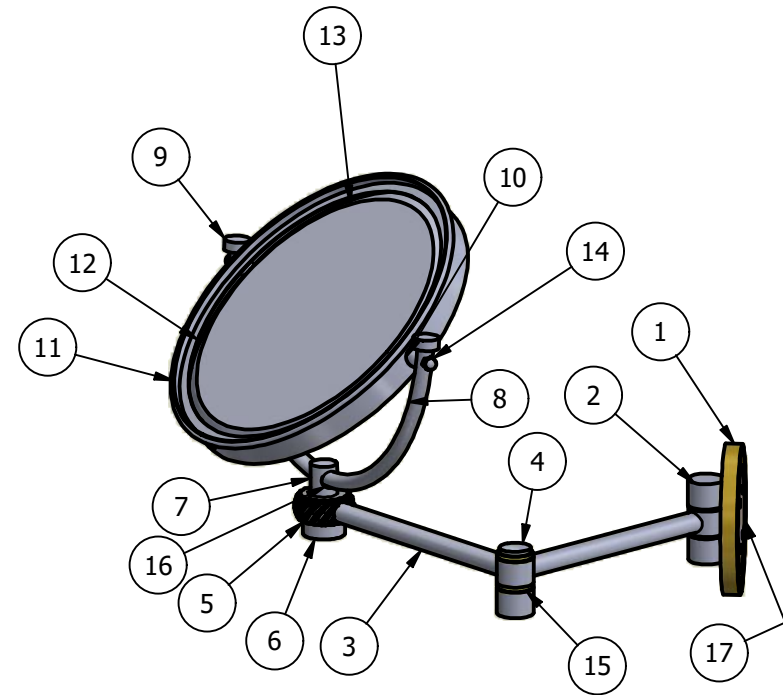




ITEM NO.	PART NUMBER	DESCRIPTION	QTY.
1	BPRDMR-4	BACK PLATE	1
2	HBBTT-78	HUB	5
3	TU12-6	TUBE	2
4	CARD-34	END CAP	1
5	RGTWD	CONNECTOR	1
6	Card-1	END LOCK	1
7	FTTDS	SWING SUPPORT	1
8	MRUBT-8	SWING TUBE	1
9	CARD-58	LOCK	2
10	BL1TL-12	END BALL	2
11	MROR34-8	MIRROR RING OUTSIDE	1
12	MRIN34-8.	MIRROR RING INSIDE	1
13	MIRROR	MIRROR	1
14	CN8-32 3D	HEX LOCK	2
15	CRRD-34	RING	4
16	CRRD-12	CHECKING RING	1
17	MP-BPRDMR	MOUNTING PLATE	1



UNLESS OTHERWISE SPECIFIED	
.X	± .3mm
.XX	± .15mm
.XXX	± .008mm

UNIT IS IN MM.

DRAWN	4-25-19	IM	COPYRIGHT @ALLIEDBRASS 2019  THIRD ANGLE PROJECTION
CHECKED	4-25-19	P.D.	
APPROVED	4-25-19	R.A.	

MATERIAL:	BRASS
DESCRIPTION:	8 Inch Wall Mounted Extending Make-Up Mirror with Twisted Accents
	

**APPROVED FOR PRODUCTION**

By: RICHARD PAUL  
Date: 4-25-19

FINISH	TBD
QTY	TBD
DRAWING NO.	REV
WM-6T	0
SCALE	1.5:1 SHEET: 1 OF 1 A4