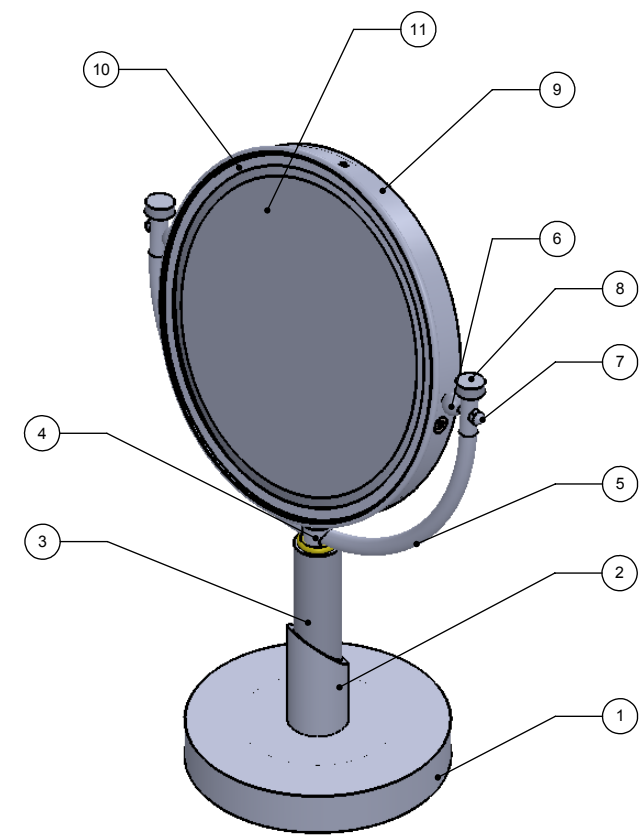
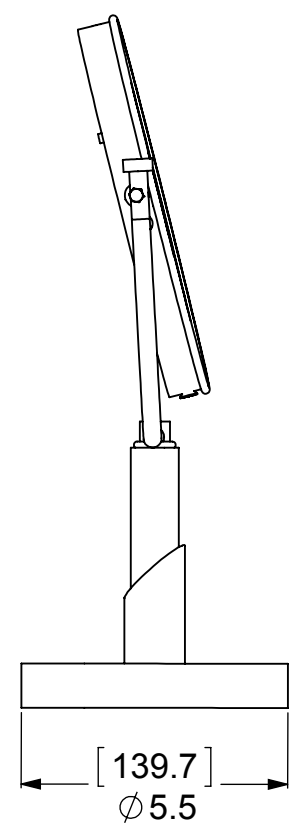
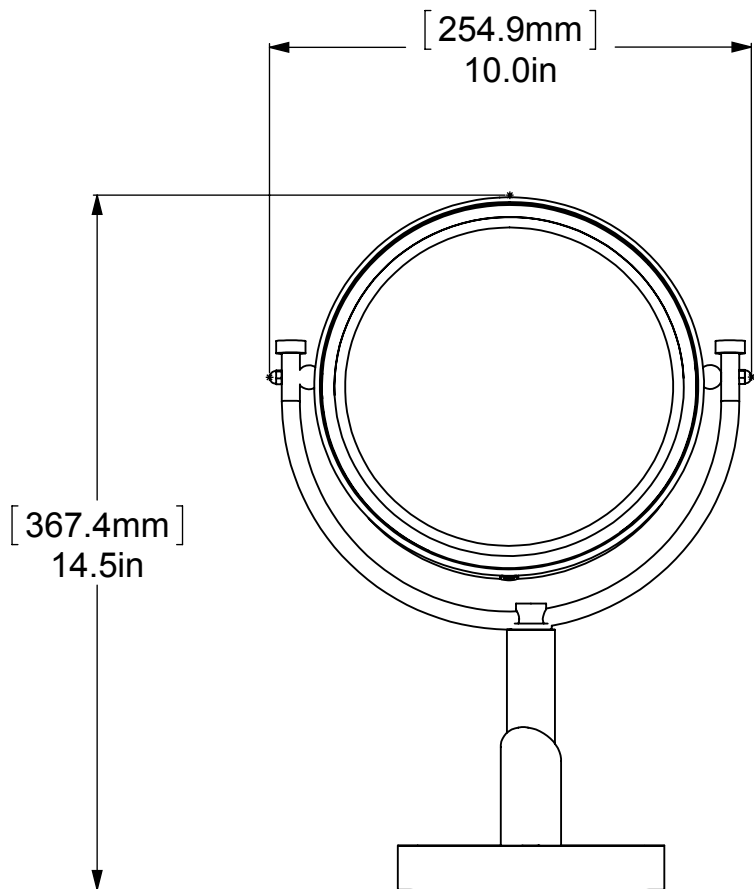


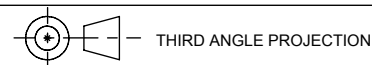
| ITEM NO. | P/N | DESCRIPTION | QTY. |
|----------|----------|---------------|------|
| 1 | BSRD-5.5 | BASE | 1 |
| 2 | BKSV | HUB | 1 |
| 3 | TU1-4 | TUBE | 2 |
| 4 | FTTDS | SUPPORT ROD | 1 |
| 5 | MRUBT-8 | MIRROR RING | 1 |
| 6 | BL1TL-12 | BALL | 2 |
| 7 | CN8-32 | NUT | 2 |
| 8 | CARD-58 | CAP | 2 |
| 9 | MROR34-8 | OUTSIDE FRAME | 1 |
| 10 | MRIN34-8 | INSIDE FRAME | 1 |
| 11 | MIRROR | MIRROR | 1 |



UNLESS OTHERWISE STATED

| | |
|------|---------|
| .X | ±.3mm |
| .XX | ±.15mm |
| .XXX | ±.008mm |

COPYRIGHT © Allied Brass 2016



| | | |
|----------|----------|-----|
| DRAWN | 4/8/2016 | I.M |
| CHECKED | 4/8/2016 | P.D |
| APPROVED | 4/8/2016 | R.A |

| | | | | |
|--------------|--|-----------|-------------|-----|
| MATERIAL: | BRASS | | FINISH | TBD |
| DESCRIPTION: | 8 Inch Vanity Top Make-Up Mirror  | | QUANTITY | TBD |
| | | | DRAWING No. | REV |
| | | | TR-4 | 0 |
| SCALE | 1:4 | SHEET: 01 | A4 | |