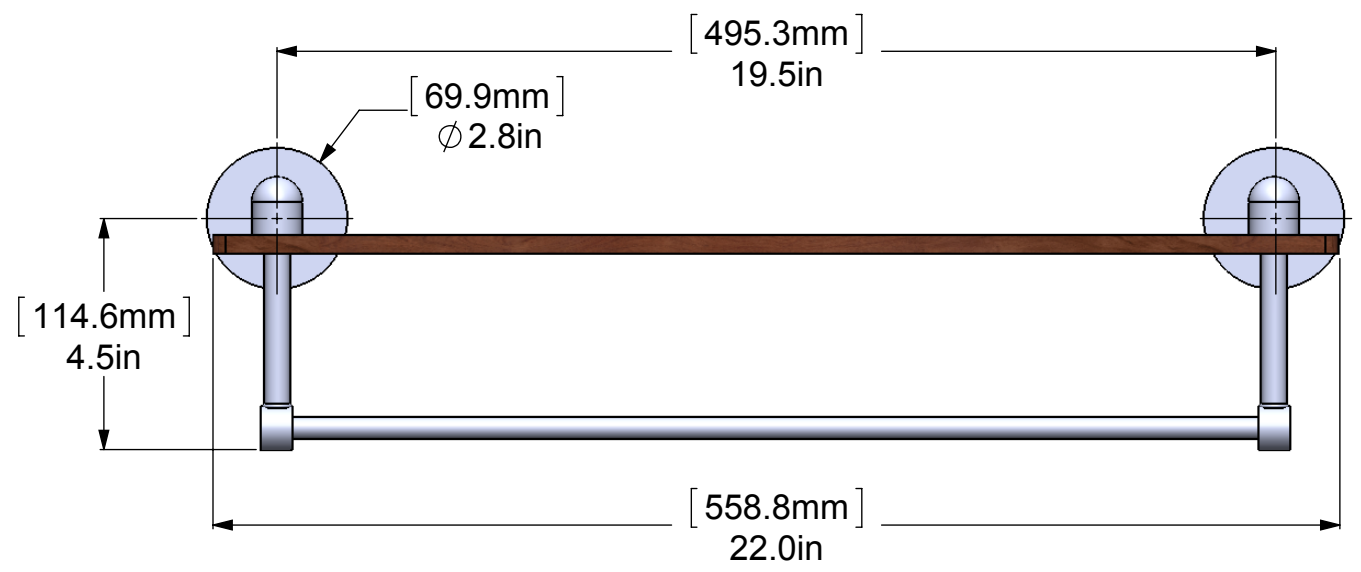
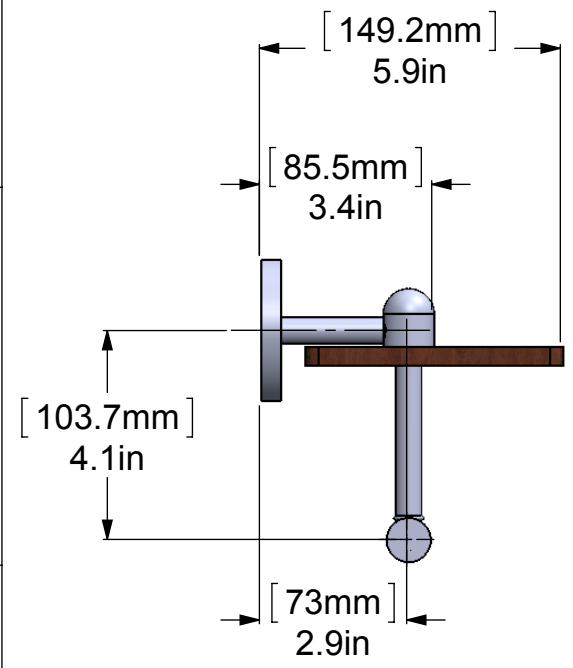
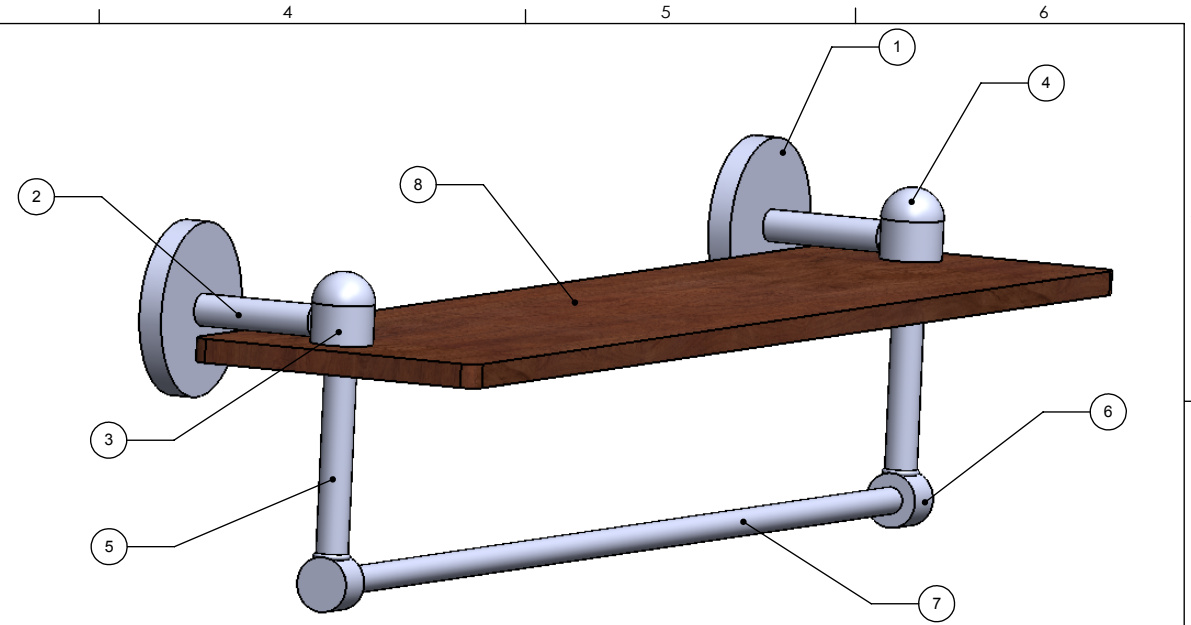
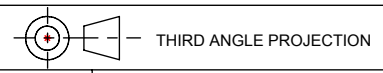



| ITEM NO. | PART NUMBER | DESCRIPTION | QTY. |
|----------|-------------|-------------|------|
| 1 | BPRD | Base | 2 |
| 2 | TU12-2 | NECK | 2 |
| 3 | HB1T-1 | Hub | 2 |
| 4 | CAHR-1 | CAP | 2 |
| 5 | TU12-3 | SUPPORT | 1 |
| 6 | HBBTT-78 | HUB BOTTOM | 2 |
| 7 | TU38-19.5 | BOTTOM TUBE | 1 |
| 8 | IRWRT-22 | WOOD SHELF | 1 |



| UNLESS OTHERWISE STATED | |
|-------------------------|---------|
| .X | ±.3mm |
| .XX | ±.15mm |
| .XXX | ±.008mm |

COPYRIGHT © Allied Brass 2016



| | | | | | | | |
|----------|-----------|-----|---|---|---------------|-------------|--------------|
| DRAWN | 1/22/2017 | I.M | MATERIAL: | BRASS | | FINISH | TBD |
| CHECKED | 1/22/2017 | P.D | DESCRIPTION: |  | | QUANTITY | TBD |
| APPROVED | 1/22/2017 | R.A | Tango Collection Solid IPE Ironwood Shelf with Integrated Towel Bar | | | DRAWING No. | REV |
| | | | | | TA-1TB-22-IRW | | 0 |
| | | | | | SCALE | 1:3.75 | SHEET: 01 A4 |