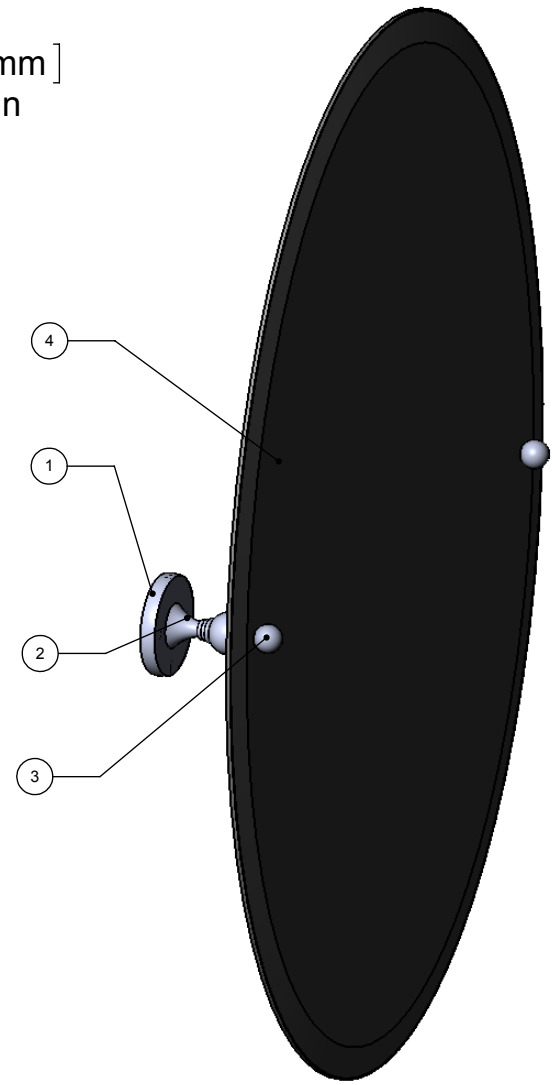
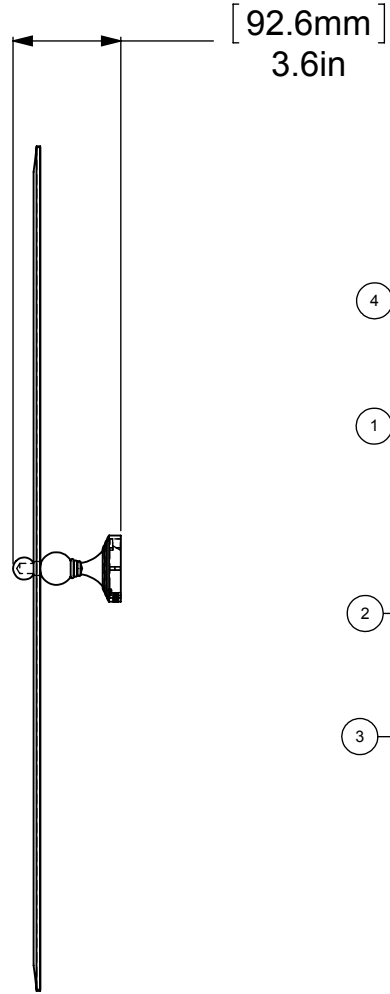
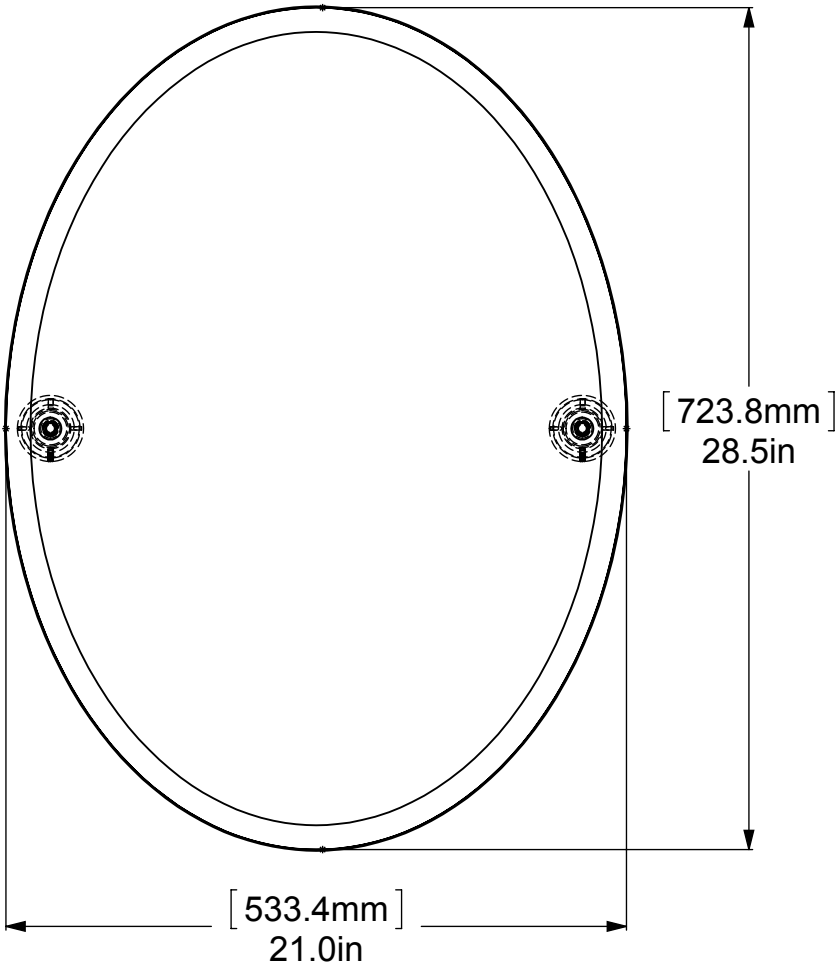


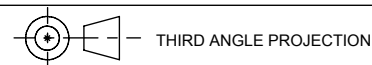
ITEM NO.	P/N	Description	QTY.
1	BPRD	BACKPLATE	2
2	SGRHPOST	Neck	2
3	BL1T-34	END BALL	2
4	MROV-91	MIRROR	1



UNLESS OTHERWISE STATED

.X	±.3mm
.XX	±.15mm
.XXX	±.008mm

COPYRIGHT © Allied Brass 2016



DRAWN	6/17/2016	I.M
CHECKED	6/17/2016	P.D
APPROVED	6/17/2016	R.A

MATERIAL:	BRASS
DESCRIPTION:	MIRROR



FINISH	TBD
QUANTITY	TBD
DRAWING No.	REV
SL-91	0
SCALE	1:6
SHEET: 01	A4