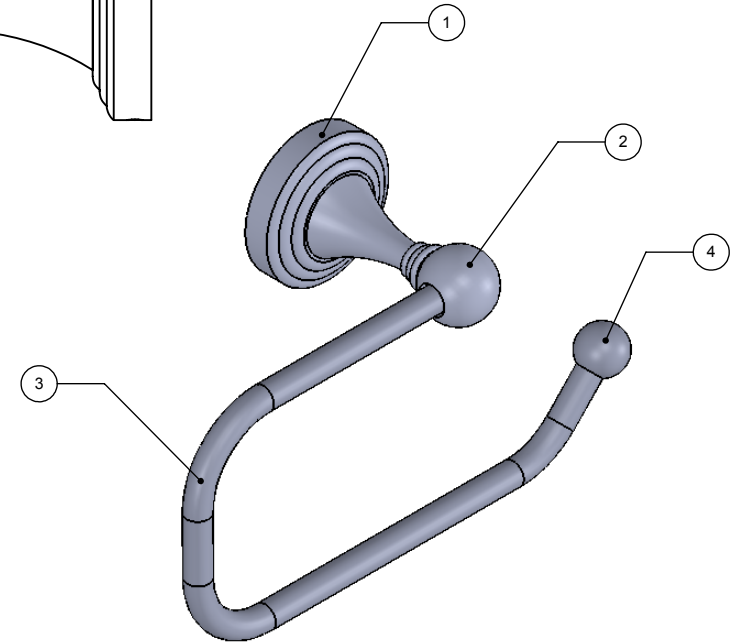
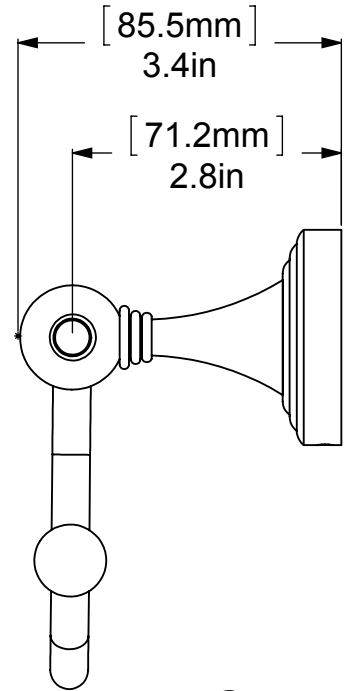
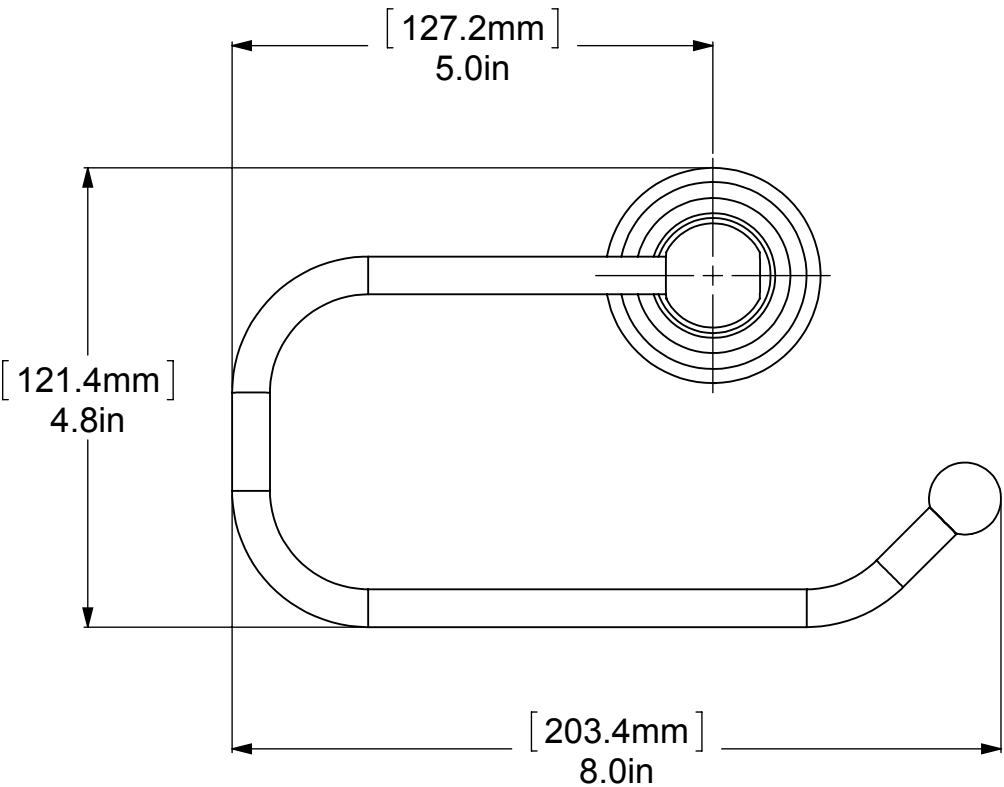


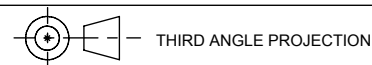
ITEM NO.	P/N	Description	QTY.
1	BPSG	BACKPLATE	1
2	SGTTPOST	SUPPORT	1
3	HKETS-38	TUBE PIPE	1
4	BL1T-34	BALL	1



UNLESS OTHERWISE STATED

.X	±.3mm
.XX	±.15mm
.XXX	±.008mm

COPYRIGHT © Allied Brass 2016



DRAWN	4/26/2016	I.M
CHECKED	4/26/2016	P.D
APPROVED	4/26/2016	R.A

MATERIAL:	BRASS
DESCRIPTION:	Tissue Holder



FINISH	TBD
QUANTITY	TBD
DRAWING No.	REV
SG-24E	0
SCALE	1:2
SHEET: 01	A4