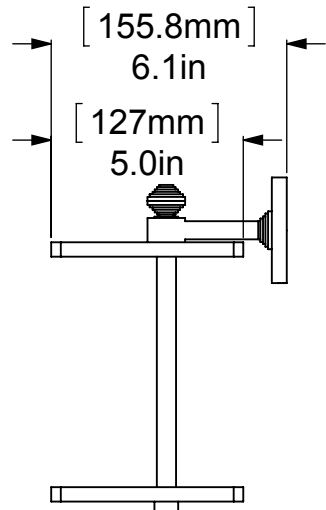
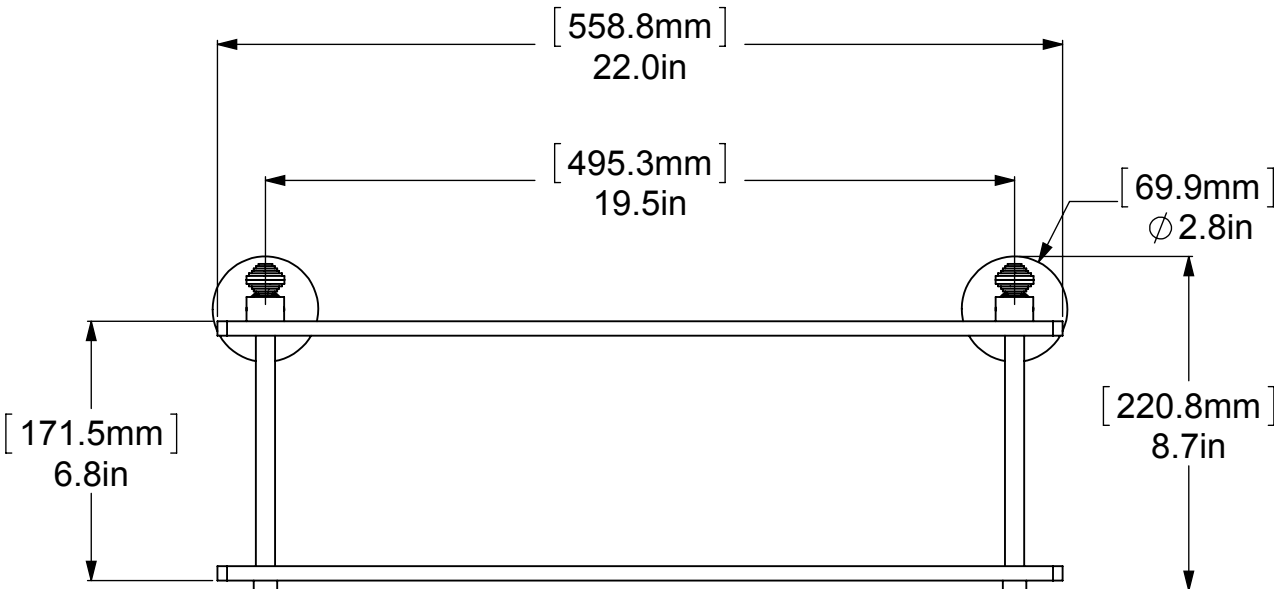
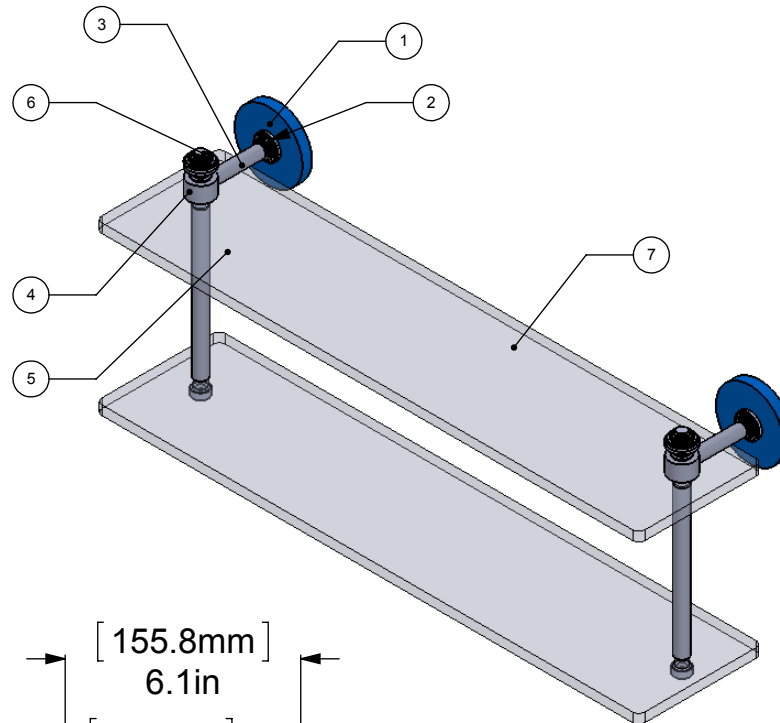


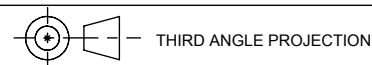
ITEM NO.	P/N	Description	QTY.
1	BPRD	BACKPLATE	2
2	RGNY	POST	4
3	TU12-2	TUBE	2
4	HB1T-1	HUB	2
5	TU12-6	TUBE SUPPORT	2
6	CANY-1	END CAP	2
7	GLRT-22	GLASS	2



UNLESS OTHERWISE STATED

.X	±.3mm
.XX	±.15mm
.XXX	±.008mm

COPYRIGHT © Allied Brass 2016



DRAWN	6/25/2016	I.M
CHECKED	6/25/2016	P.D
APPROVED	6/25/2016	R.A

MATERIAL:	BRASS
DESCRIPTION:	SHELF



FINISH	TBD
QUANTITY	TBD
DRAWING No.	REV
SB-2-22	0
SCALE	1:5 SHEET: 01 A4