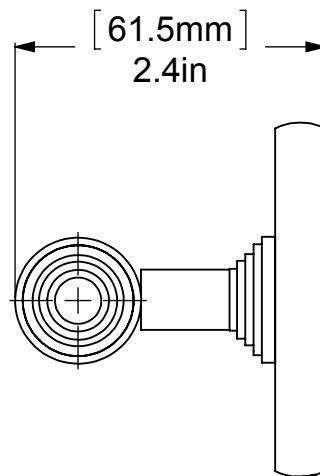
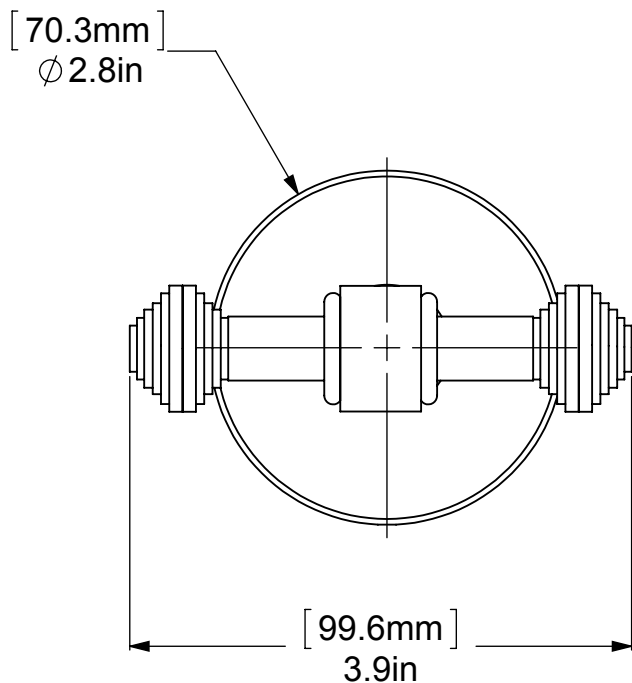
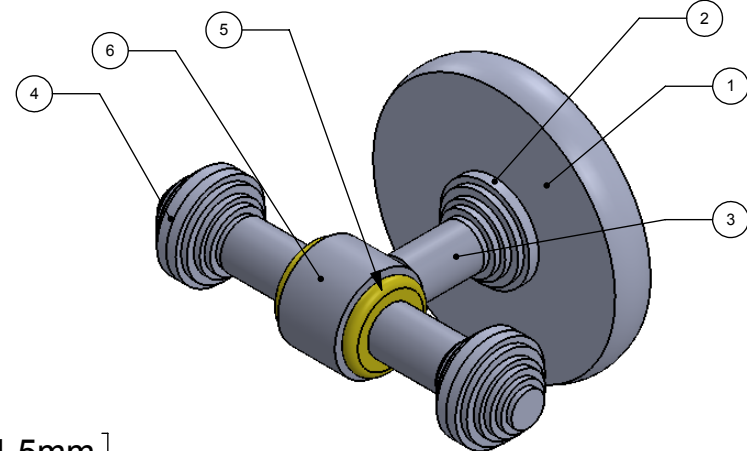


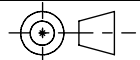
ITEM NO.	P/N	Description	QTY.
1	BPRD	BACKPLATE	1
2	RGNY-1	SUPPORT	3
3	TU12-.75	TUBE	3
4	CANY-1	CAP	2
5	CRRD-34	CHECK RING	2
6	HB1T-1	HUB	1



UNLESS OTHERWISE STATED

.X	±.3mm
.XX	±.15mm
.XXX	±.008mm

COPYRIGHT © Allied Brass 2016



THIRD ANGLE PROJECTION

DRAWN	2/6/2016	I.M
CHECKED	2/6/2016	P.D
APPROVED	2/6/2016	R.A

MATERIAL:	BRASS
DESCRIPTION:	ROBE HOOK



FINISH	TBD
QUANTITY	TBD
DRAWING No.	REV
SB-22	0
SCALE	1:1.5
SHEET: 01	A4