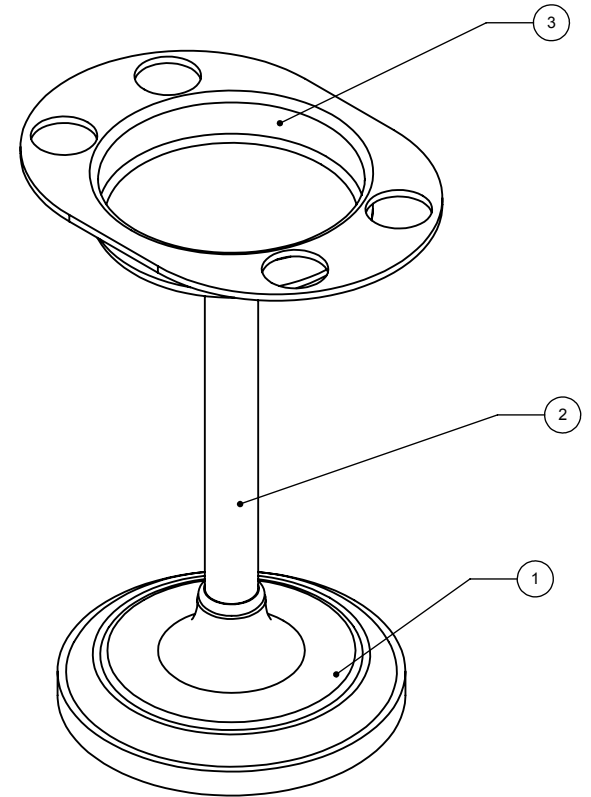
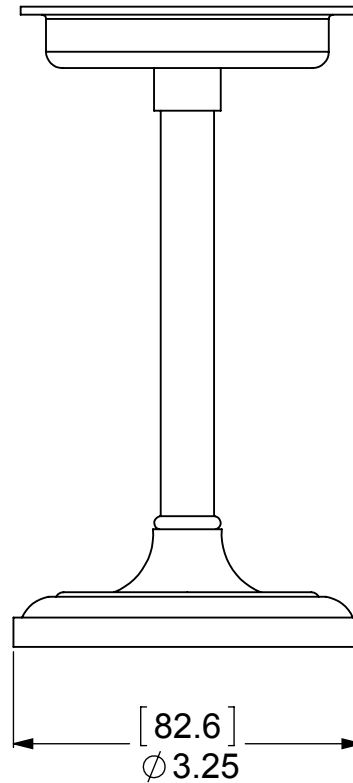
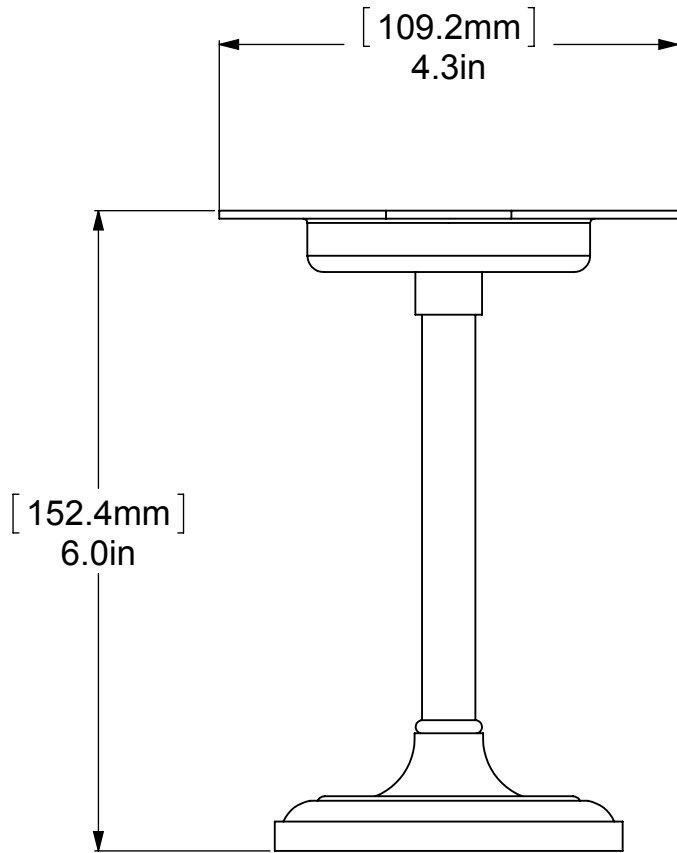


| ITEM NO. | P/N | DESCRIPTION | QTY. |
|----------|-----------|-------------|------|
| 1 | BSTD-3.25 | BASE | 1 |
| 2 | TU12-4 | TUBE | 1 |
| 3 | HROVT | TUBE | 1 |



UNLESS OTHERWISE STATED

| | |
|------|---------|
| .X | ±.3mm |
| .XX | ±.15mm |
| .XXX | ±.008mm |

COPYRIGHT © Allied Brass 2016



THIRD ANGLE PROJECTION

| | | |
|----------|----------|-----|
| DRAWN | 4/7/2016 | I.M |
| CHECKED | 4/7/2016 | P.D |
| APPROVED | 4/7/2016 | R.A |

| | |
|--------------|--|
| MATERIAL: | BRASS |
| DESCRIPTION: | Vanity Top Tumbler and Toothbrush Holder |
| | |

| | |
|-------------|------|
| FINISH | TBD |
| QUANTITY | TBD |
| DRAWING No. | S-55 |
| REV | 0 |
| SCALE | 1:8 |
| SHEET: 01 | A4 |