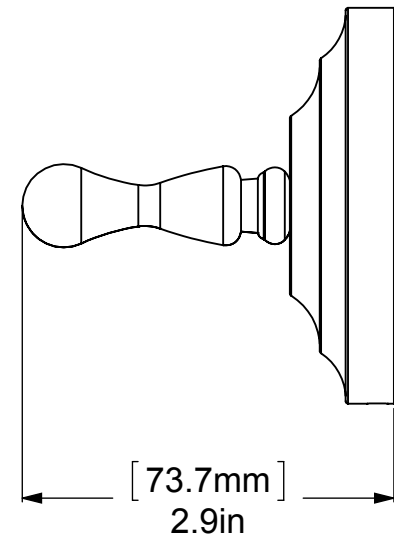
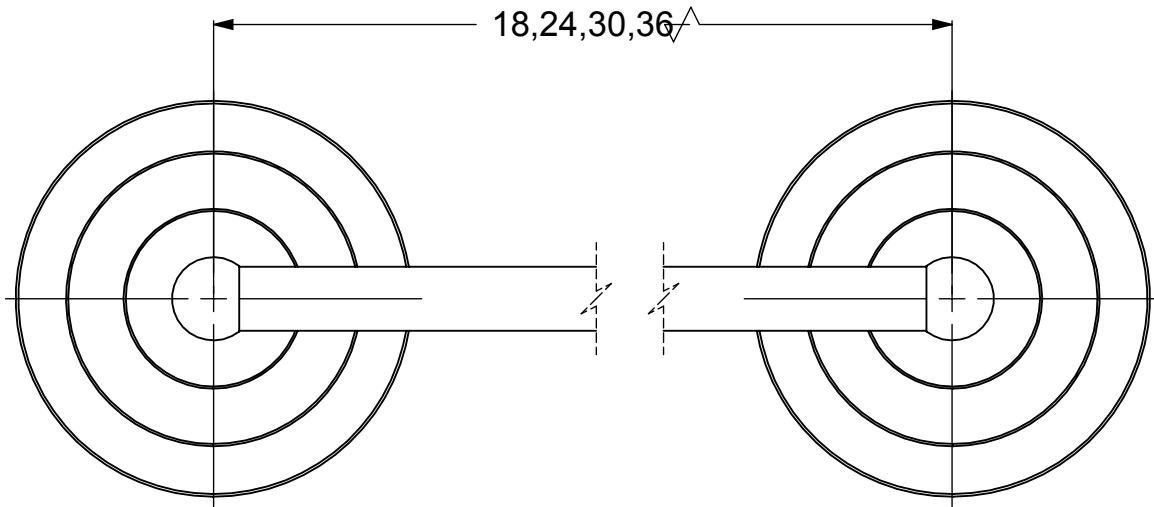
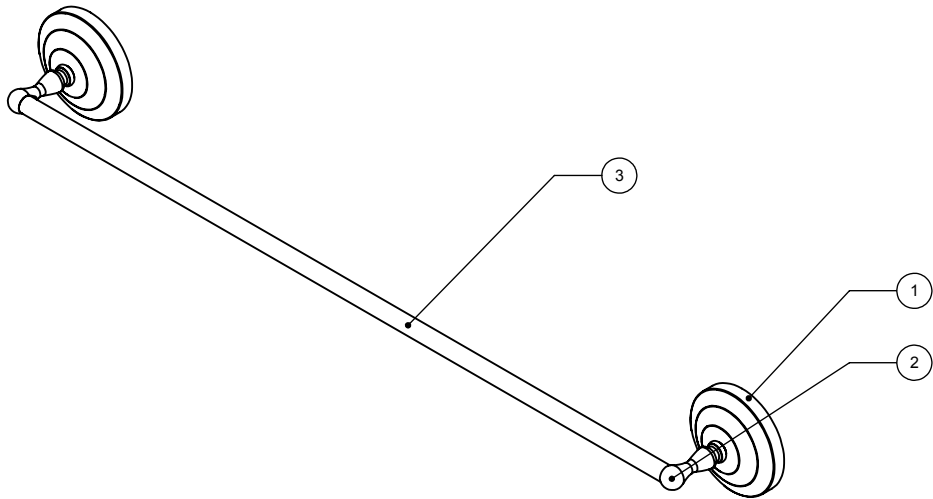
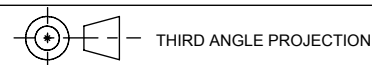


ITEM NO.	P/N	DESCRIPTION	QTY.
1	BPQN-SN	BASE	2
2	PSTD5-12-SN	SUPPORT	2
3	TU12-18,24,30,36	TUBE	2



UNLESS OTHERWISE STATED	
.X	$\pm .3\text{mm}$
.XX	$\pm .15\text{mm}$
.XXX	$\pm .008\text{mm}$

COPYRIGHT © Allied Brass 2016



DRAWN	2-8-17	I.M
CHECKED	2-8-17	P.D
APPROVED	2-8-17	R.A

MATERIAL:	BRASS		FINISH	TBD
DESCRIPTION:	TOWEL BAR		QUANTITY	TBD
			DRAWING No.	REV
			QN-31	
			SCALE	1:1.5