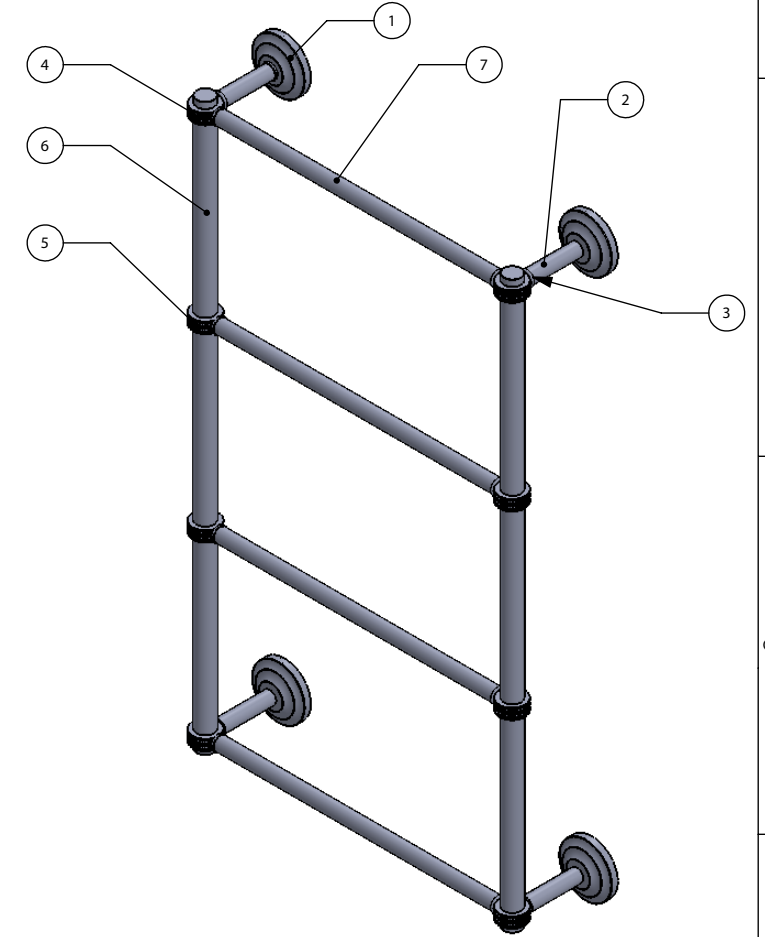
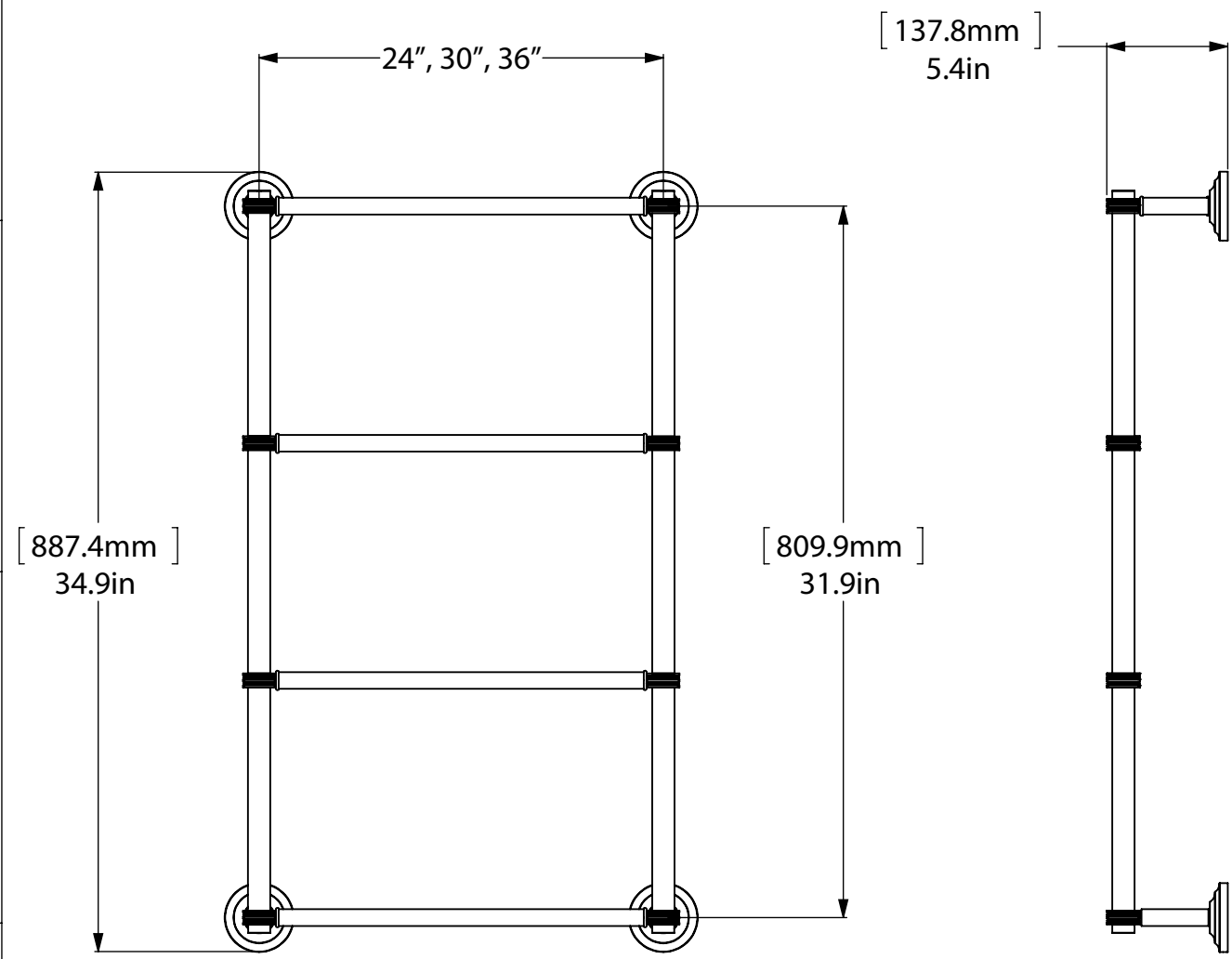
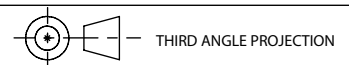


ITEM NO.	P/N	Description	QTY.
1	BPQN	BACKPLATE	4
2	TU34-3	POST	4
3	CRRD-34	CHECK RING	20
4	RGDTD	HUB	4
5	RGDTT	HUB	4
6	TU1-10	TUBE	6
7	TU34-24,30,36	BAR	4




UNLESS OTHERWISE STATED	
.X	±.3mm
.XX	±.15mm
.XXX	±.008mm

COPYRIGHT © Allied Brass 2018



APPROVED FOR PRODUCTION
 BY: RICHARD PAUL
 DATE: 01/05/2018

DRAWN	01-05-18	I.M	MATERIAL:	BRASS	FINISH	TBD
CHECKED	01-05-18	P.D	DESCRIPTION:		QUANTITY	TBD
APPROVED	01-05-18	R.A	LADDER TOWEL BAR		DRAWING No.	REV
					QN-28D	0
				SCALE	1:8	SHEET: 01
						A4