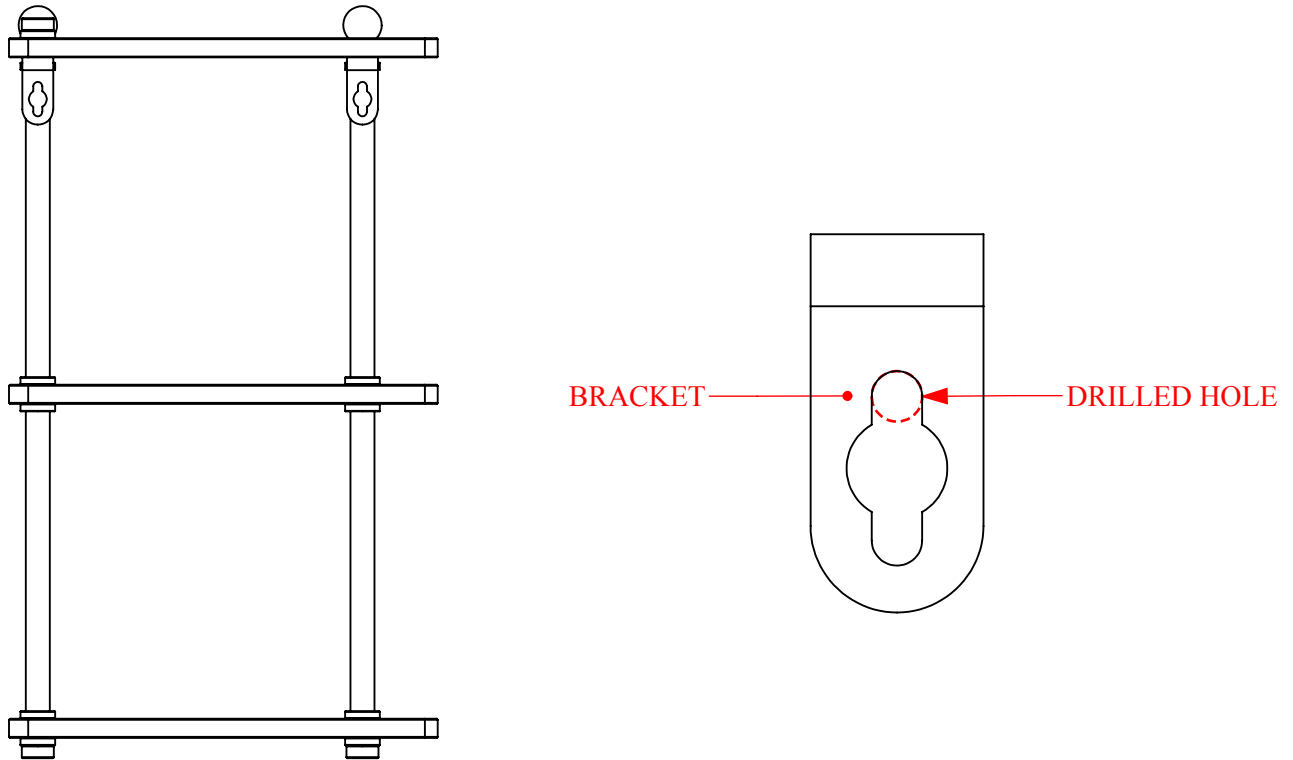


INSTALLATION INSTRUCTIONS

Step 1: Drill holes in Wall for screw anchors

Determine your desired location for installation and make a mark for the location of the mounting bracket. Make 2 marks where mounting screws will be placed as shown below. Make sure shelf is level when marking location for installation. Drill hole at each of the marks.



Step 2: Attach Shelf to Mounting Surface

Place anchors to the holes made in step 1. Fasten screws to anchors and leave gap equal to thickness of the bracket. Slide brackets into screws as shown below.

