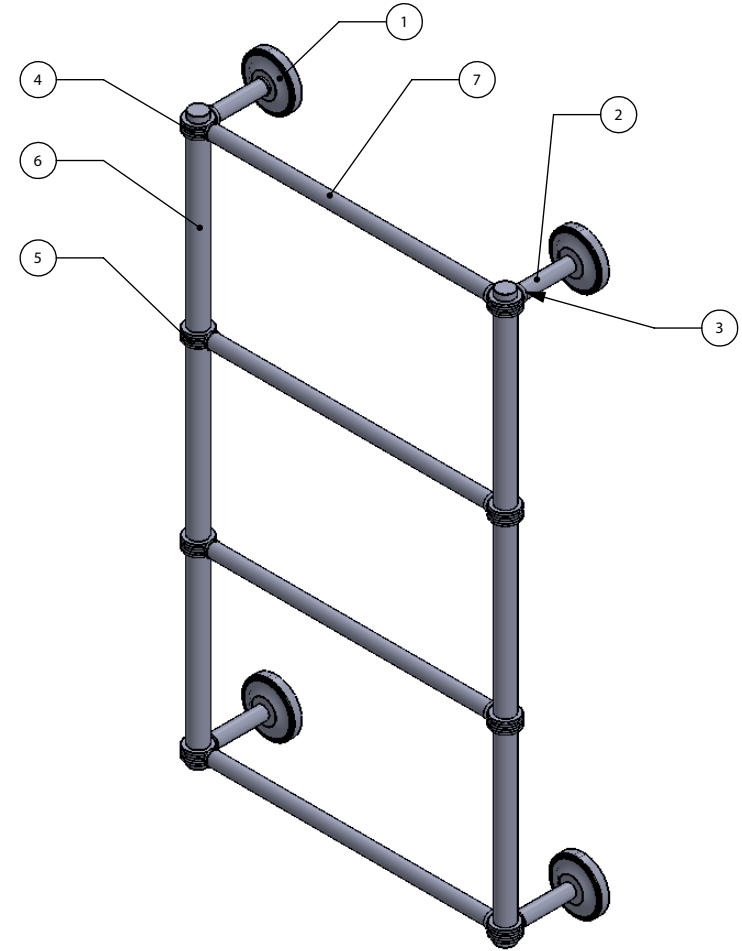
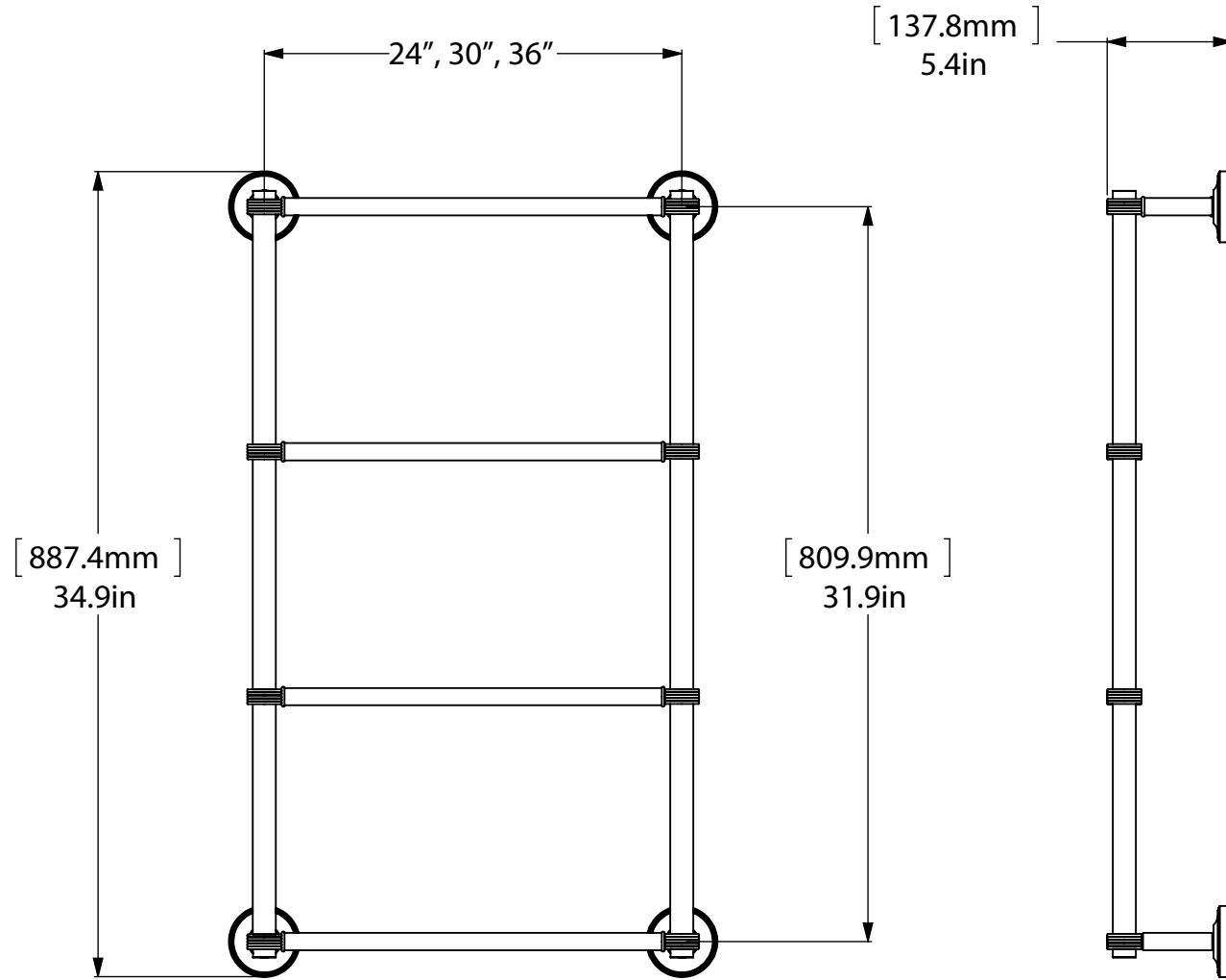


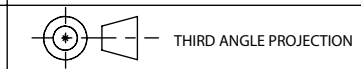
ITEM NO.	P/N	Description	QTY.
1	BPPR	BACKPLATE	4
2	TU34-3	POST	4
3	CRRD-34	CHECK RING	20
4	RGGVD	HUB	4
5	RGGVT	HUB	4
6	TU1-10	TUBE	6
7	TU34-24,30,36	BAR	4



UNLESS OTHERWISE STATED

.X	±.3mm
.XX	±.15mm
.XXX	±.008mm


COPYRIGHT © Allied Brass 2018



APPROVED FOR PRODUCTION
 BY: RICHARD PAUL
 DATE: 01/05/2018

DRAWN	05-1801-05-18	I.M
CHECKED	01-05-18	P.D
APPROVED	01-05-18	R.A

MATERIAL: BRASS
 DESCRIPTION: LADDER TOWEL BAR



FINISH	TBD
QUANTITY	TBD
DRAWING No.	PR-28G
REV	0
SCALE	1:8
SHEET: 01	A4