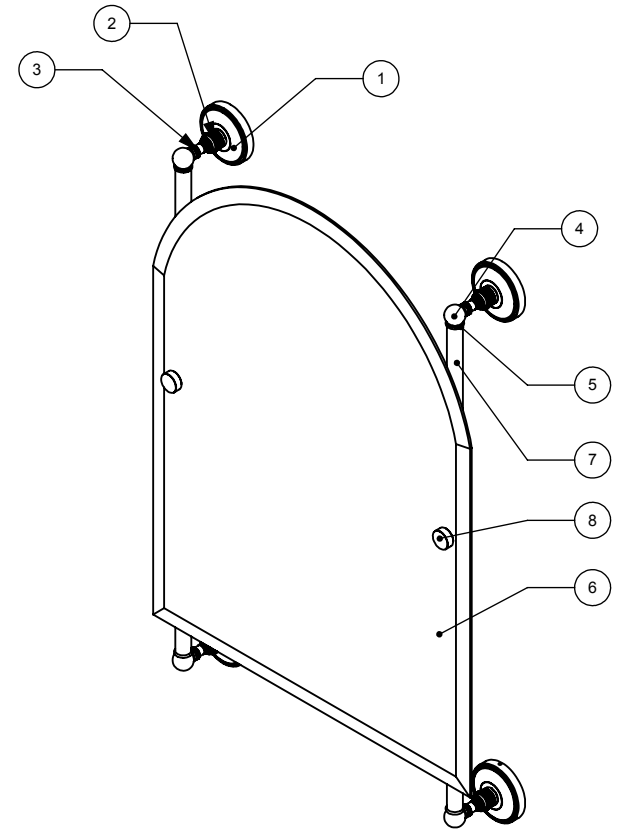
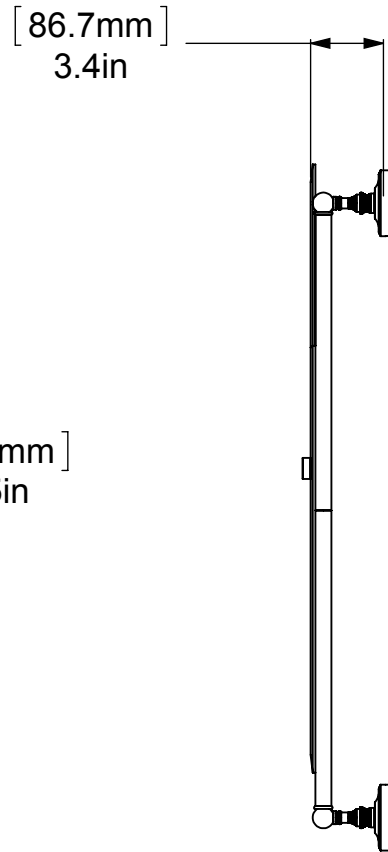
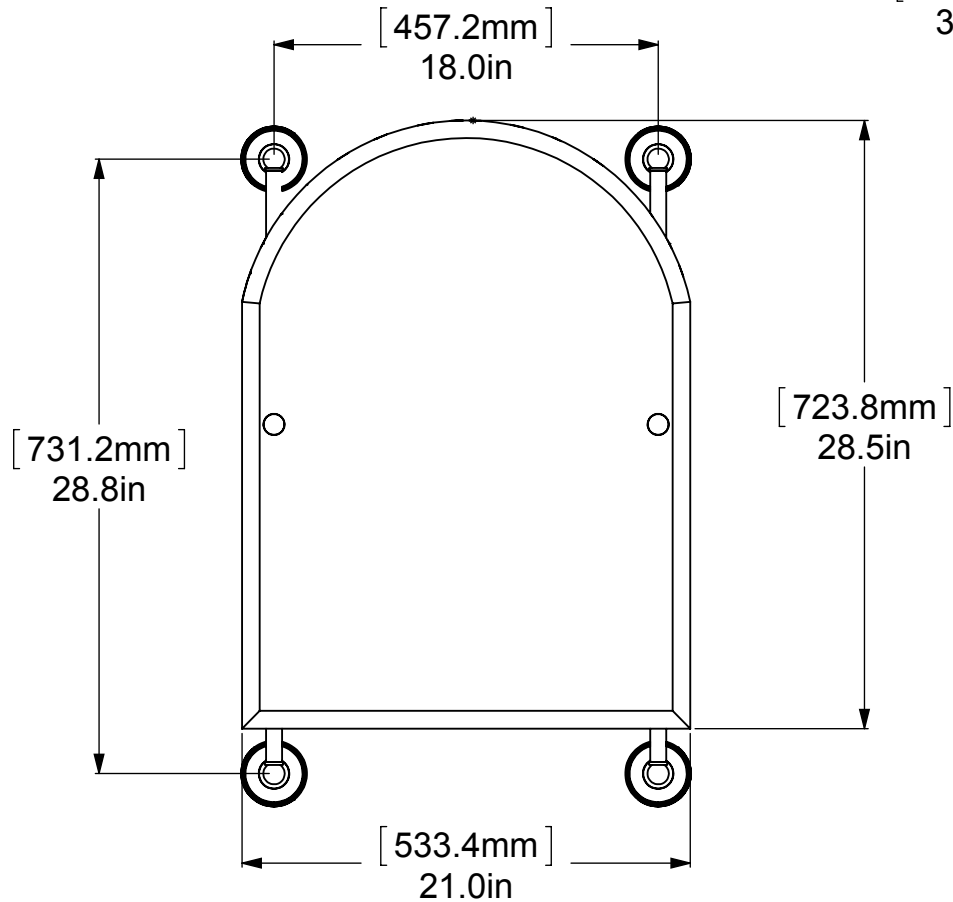


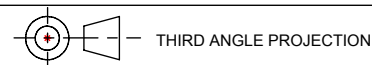
| ITEM NO. | P/N | Description | QTY. |
|----------|-----------|-------------|------|
| 1 | BPPR | BACKPLATE | 4 |
| 2 | NKSL-58 | SUPPORT | 4 |
| 3 | NKSL-1.25 | NECK | 4 |
| 4 | BL2T-1 | HUB | 4 |
| 5 | CRRD-34 | CHECK RING | 4 |
| 6 | MRAT-94 | MIRROR | 1 |
| 7 | TU34-28 | TUBE | 2 |
| 8 | CARD-1 | LOCK | 2 |



UNLESS OTHERWISE STATED


| | |
|------|---------|
| .X | ±.3mm |
| .XX | ±.15mm |
| .XXX | ±.008mm |

COPYRIGHT © Allied Brass 2017



| | | |
|----------|-----------|-----|
| DRAWN | 4/10/2017 | I.M |
| CHECKED | 4/10/2017 | P.D |
| APPROVED | 4/10/2017 | R.A |

MATERIAL: BRASS
 DESCRIPTION: Prestige Skyline Collection Arched Top Frameless Rail Mounted Mirror



| | |
|-------------|----------|
| FINISH | TBD |
| QUANTITY | TBD |
| DRAWING No. | PR-27-94 |
| SCALE | 1:9 |
| SHEET: 01 | A4 |