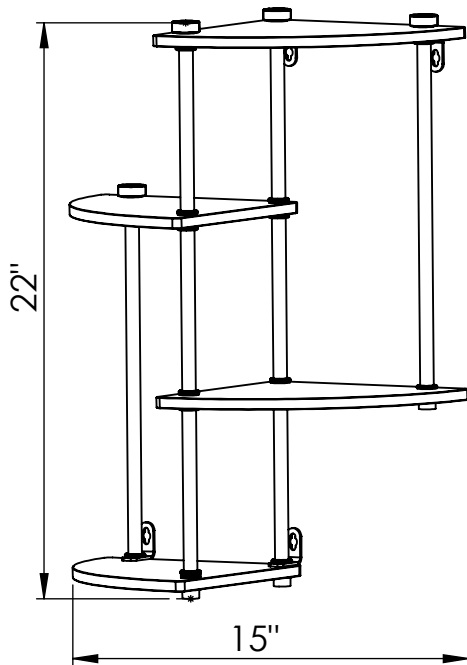


NS-4, FT-4, PR-4, MA-4, CL-4



FOUR TIER GLASS WALL SHELF ASSEMBLY AND INSTALLATION INSTRUCTIONS



Assembly Parts

A Glass Shelf-4	B Long Rod-2	C Short Rod-2
D Long Tube-2	E Short Tube-6	F Large Top Cap -4 (in chosen style)
G Small Bottom Cap -4	H Washer-20	I Angle Bracket-4

Installation Kit

Screw-4
Anchor-4
Cap Bushing-4
Screw CAP-4

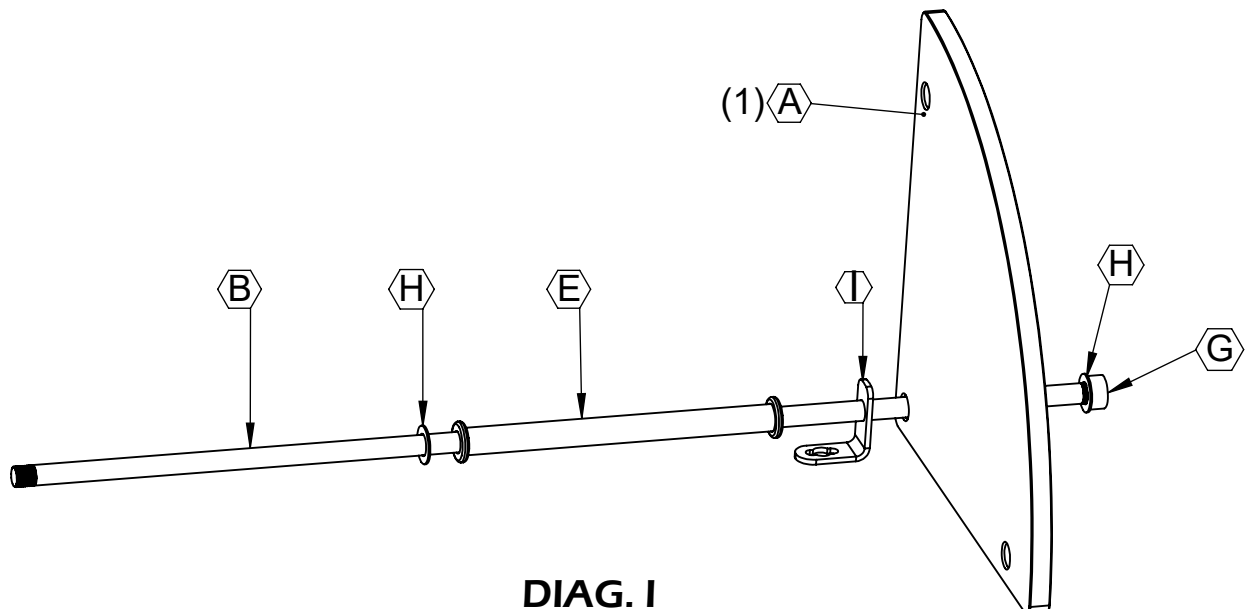
ASSEMBLY INSTRUCTIONS:

NOTES: Place a covering on your table to protect its surface during assembly. No tools are required for assembly. For Installation, you will need a philips screwdriver, hammer, level, ruler and drill with 1/4" bit. Follow the step by step instructions assembling the shelf unit on its back, starting with the first (or bottom) shelf and working towards your left assembling the vertical rod assemblies up to the fourth or (top) shelf.

1. Begin by threading a SMALL BOTTOM CAP (G) onto one end of the 2 SHORT RODS (C) and the 2 LONG RODS (B). Then slip a WASHER (H) all the way onto each of those 4 rods.

2. (First Long Rod Assembly) See Diag. 1

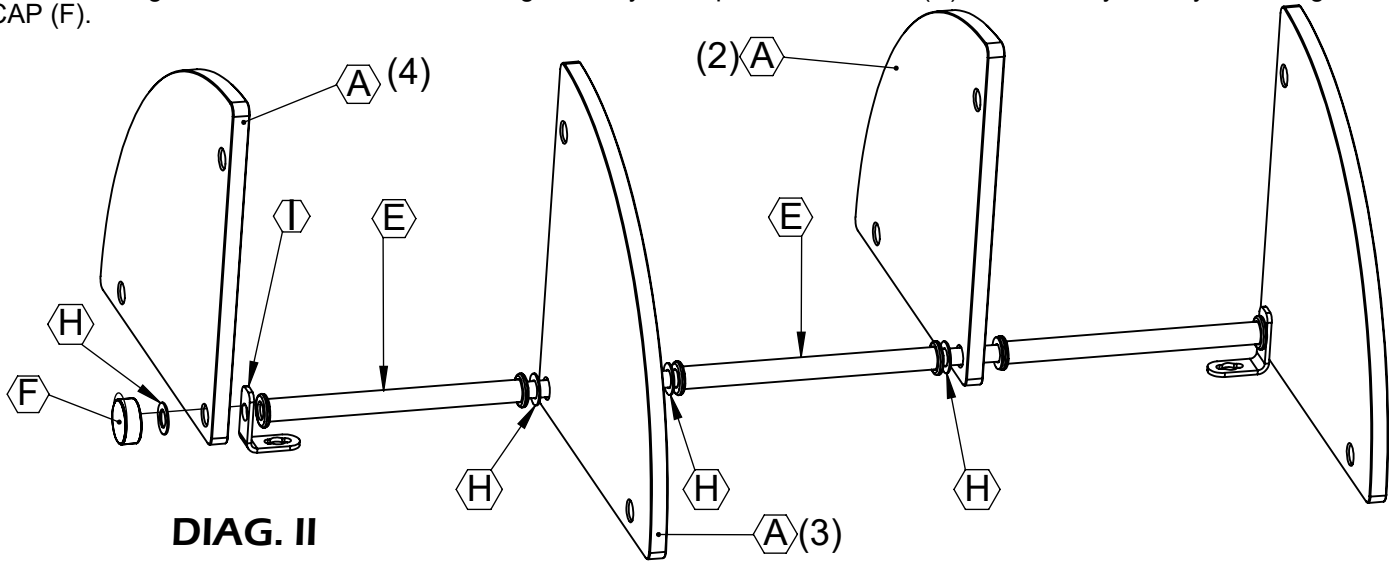
While holding a GLASS SHELF (A) with one of its straight edges down on the table and its curved edge facing you, slip a LONG ROD (B) all the way through the first shelf's square corner hole from the right side. Then slip a ANGLE BRACKET (I) onto that Long Rod (so it points to the Left), followed by a SHORT TUBE (E) and a WASHER (H).



DIAG. I

3. (First Long Rod Assembly-Cont.) See Diag. II

Next, slip a second GLASS SHELF (A) onto that rod through its square corner hole so one flat edge is down and this time the other flat edge faces you. Follow that with a WASHER (H), SHORT TUBE (E) and another WASHER (H). Slip on a third GLASS SHELF (A) through the square corner hole so one flat edge is down and the curved edge faces you. Follow that with a WASHER (H), SHORT TUBE (E) then an ANGLE BRACKET (I) (so its points to the Right). Slip on a fourth GLASS SHELF (A) so one flat edge is down and the other flat edge faces you. Slip on a WASHER (H) and finish by loosely threading on a LARGE CAP (F).



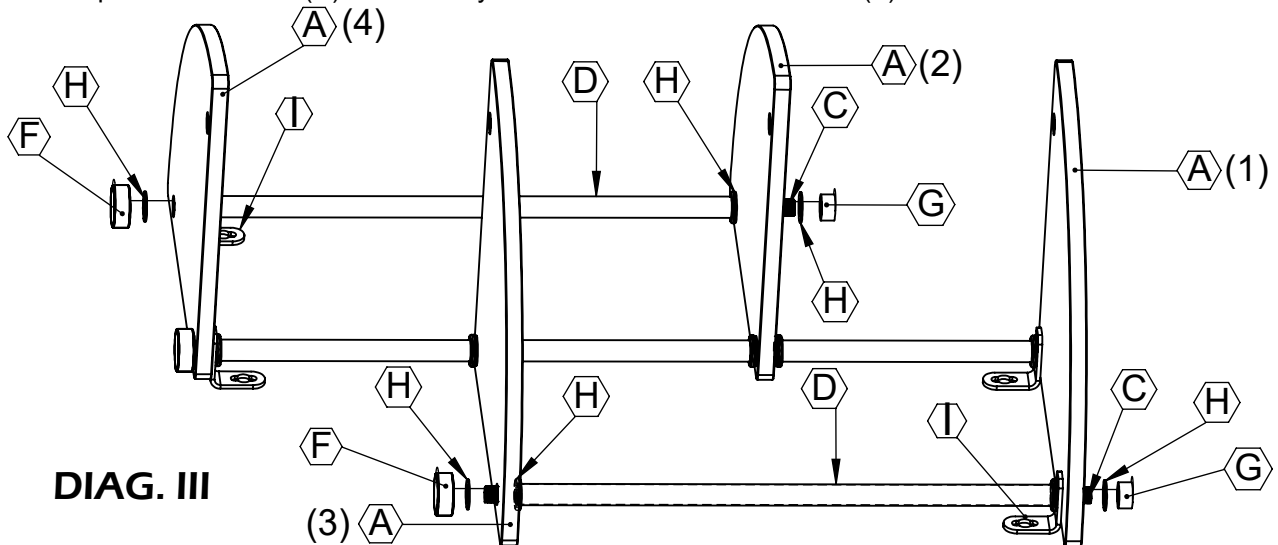
DIAG. II

4. (First Short Rod Assembly) See Diag. III

From the right side, slip a SHORT ROD (C) through the other lower hole in the first glass shelf. Next slip an ANGLE BRACKET (I) onto the rod (so its points to the Left) followed by a LONG TUBE (D) and WASHER(H). Continue by pushing the rod through the third glass shelf lower hole. Slip on a WASHER (H) then loosely thread on a LARGE TOP CAP (F).

5. (Second Short Rod Assembly) See Diag. III

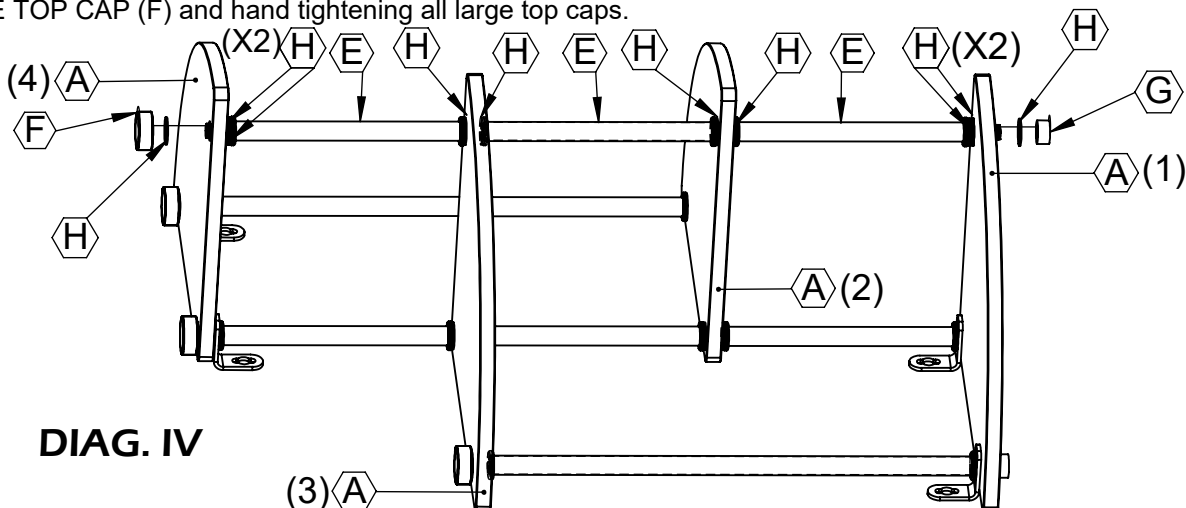
From the right side, slip a SHORT ROD (C) through the other lower hole in the second glass shelf. Next, add a WASHER(H), LONG TUBE (D) and ANGLE BRACKET (I) (so it points to the Right). Continue by pushing the rod through the fourth glass shelf lower hole. Slip on a WASHER (H) then loosely thread on a LARGE TOP CAP (F).



DIAG. III

6. (Second Long Rod Assembly) See Diag. IV

From the right side, slip a LONG ROD (B) just through the top hole in the first glass shelf. Continue by pushing the rod through 3 more sets of WASHER (H), SHORT TUBE (E) and WASHER (H) between the 4 glass shelves while also doubling up the WASHER (H) against the inside of the first and fourth shelf. Then add a WASHER (H) on the outside and finish by threading on a LARGE TOP CAP (F) and hand tightening all large top caps.



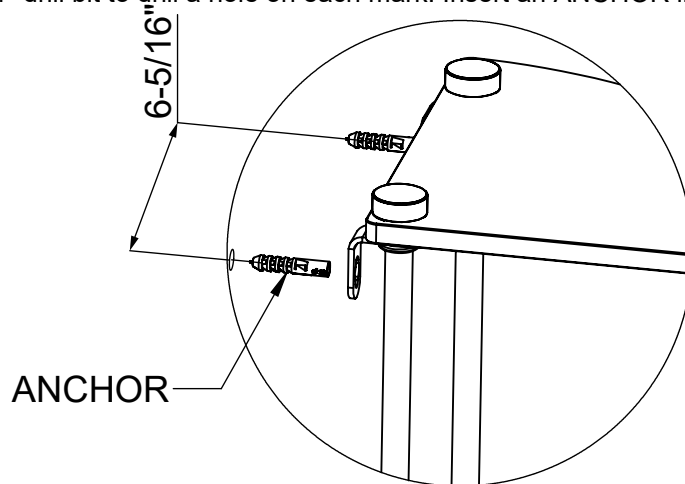
DIAG. IV

NS-4, FT-4, PR-4, MA-4, CL-4

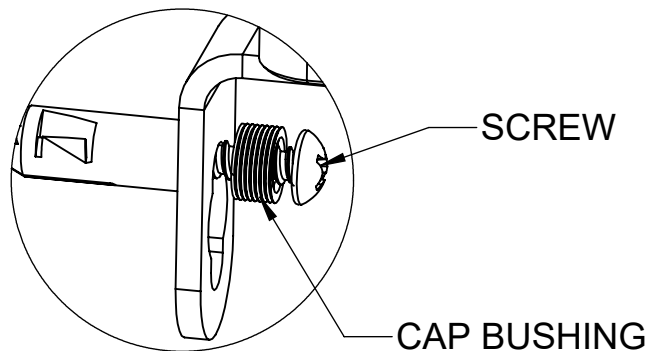


FOUR TIER GLASS WALL SHELF INSTALLATION INSTRUCTIONS

1. Make a mark on the wall at your desired location for the top shelf's left side angle bracket (which is the center of the 15" wide x 22" high shelf unit at the top). Then using a level, make a mark for the right side angle bracket measuring 6-5/16" to the right of the first mark. Use 1/4" drill bit to drill a hole on each mark. Insert an ANCHOR into each hole.



2. Insert a SCREW with CAP BUSHING into both anchors leaving just enough length to slip the shelf angle bracket onto it. Next, position the shelf on the wall slipping the 2 upper angle brackets onto the screws. While still supporting the shelf, make a mark on the wall through the top notch of the hole in the lower 2 angle brackets. Lift the shelf to remove it from the wall. Drill 1/4" holes on the lower 2 marks and insert anchors and screws with cap bushings, again leaving just enough length to slip the angle bracket onto it.



3. Position the shelf unit slipping the angle brackets over the screws and bushings so the screw slips into the upper hole slot. Tighten the 4 screws. When secured to the wall, thread the 4 SCREW CAPS onto the cap bushings.

