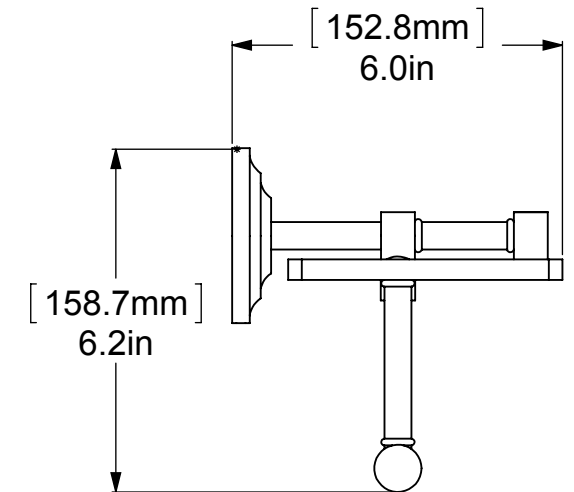
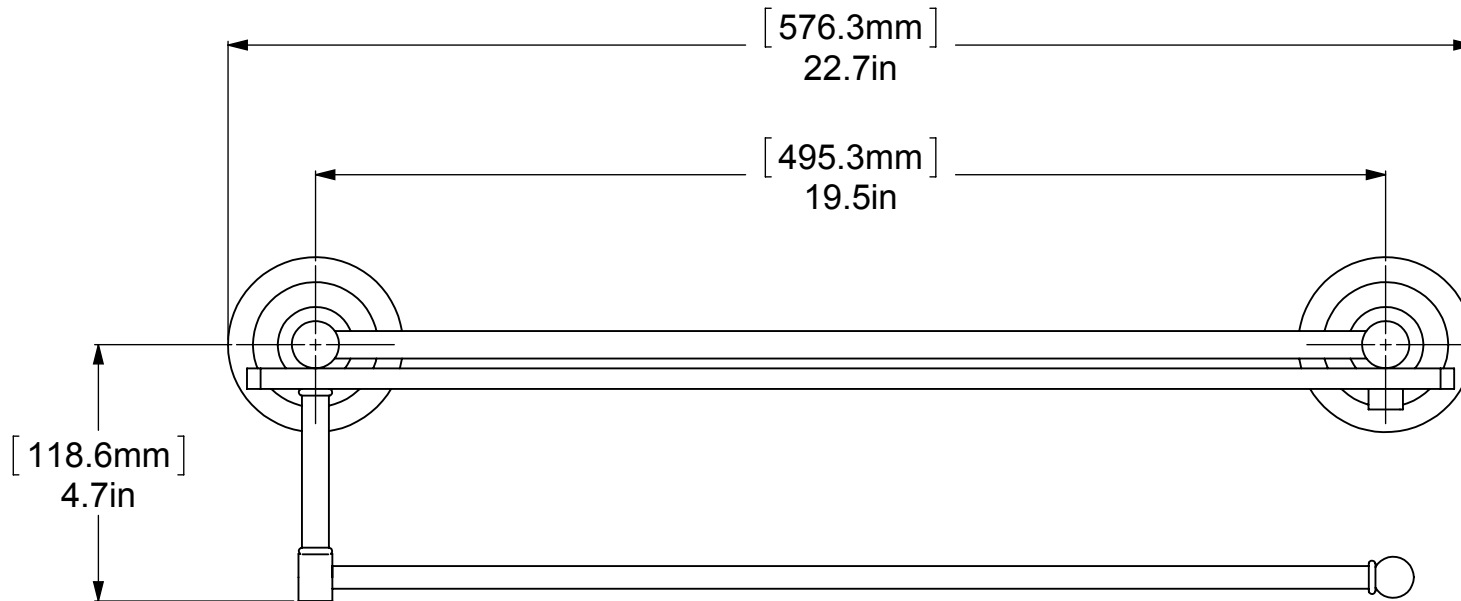
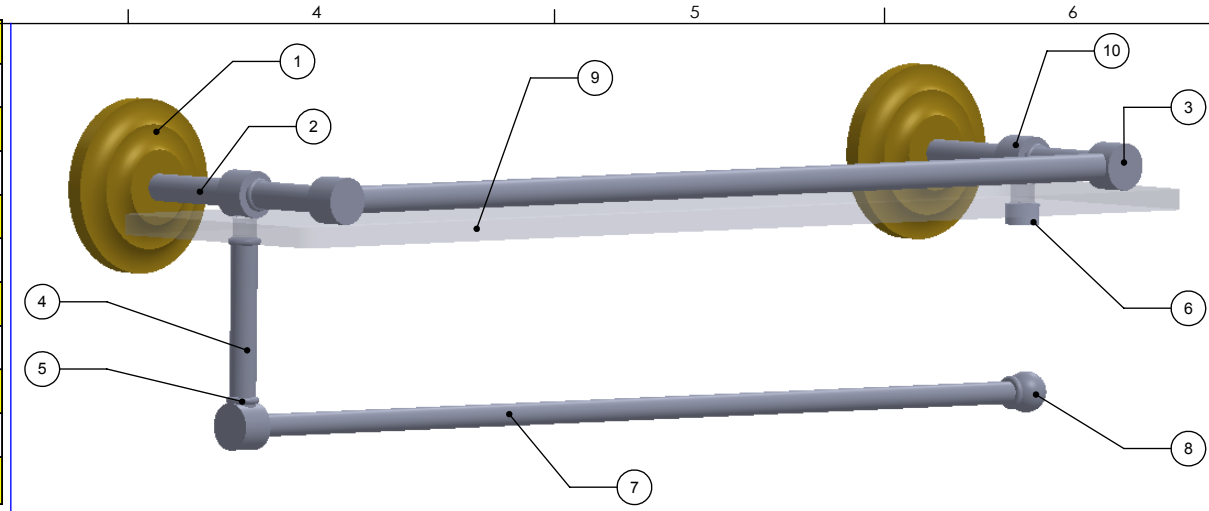
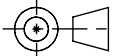


| ITEM NO. | P/N | DESCRIPTION | QTY. |
|----------|--------------|------------------|------|
| 1 | BPQN | BACKPLATE | 2 |
| 2 | TU12-2 | TUBE SUPPORT TOP | 2 |
| 3 | HBBTT-78 | HUB | 3 |
| 4 | TU12-3 | VERTICAL TUBE | 2 |
| 5 | CRRD-12 | CHECK RING | 8 |
| 6 | CARD-58 | CAP | 1 |
| 7 | TU12-13.5 | LOWER TUBE | 2 |
| 8 | BL1T-34 | BALL | 1 |
| 9 | GLRT-22 | GLASS | 1 |
| 10 | MR-TILT-FITT | HUB-CON | 2 |



| | | | | | | | |
|---|-------------------------------|----------|-----------|-----------------------|-----------------------|-----|-----|
|  THIRD ANGLE PROJECTION | DRAWN | 11-21-15 | I.M | MATERIAL: | FINISH | TBD | |
| | CHECKED | 11-21-15 | P.D | DESCRIPTION: | QUANTITY | TBD | |
| | APPROVED | 11-21-15 | R.A | PQN-1PT-22-GAL | DRAWING No. | | REV |
| | COPYRIGHT © Allied Brass 2015 | | | | PQN-1PT-22-GAL | | 0 |
| SCALE | | 1:3 | SHEET: 01 | | A4 | | |