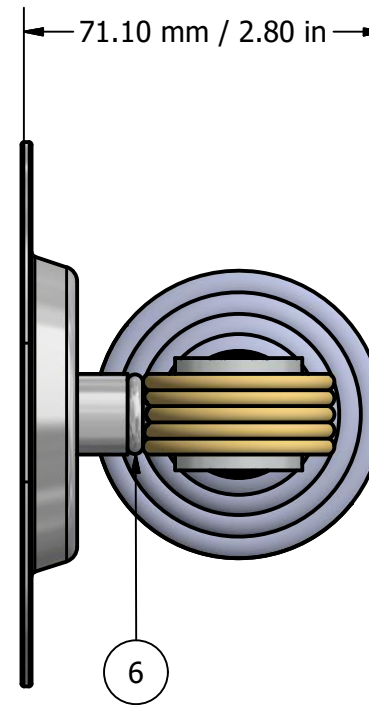
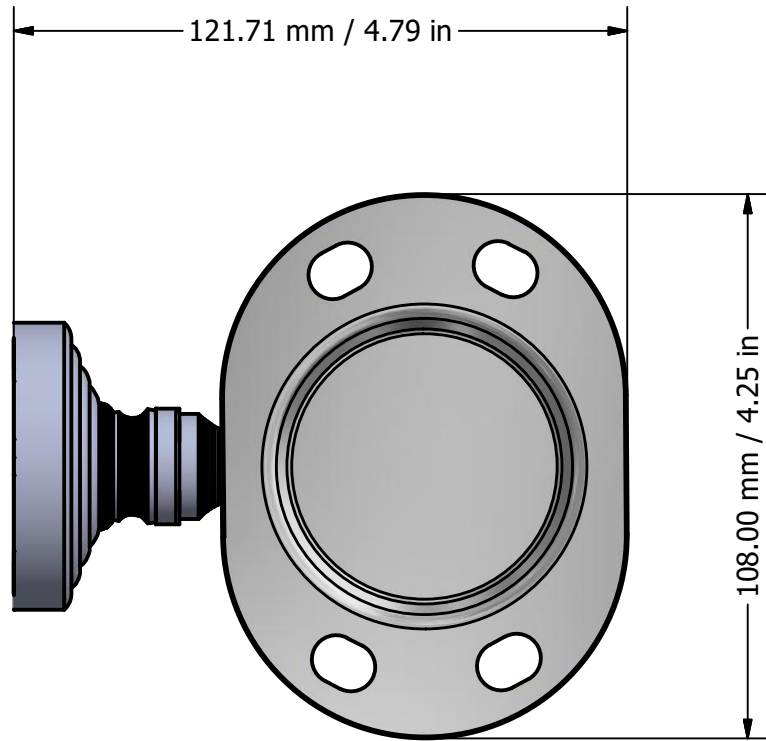
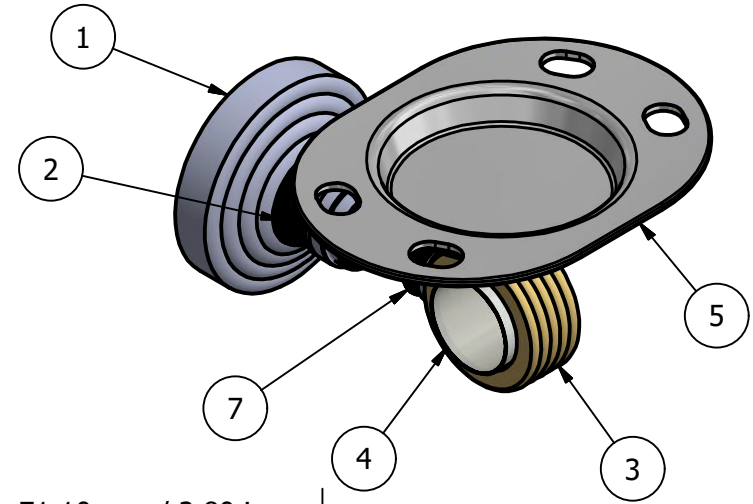


2

1

PARTS LIST

ITEM	QTY	PART NUMBER	DESCRIPTION
1	1	BPWV	BACKPLATE
2	1	NKSL-58	NECK
3	1	RGTWD-1	RING WITH NEW SIZE
4	1	AC-HHUB	ACRYLIC POST
5	1	HROVT	HOLDER
6	1	CRRD-12	CHECK RING
7	1	NKSL-1.25	NECK



APPROVED FOR PRODUCTION

By: RICHARD PAUL
Date: 10-15-18

UNLESS OTHERWISE SPECIFIED

UNIT IS IN MM.

.X	± .3mm		DRAWN	10-15-18	IM	MATERIAL:	BRASS		FINISH	TBD
.XX	± .15mm	COPYRIGHT @ALLIEDBRASS 2018	CHECKED	10-15-18	P.D.	DESCRIPTION:			QTY	TBD
.XXX	± .008mm	THIRD ANGLE PROJECTION	APPROVED	10-15-18	R.A.	Pacific Grove Collection Tumbler and Toothbrush Holder w/ Twisted Accent			DRAWING NO. PG-26T	
								SCALE	1.5:1	SHEET: 1 OF 1
										REV 0

2

1