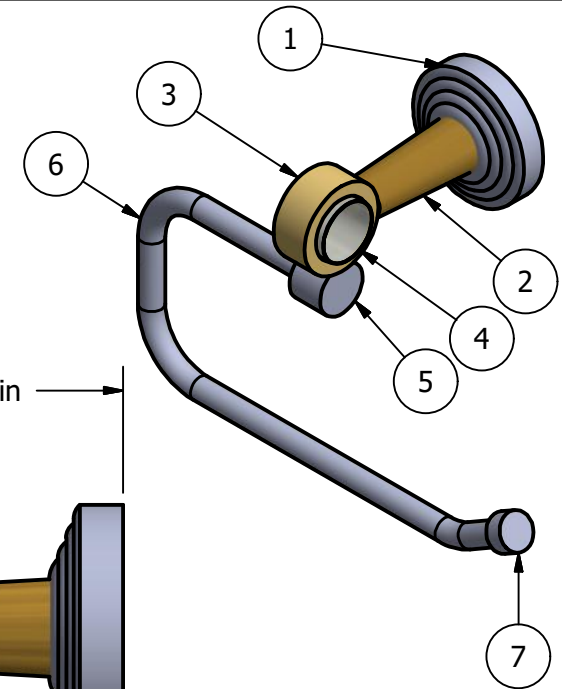
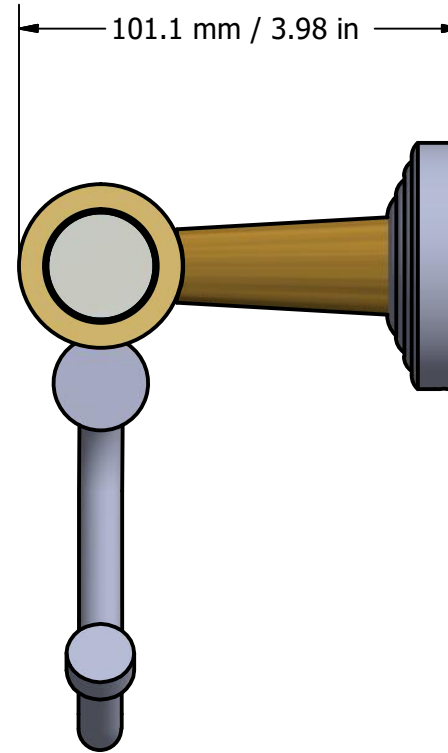
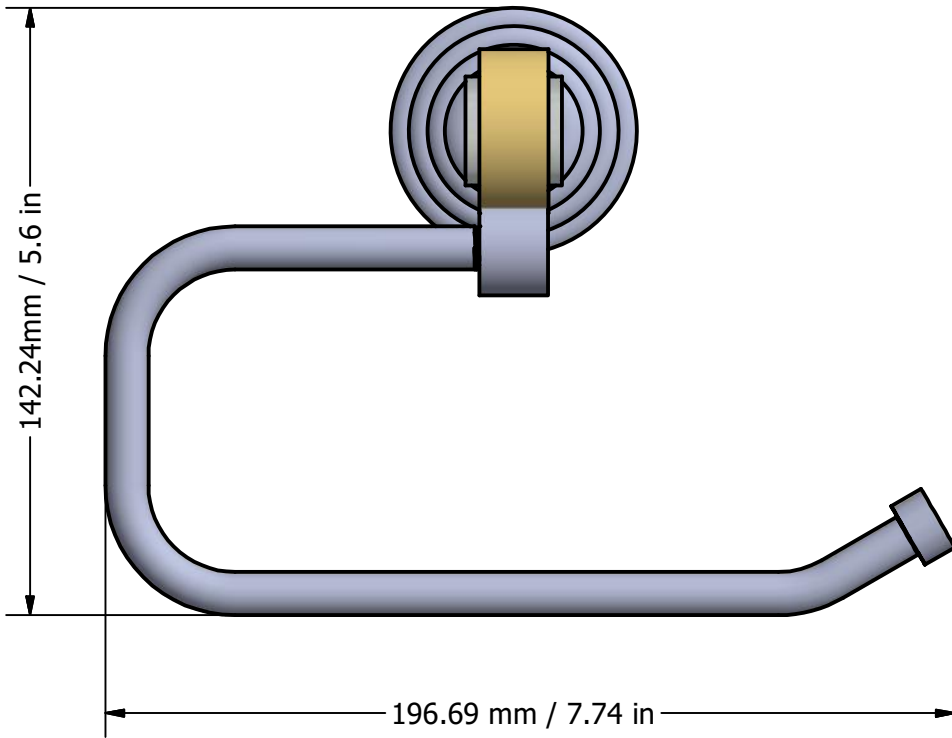


PARTS LIST			
ITEM	QTY	PART NUMBER	DESCRIPTION
1	1	BPWV	BACKPLATE
2	1	CL-TB	POST
3	1	RGSM-D-1	RING WITH NEW SIZE HOLE
4	1	AC-HHUB	ACRYLIC HUB
5	1	HB2T-78	HUB
6	1	HKETS-38	HOOK
7	1	CARD-58	CAP



UNLESS OTHERWISE SPECIFIED	
.X	± .3mm
.XX	± .15mm
.XXX	± .008mm

UNIT IS IN MM.

DRAWN	10-07-18	IM
CHECKED	10-07-18	P.D.
APPROVED	10-07-18	R.A.

MATERIAL:	BRASS
DESCRIPTION:	Pacific Beach Collection European Style Toilet Tissue Holder



APPROVED FOR PRODUCTION
 By: RICHARD PAUL
 Date: 10-15-18

FINISH	TBD
QTY	TBD
DRAWING NO.	PB-24E
SCALE	1.5:1 SHEET: 1 OF 1
REV	0

2

1