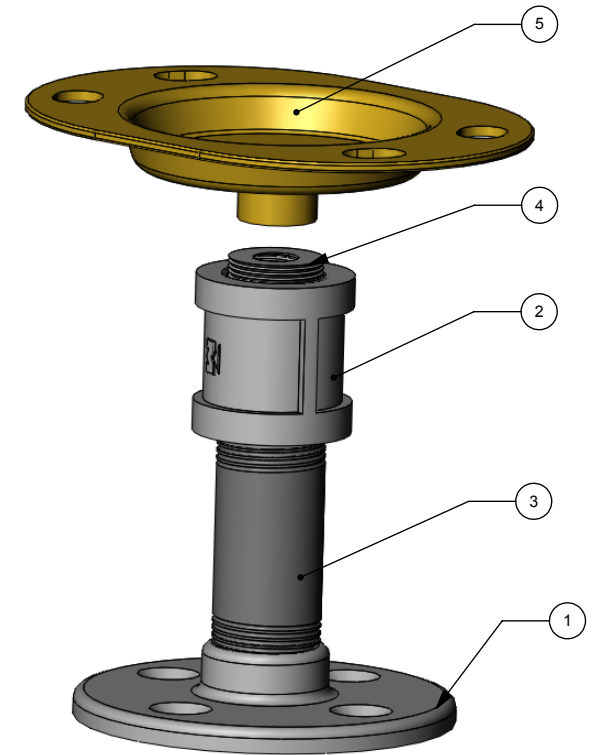
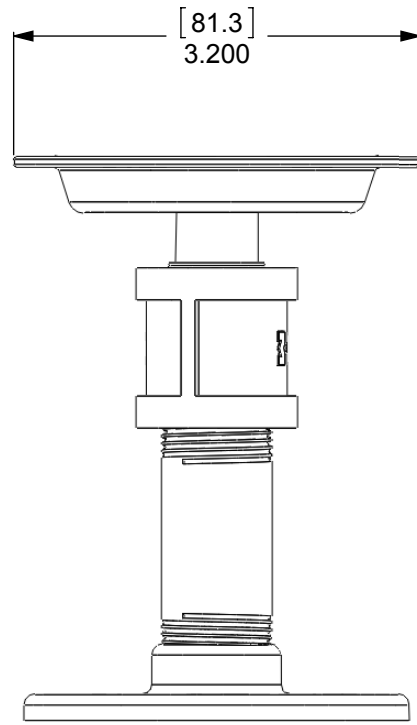
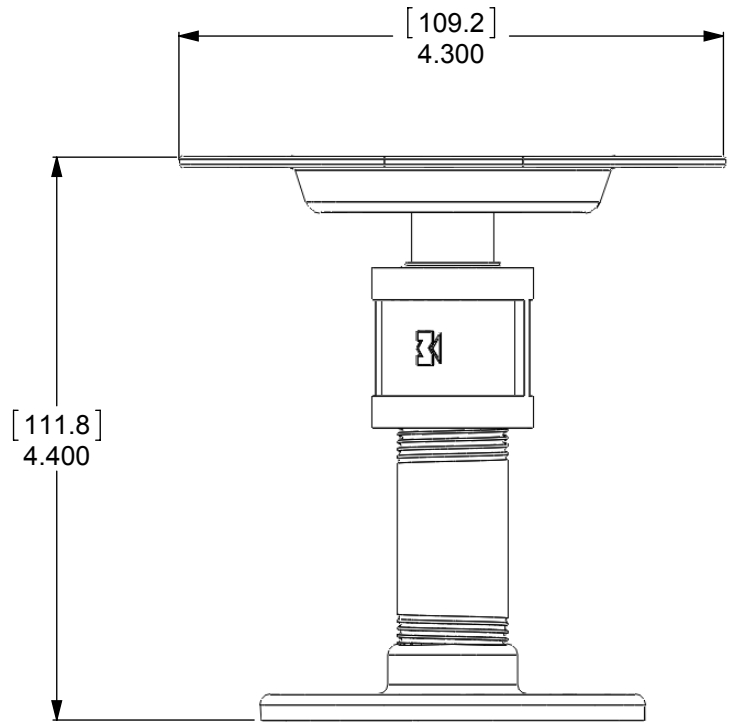
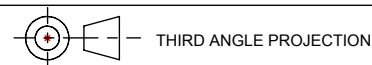


ITEM NO.	PART NUMBER	DESCRIPTION	QTY.
1	PIPE-FL12-3	1/2" FLANGE	1
2	PIPE-CU-12	1/2" CUPLING	1
3	PIPE-NIP12-3	1/2" 3" NIP	1
4	BUS-12X18	1/2" BUSHING	1
5	HROVT	TRAY	1



UNLESS OTHERWISE STATED	
.X	±.3mm
.XX	±.15mm
.XXX	±.008mm

COPYRIGHT © Allied Brass 2017



DRAWN	6/1/2017	I.M
CHECKED	6/1/2017	P.D
APPROVED	6/1/2017	R.A

MATERIAL: BRASS
 DESCRIPTION: Pipeline Collection Vanity Top Toothbrush Holder



APPROVED FOR PRODUCTION
 BY: RICHARD PAUL
 DATE: 06/03/2017

FINISH	TBD
QUANTITY	TBD
DRAWING No.	REV
P-670-FTH	0
SCALE	1:1.5
SHEET: 01	A4