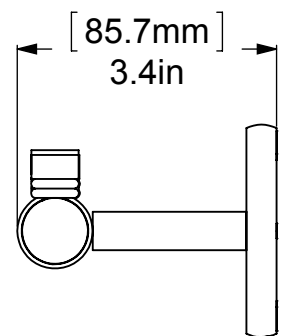
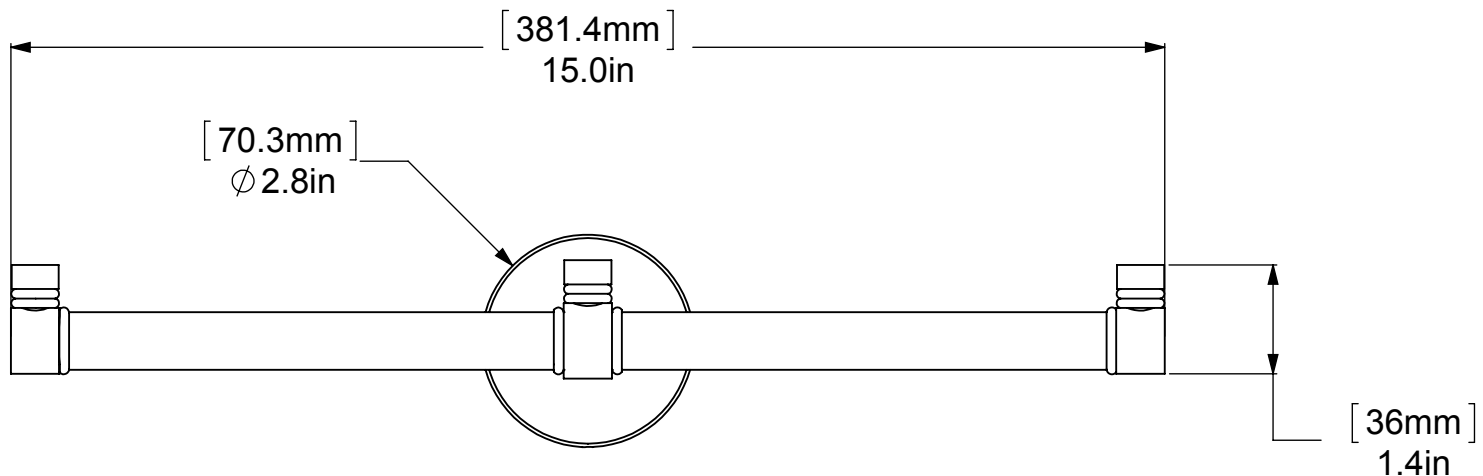
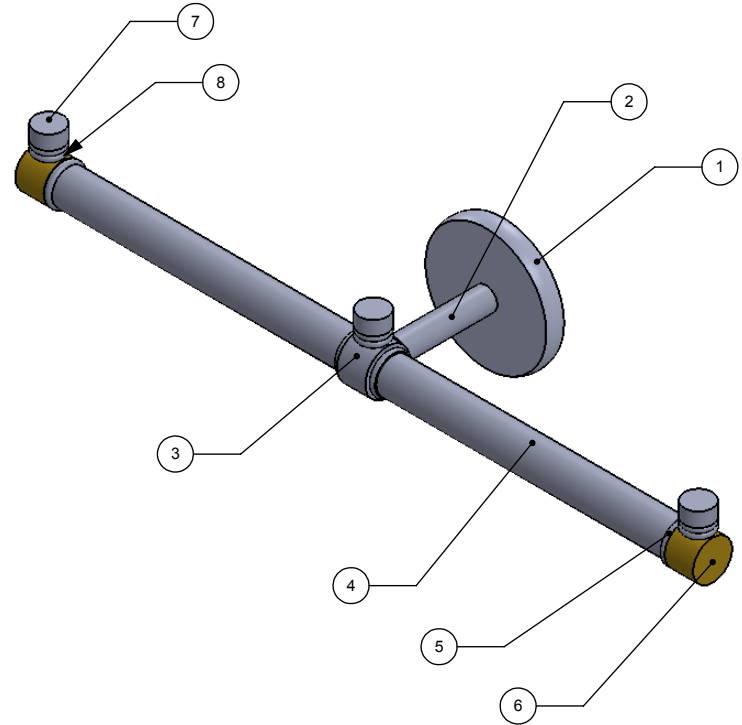


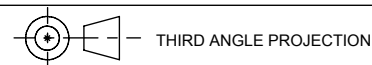
ITEM NO.	P/N	Description	QTY.
1	BPPR	BACKPLATE	1
2	TU12-2	Neck	1
3	HB2T-1	HUB	1
4	TU34-6.5	TUBE	2
5	CRRD-34	RING	4
6	HBBTT-78	END CAP	2
7	CARD-58	TOP	3
8	CRRD-12	RING	6



UNLESS OTHERWISE STATED


.X	±.3mm
.XX	±.15mm
.XXX	±.008mm

COPYRIGHT © Allied Brass 2016



DRAWN	5/4/2016	I.M
CHECKED	5/4/2016	P.D
APPROVED	5/4/2016	R.A

MATERIAL:	BRASS
DESCRIPTION:	TOWEL HOLDER



FINISH	TBD
QUANTITY	TBD
DRAWING No.	P1000-HTB -2
REV	0
SCALE	1:2.5
SHEET: 01	A4