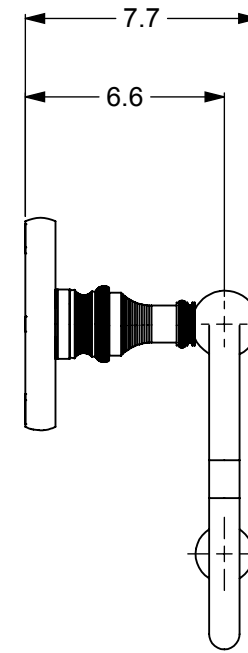
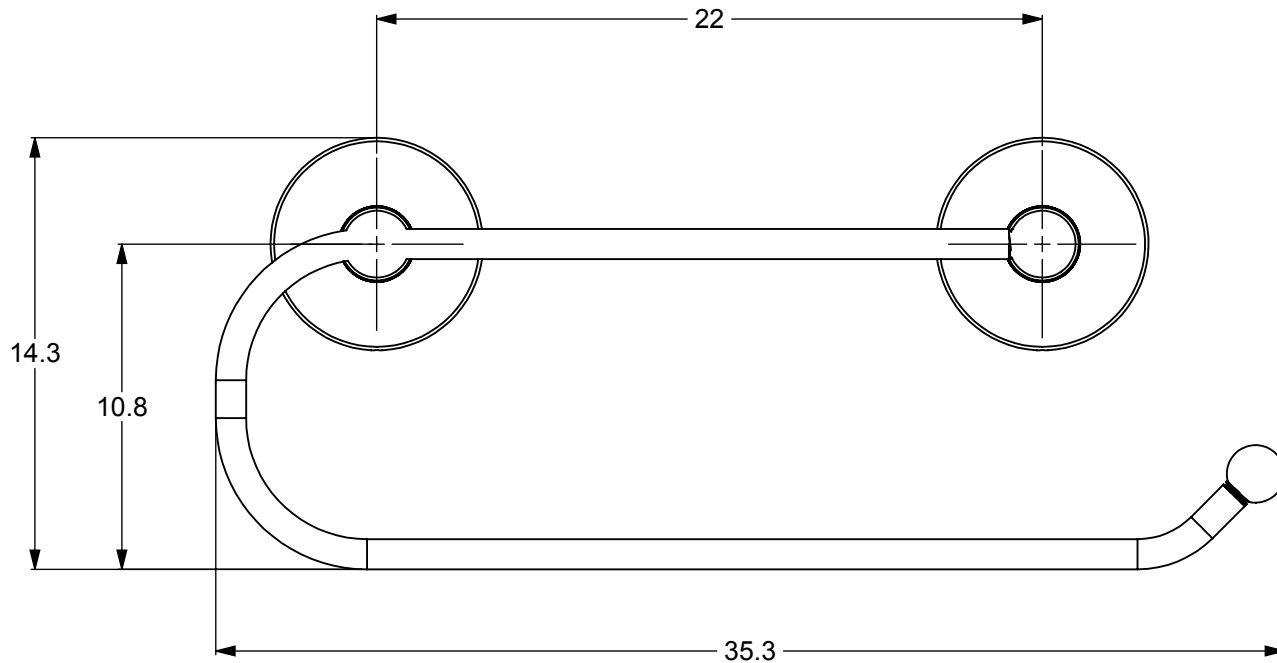
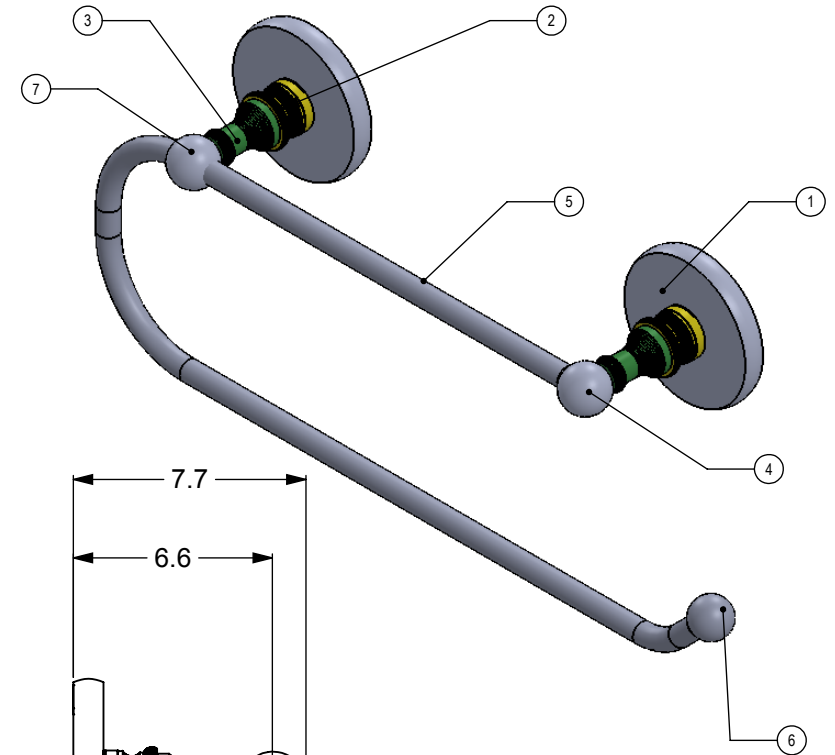


ITEM NO.	PART NUMBER	DESCRIPTION	QTY.
1	BPRD	BASE	2
2	NKSL-58	Support	2
3	NKSL-1.25	BALL 1"	2
4	BL2T-1	END BALL SUPPORT	1
5	HKPAPTS	HOOK	1
6	BL1T-34	End Ball	1
7	BL1T2S-1	BALL SUPPORT-SLIP	1



UNLESS OTHERWISE STATED	
.X	±.3mm
.XX	±.15mm
.XXX	±.008mm

COPYRIGHT © Allied Brass 2016

THIRD ANGLE PROJECTION

DRAWN	4/5/2016	I.M	MATERIAL:	BRASS	FINISH	TBD
CHECKED	4/5/2016	P.D	DESCRIPTION:	Waverly Place Wall Mounted Paper Towel Holder	QUANTITY	TBD
APPROVED	4/5/2016	R.A	DRAWING No.		P1000-25EW	REV
			SCALE	1:2.5	SHEET: 01	A4