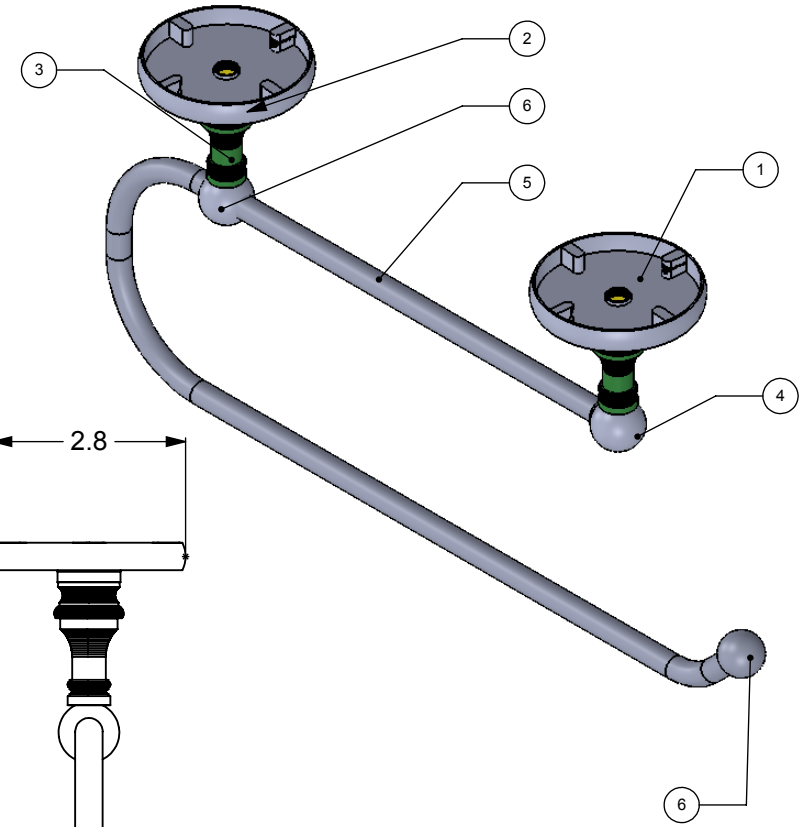
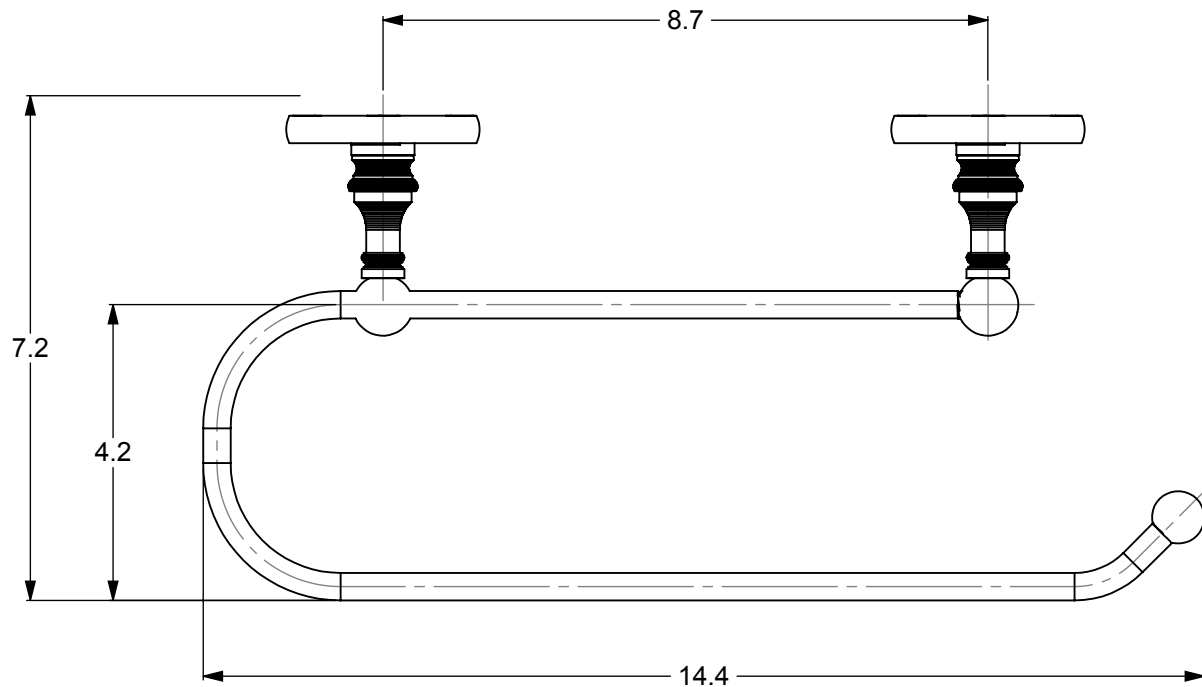


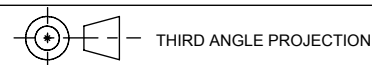
ITEM NO.	PART NUMBER	DESCRIPTION	QTY.
1	BPRD	BASE	2
2	NKSL-58	Support	2
3	NKSL-1.25	BALL 1"	2
4	BL2T-1	END BALL SUPPORT	1
5	HKPAPTS	HOOK	1
6	BL1T-34	End Ball	1
7	BL1T2S-1	BALL SUPPORT-SLIP	1




NOTES:  
1. UNIT IS INCHES.

UNLESS OTHERWISE STATED	
.X	±.3mm
.XX	±.15mm
.XXX	±.008mm

COPYRIGHT © Allied Brass 2016



DRAWN	4/6/2016	I.M
CHECKED	4/6/2016	P.D
APPROVED	4/6/2016	R.A

MATERIAL:	BRASS		FINISH	TBD
DESCRIPTION:	Under Cabinet Paper Towel Holder 		QUANTITY	TBD
			DRAWING No.	REV
			P1000-25EC	0
SCALE	1:2.75	SHEET: 01	A4	