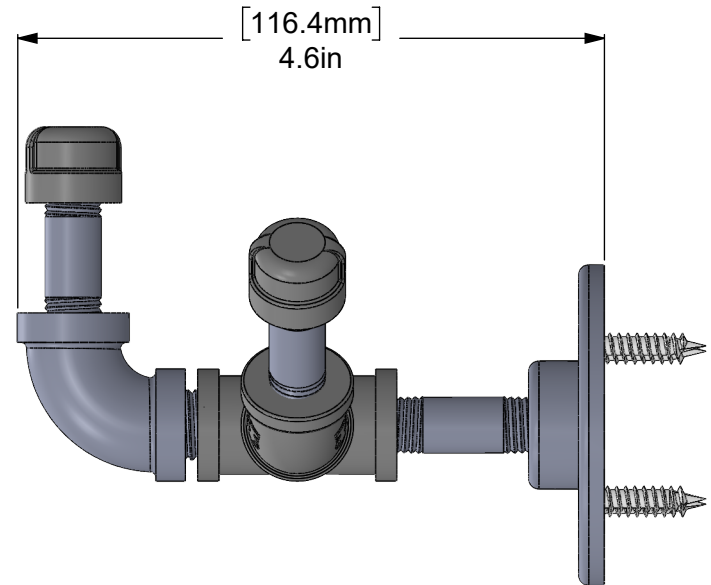
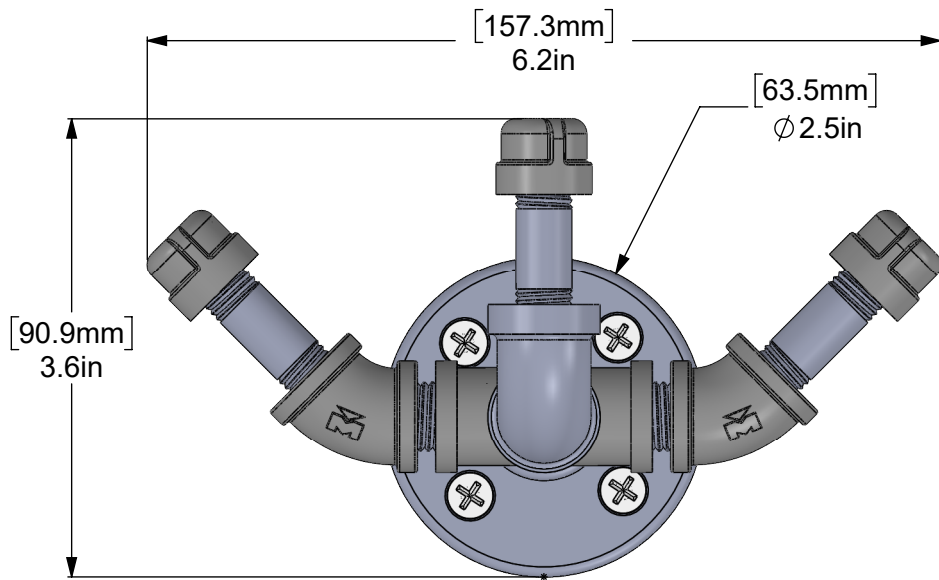
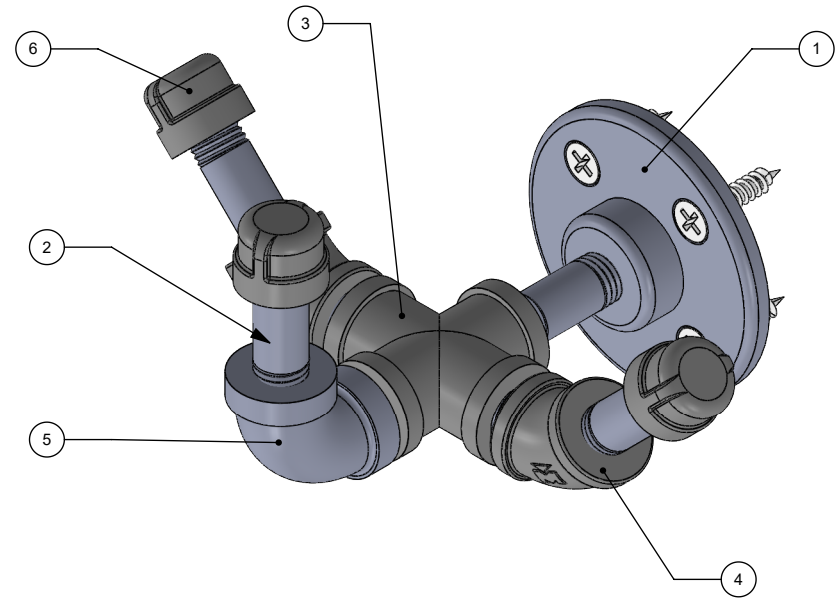


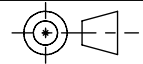
ITEM #	PART NO.	DESCRIPTION	QTY
1	PIPE-FL14-3	BACKPLATE	1
2	PIPE-NIP14-1.5	1/4" NIPPLE 1 1/2"	4
3	PIPE-CROSS-14	1/4"CROSS TEE	1
4	PIPE-EL14-45	1/4" ELBOW 45 DEG	2
5	PIPE-EL14-90	1/4" ELBOW 90 DEG	1
6	PIPE-CAP-14	1/4" CAP	3




UNLESS OTHERWISE STATED

.X	±.3mm
.XX	±.15mm
.XXX	±.008mm

COPYRIGHT © Allied Brass 2022



THIRD ANGLE PROJECTION

DRAWN	6/5/2022	I.M	MATERIAL:	BRASS	FINISH	TBD
CHECKED	6/5/2022	R.P	DESCRIPTION:		QUANTITY	TBD
APPROVED	6/5/2022	R.A	PIPELINE TRI HOOK		DRAWING No.	REV
					P-330-THK	
					SCALE	1:1.5
					SHEET: 01	A4