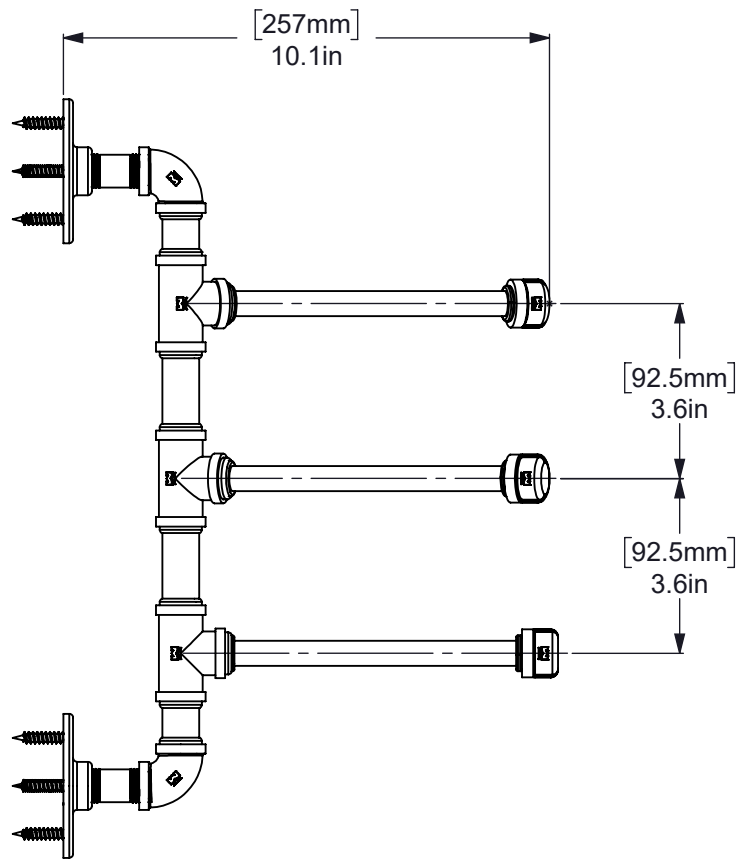
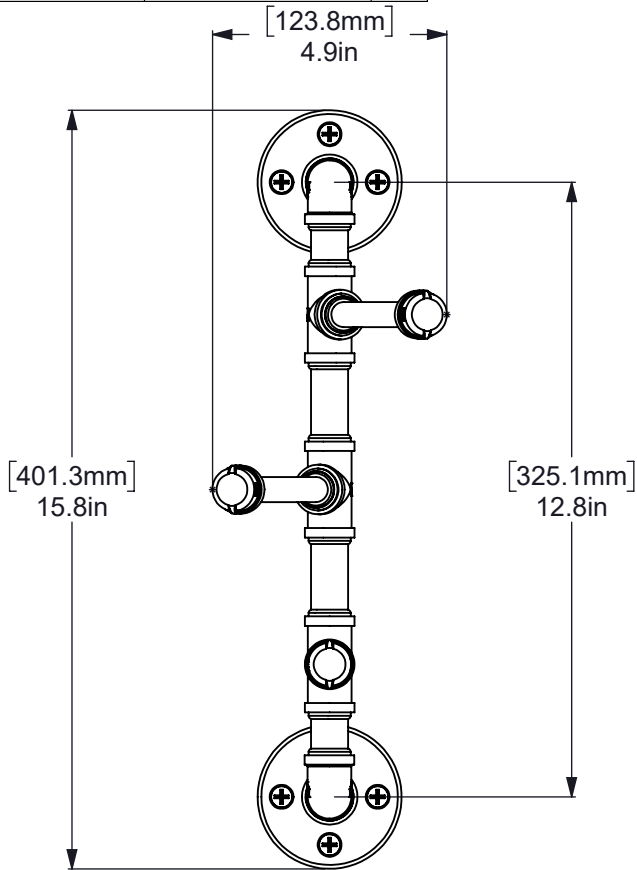
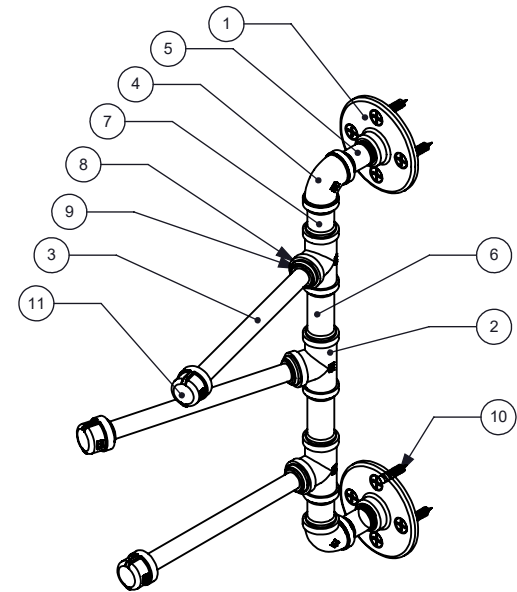


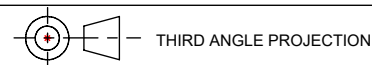
ITEM NO.	PART NUMBER	DESCRIPTION	QTY.
1	PIPE-FL38-3	3/8" FLANGE	2
2	PIPE-TEE-38	3/8" TEE	3
3	TU12-6	1/2" TUBE 6"	3
4	PIPE-EL38-90	3/8" 90 DEG. ELBOW	2
5	PIPE-NIP38-1.5	3/8" 1 1/2" NIP	2
6	TU34-1.5	3/4" TUBE 1.5"	2
7	TU34-0.75	3/4" TUBE 0.75"	2
8	CRBUS-38X18	3/8" BUSHING	11
9	CRRD-12	1/2" CK RING	6
10	WOOD SCREW-12	#12 WOOD SCREW	8
11	PIPE-CAP-14	PIPE CAP	3



UNLESS OTHERWISE STATED

.X	±.3mm
.XX	±.15mm
.XXX	±.008mm

COPYRIGHT © Allied Brass 2022



DRAWN	10/4/2022	I.M
CHECKED	10/4/2022	P.D
APPROVED	10/4/2022	R.A

MATERIAL: BRASS
 DESCRIPTION: Pipeline Collection 3 Swing Arm Vertical Hand Towel Bar



FINISH	TBD
QUANTITY	TBD
DRAWING No.	REV
P-27-SAT-6	0
SCALE	SHEET: 01
1:4	A4