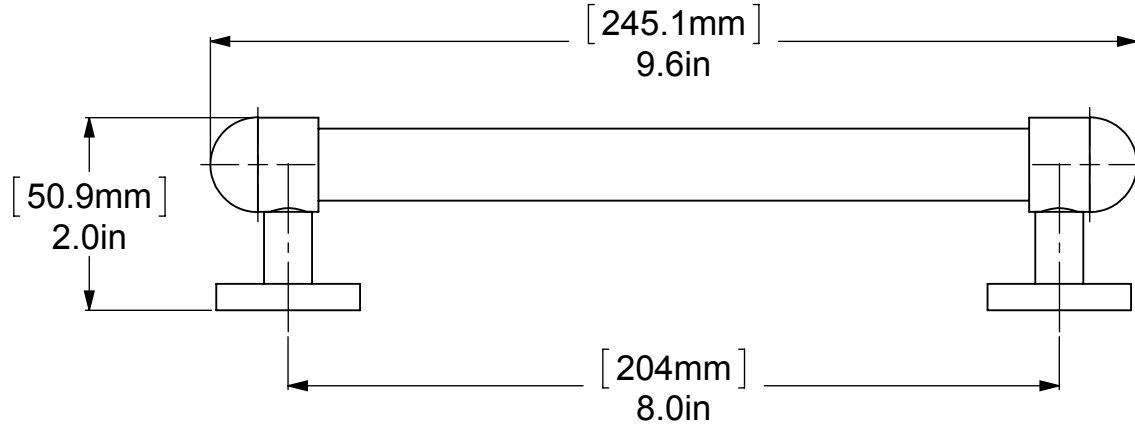
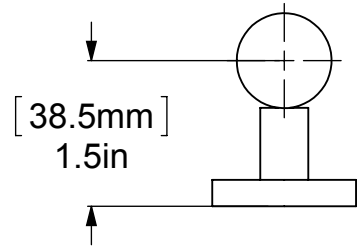
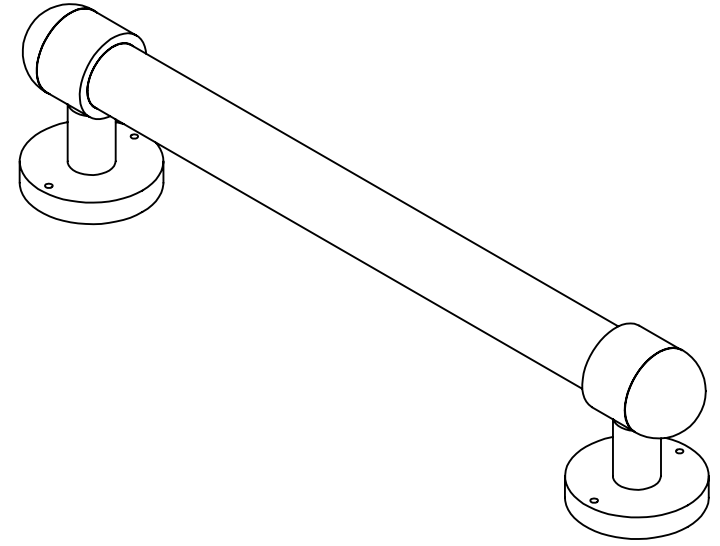
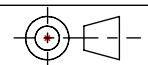


ITEM NO.	PART NUMBER	DESCRIPTION	QTY.
1	LP Casting	BASE	2
2	TU12-.75	SUPPORT	2
3	HB1T-1	Hub	2
4	CAHR-1	CAP	2
5	TU34-7.5	TUBE	1
6	90116A264		4



UNLESS OTHERWISE STATED	
.X	±.3mm
.XX	±.15mm
.XXX	±.008mm

COPYRIGHT © Allied Brass 2017



THIRD ANGLE PROJECTION

DRAWN	5/24/2017	I.M
CHECKED	5/24/2017	P.D
APPROVED	5/24/2017	R.A

MATERIAL:	BRASS
DESCRIPTION:	8 Inch Door Pull

FINISH	TBD
QUANTITY	TBD
DRAWING No.	0-40
REV	0
SCALE	1:2
SHEET	01 A4