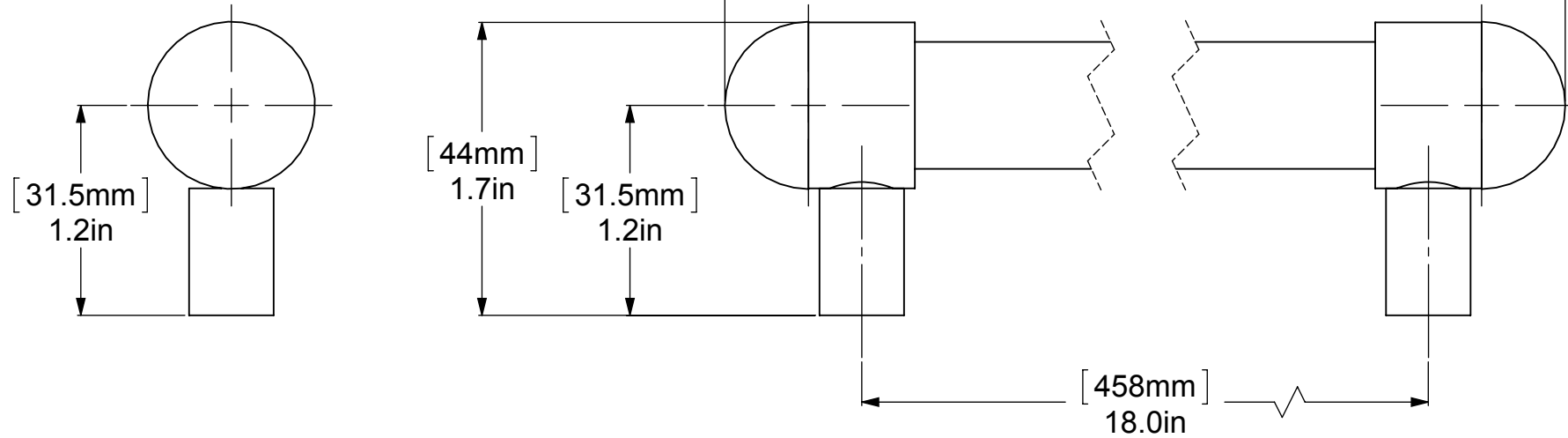
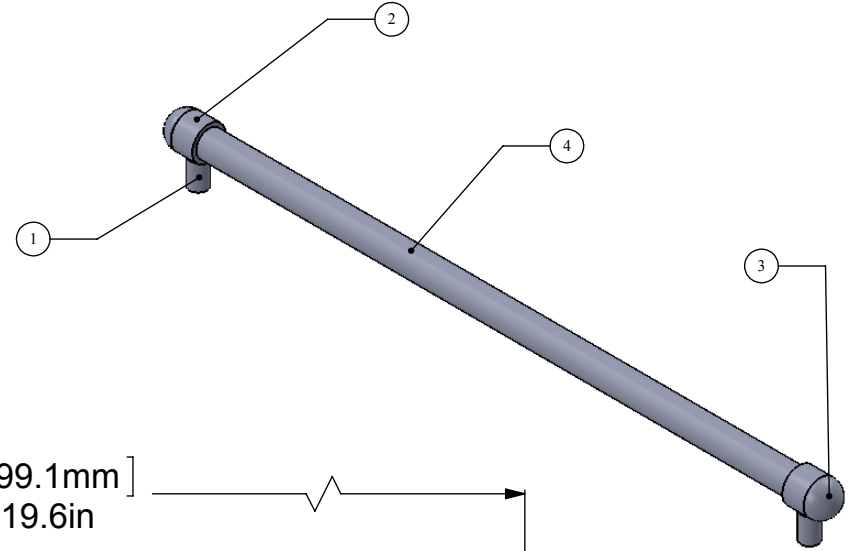


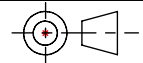
ITEM NO.	PART NUMBER	DESCRIPTION	QTY.
1	PSRD8-12	BASE TUBE	2
2	HB1T-1	Hub	2
3	CAHR-1	CAP	2
4	TU34-18	TUBE	1



UNLESS OTHERWISE STATED

.X	$\pm .3\text{mm}$
.XX	$\pm .15\text{mm}$
.XXX	$\pm .008\text{mm}$

COPYRIGHT © Allied Brass 2017



THIRD ANGLE PROJECTION

DRAWN	5/24/2017	I.M
CHECKED	5/24/2017	P.D
APPROVED	5/24/2017	R.A

MATERIAL: BRASS

DESCRIPTION:  
18 Inch Refrigerator Pull



FINISH	TBD
QUANTITY	TBD
DRAWING No.	REV
O-30-RP	0
SCALE	1:1
SHEET: 01	A4