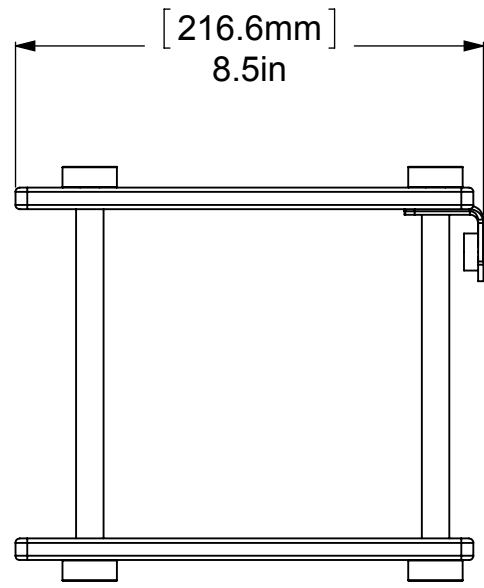
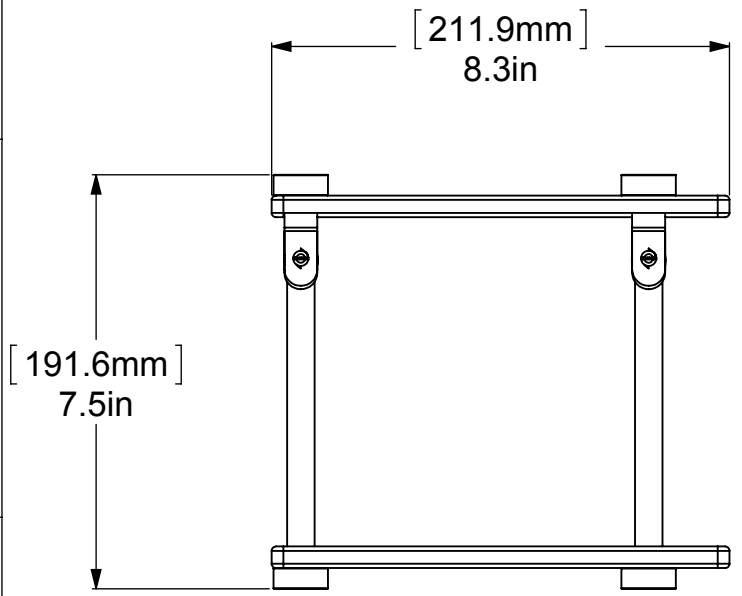
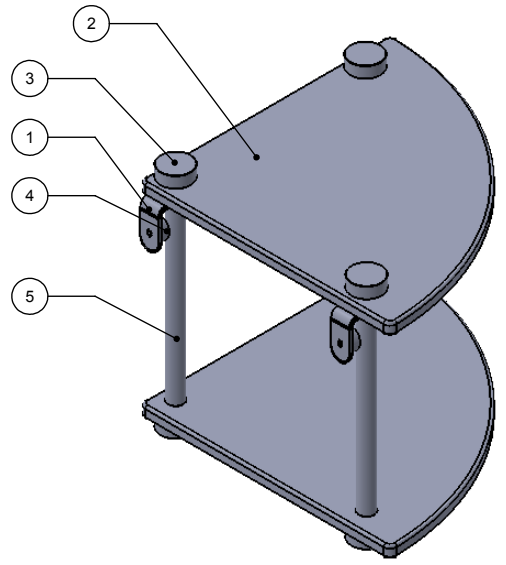
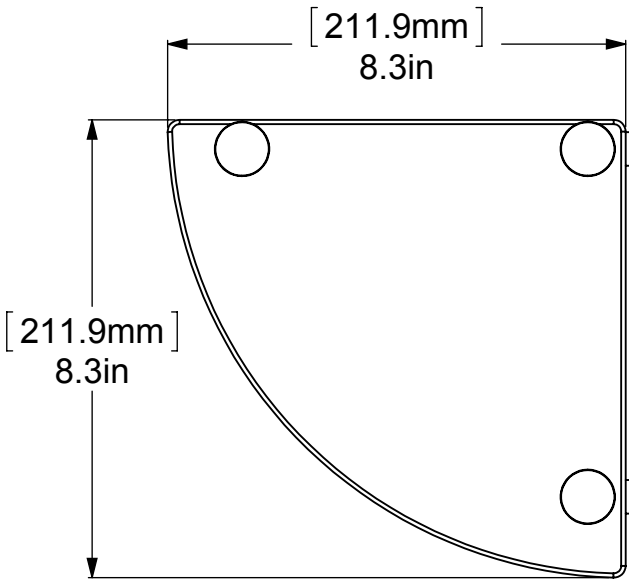


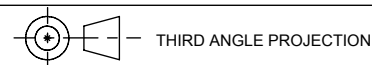
ITEM NO.	P/N	Description	QTY.
1	BKSH-1	BRACKET	2
2	GLRT-8	GLASS	2
3	CARD-1	END CAP	6
4	CARD-58	LOCK	2
5	TU12-6	TUBE SUPPORT	3



UNLESS OTHERWISE STATED

.X	±.3mm
.XX	±.15mm
.XXX	±.008mm

COPYRIGHT © Allied Brass 2016



DRAWN	7/12/2016	I.M
CHECKED	7/12/2016	P.D
APPROVED	7/12/2016	R.A

MATERIAL:	BRASS
DESCRIPTION:	SHELF



FINISH	TBD
QUANTITY	TBD
DRAWING No.	NS-3
REV	0
SCALE	1:3.5
SHEET: 01	A4