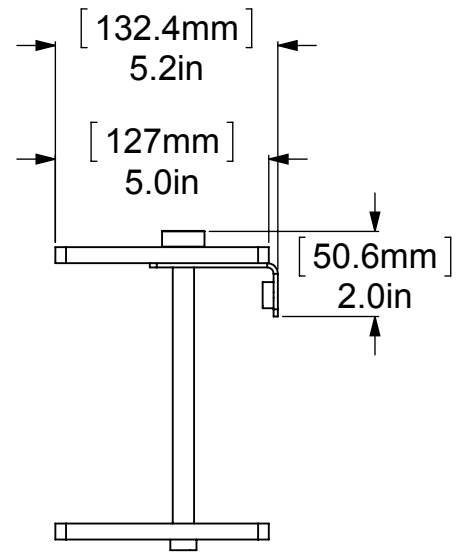
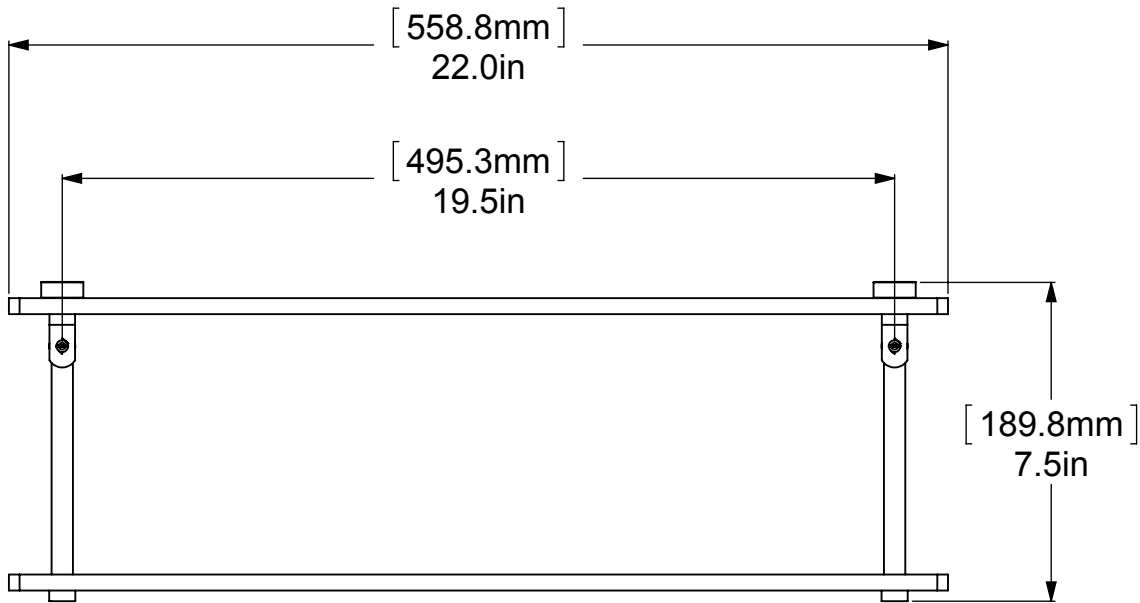
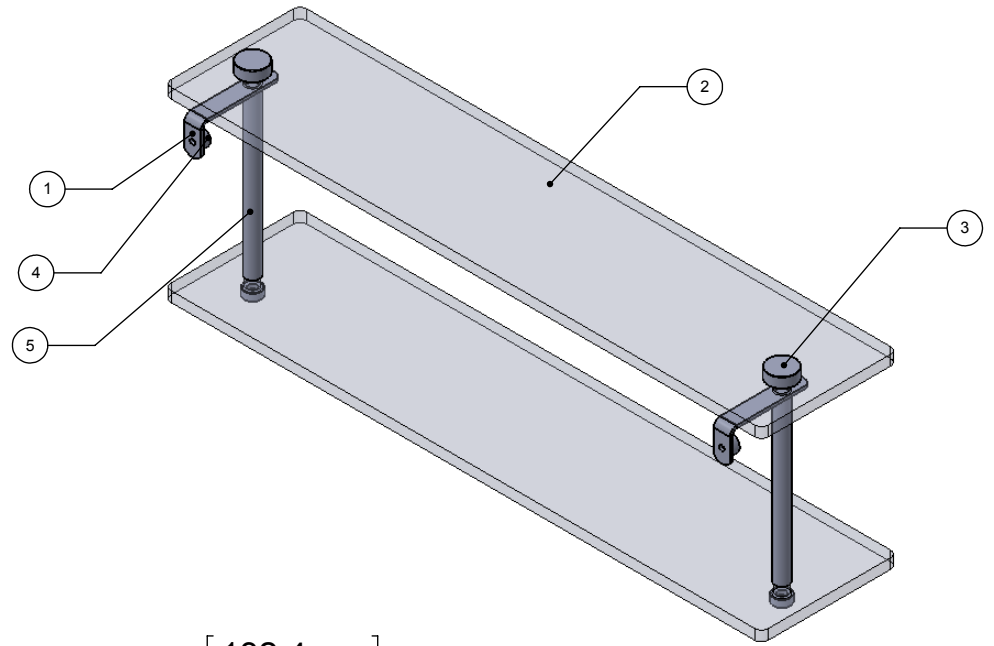


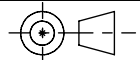
ITEM NO.	P/N	Description	QTY.
1	BKSH-2AD	BRACKET	2
2	GLRT-22	GLASS	2
3	CARD-1	END CAP	2
4	CARD-58	LOCK	4
5	TU12-6	TUBE	2



UNLESS OTHERWISE STATED

.X	$\pm .3\text{mm}$
.XX	$\pm .15\text{mm}$
.XXX	$\pm .008\text{mm}$

COPYRIGHT © Allied Brass 2016



THIRD ANGLE PROJECTION

DRAWN	6/26/2016	I.M	MATERIAL:	BRASS	FINISH	TBD	
CHECKED	6/26/2016	P.D	DESCRIPTION:	SHELF	QUANTITY	TBD	
APPROVED	6/26/2016	R.A			DRAWING No.	REV	
					NS-2-22		
					SCALE	1:4.5	SHEET: 01