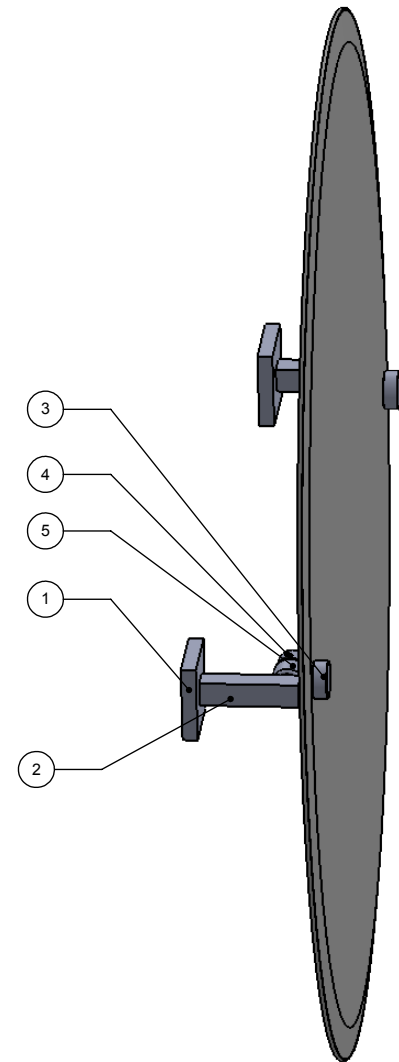
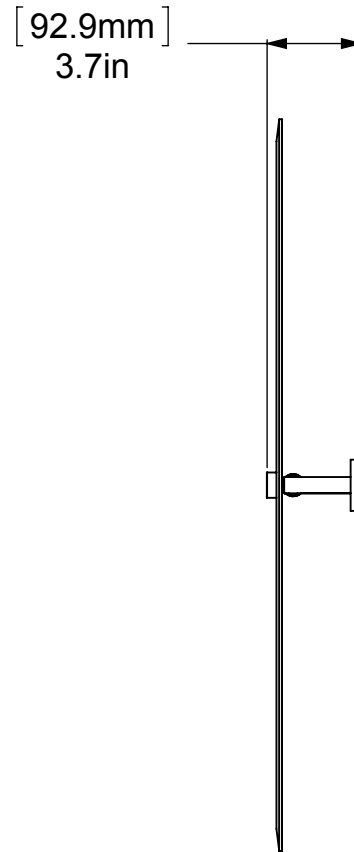
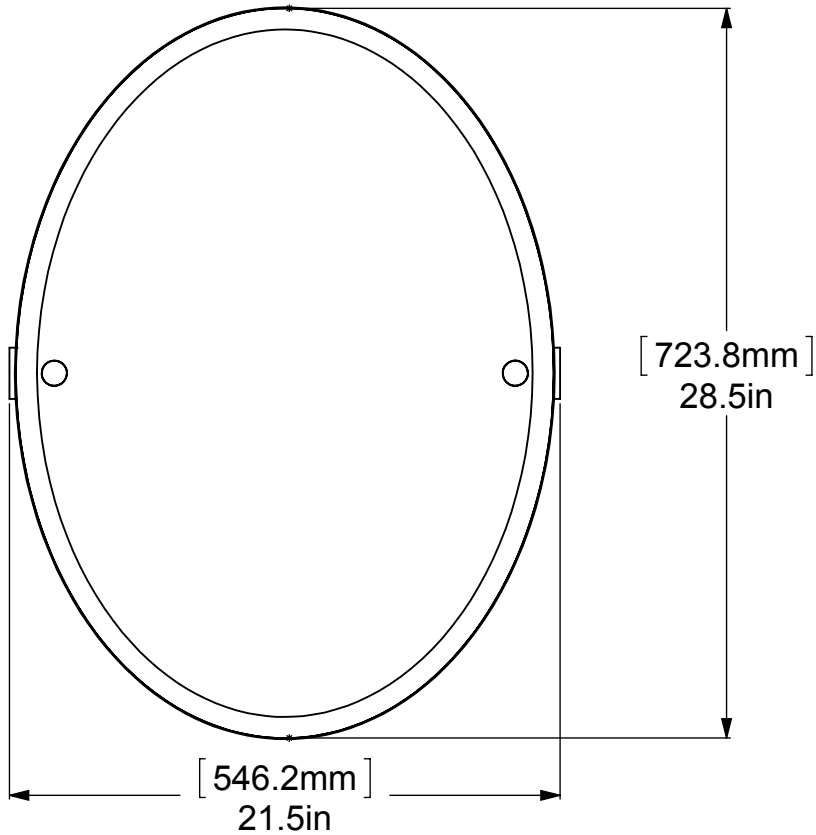


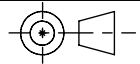
ITEM NO.	P/N	Description	QTY.
1	BPSQ	BACKPLATE	2
2	HKSQ-2.5	Neck	2
3	CARD-1	LOCK	2
4	LNMR-38	HUB	2
5	MR-TILT-FITT	TILT ADJUSTER	2
6	MROV-91	MIRROR	1



UNLESS OTHERWISE STATED

.X	±.3mm
.XX	±.15mm
.XXX	±.008mm

COPYRIGHT © Allied Brass 2016



THIRD ANGLE PROJECTION

DRAWN	6/11/2016	I.M	MATERIAL:	BRASS	FINISH	TBD	
CHECKED	6/11/2016	P.D	DESCRIPTION:	MIRROR	QUANTITY	TBD	
APPROVED	6/11/2016	R.A			DRAWING No.	REV	
					MT-91		
					SCALE	1:8	SHEET: 01