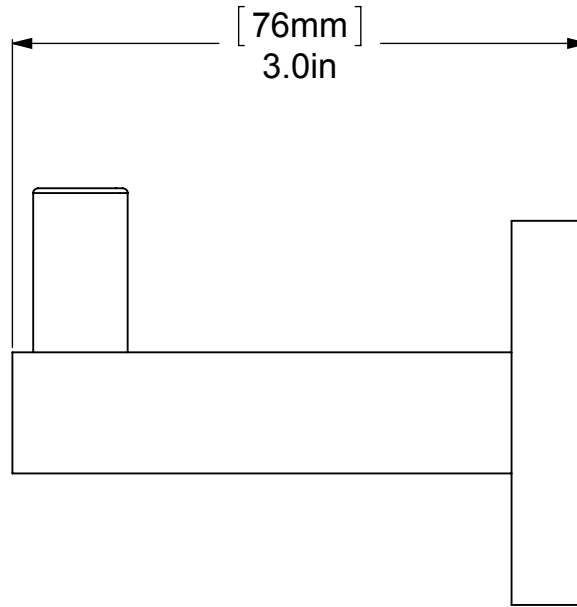
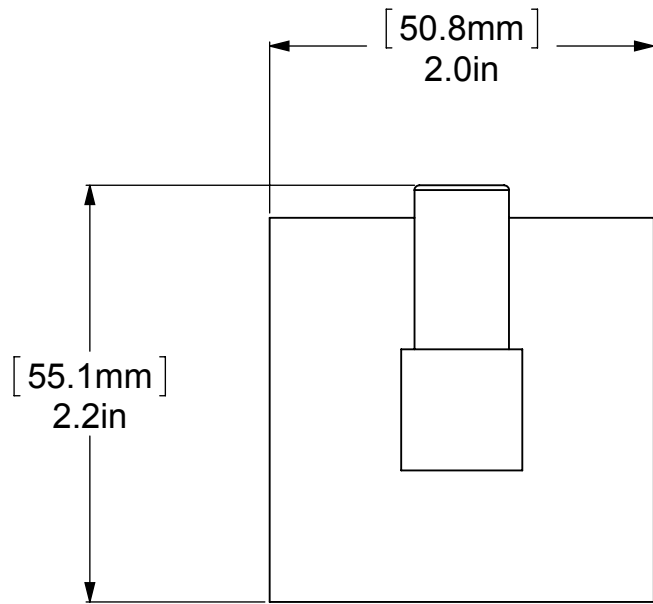
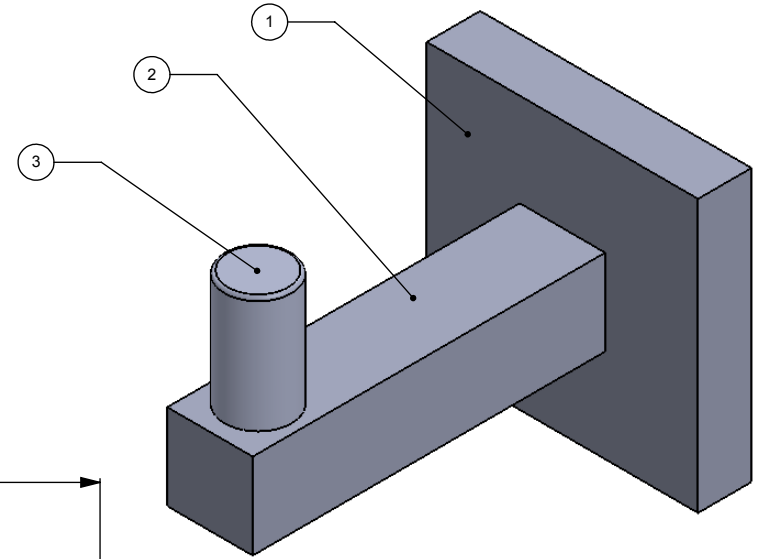


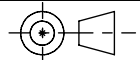
ITEM NO.	P/N	Description	QTY.
1	BPSQ	BACKPLATE	1
2	TBSQ-3.25	Neck	1
3	FR-PEG	PEG	1




UNLESS OTHERWISE STATED

.X	$\pm .3\text{mm}$
.XX	$\pm .15\text{mm}$
.XXX	$\pm .008\text{mm}$

COPYRIGHT © Allied Brass 2016



THIRD ANGLE PROJECTION

DRAWN	4/28/2016	I.M	MATERIAL:	BRASS	FINISH	TBD
CHECKED	4/28/2016	P.D	DESCRIPTION:		QUANTITY	TBD
APPROVED	4/28/2016	R.A	ROBE HOOK		DRAWING No.	REV
					MT-20	0
				SCALE	1:1	SHEET: 01 A4