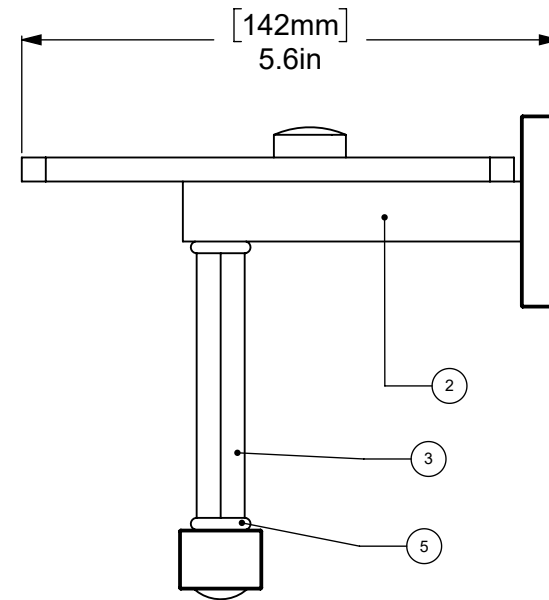
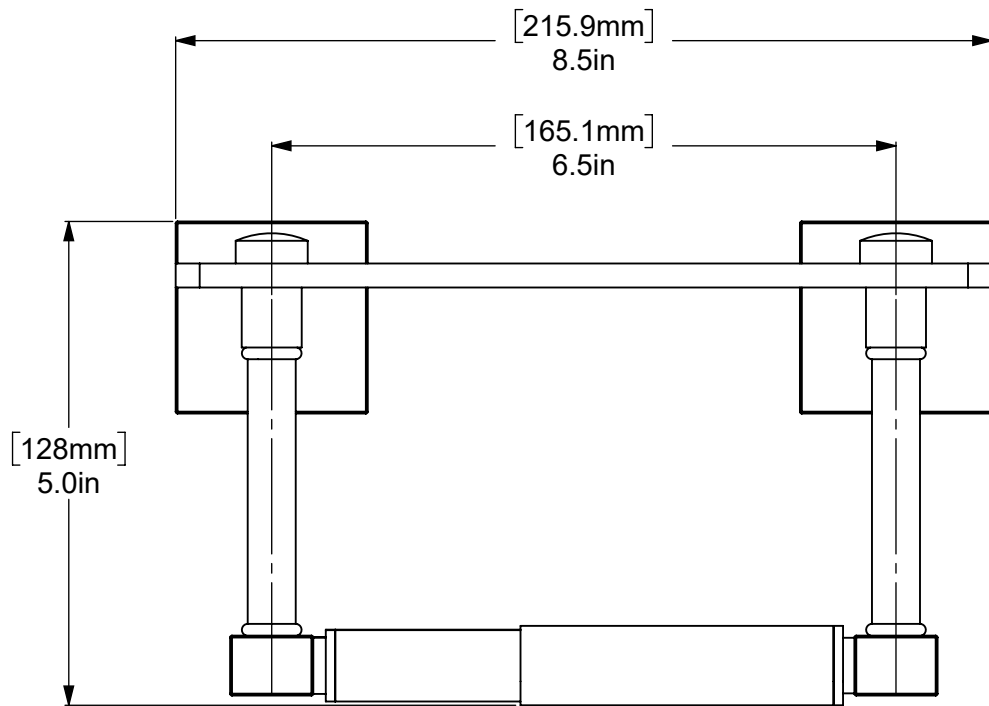
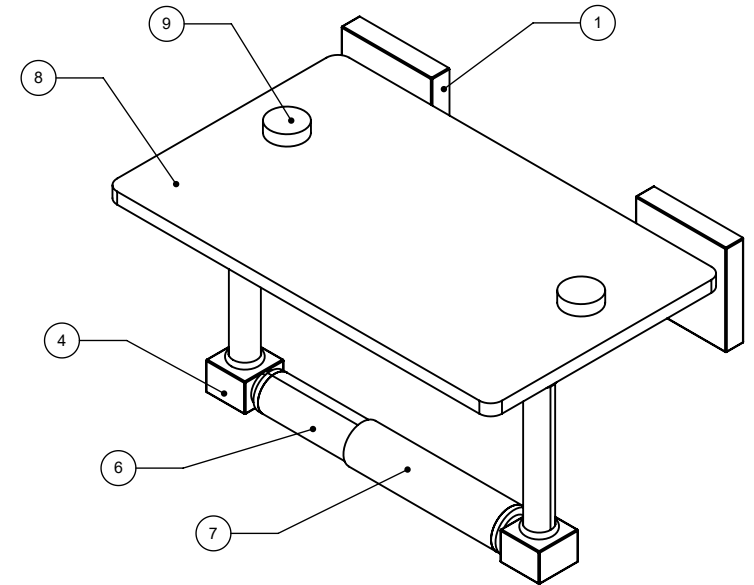


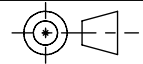
ITEM #	PART NO.	DESCRIPTION	QTY
1	BPSQ-2-UN	BACKPLATE	2
2	TPSHSQ-3	POST	2
3	TU12-3-UN	TUBE	4
4	HBSQ-78-UN	SQ. HUB	2
5	CRRD-12-UN	CK RING	4
6	RLB-L-UN	ROLLER - LEFT	2
7	RLB-R-UN	ROLLER - RIGHT	2
8	GL-24	GLASS SHELF	1
9	CARD-34	CAP	2



UNLESS OTHERWISE STATED

.X	±.3mm
.XX	±.15mm
.XXX	±.008mm

COPYRIGHT © Allied Brass 2022



THIRD ANGLE PROJECTION

DRAWN	6/5/2022	I.M
CHECKED	6/5/2022	R.P
APPROVED	6/5/2022	R.A

MATERIAL:	BRASS
DESCRIPTION:	MONTARO 2 POST T.P. HLDR W/GLASS SHELF



FINISH	TBD
QUANTITY	TBD
DRAWING No.	REV
MT-GLT-24	0
SCALE	1:2 SHEET: 01 A4