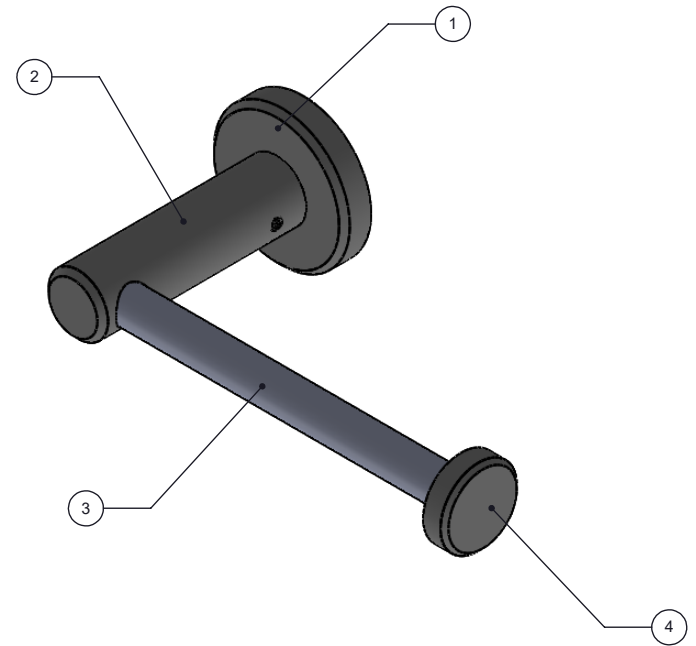
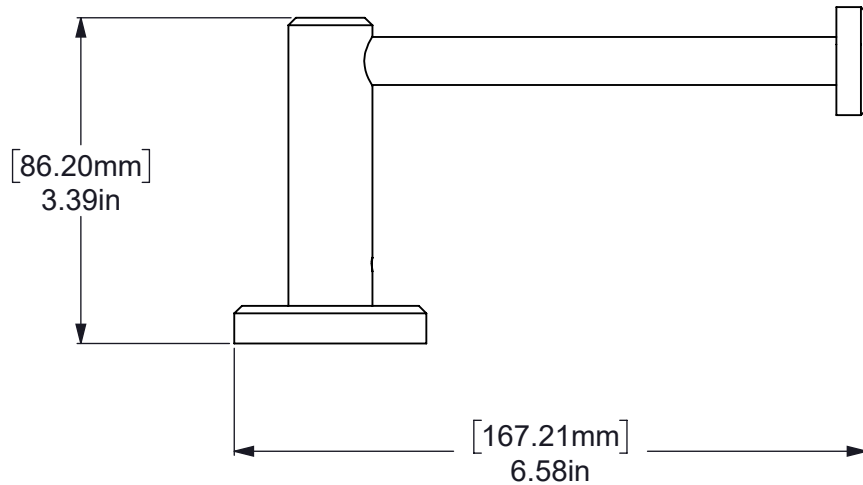
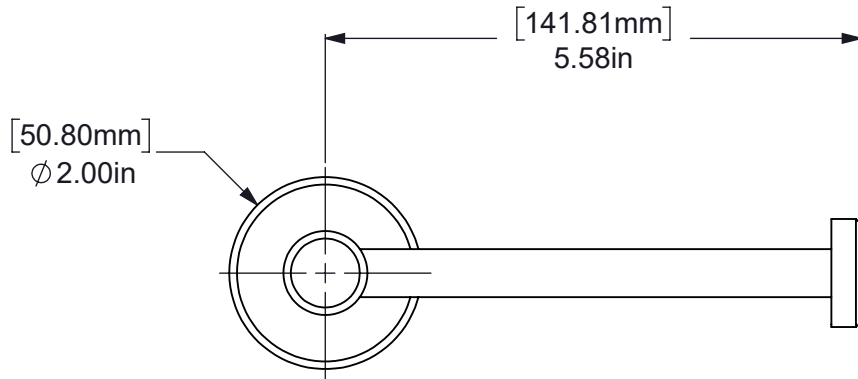


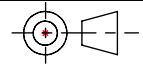
ITEM #	PART NO.	DESCRIPTION	QTY
1	BPEC	BACKPLATE	1
2	TBEC-3	TOWEL BAR POST	1
3	TU12-5.5	TUBE	1
4	CARD-MB	MALIBU CAP	1



UNLESS OTHERWISE STATED


.X	$\pm .3\text{mm}$
.XX	$\pm .15\text{mm}$
.XXX	$\pm .008\text{mm}$

COPYRIGHT © Allied Brass 2022



THIRD ANGLE PROJECTION

DRAWN	9/27/2022	I.M
CHECKED	9/27/2022	R.P
APPROVED	9/27/2022	R.A

MATERIAL:	BRASS	
DESCRIPTION:	<p>Malibu Collection Euro Style Toilet Tissue Holder</p> 	

FINISH	TBD	
QUANTITY	TBD	
DRAWING No.	<p>MB-24E</p>	
SCALE	1:2	SHEET: 01
REV	0	
	A4	