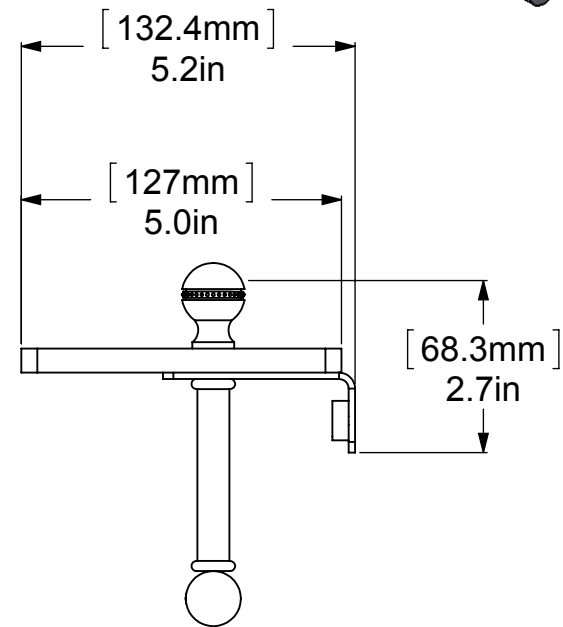
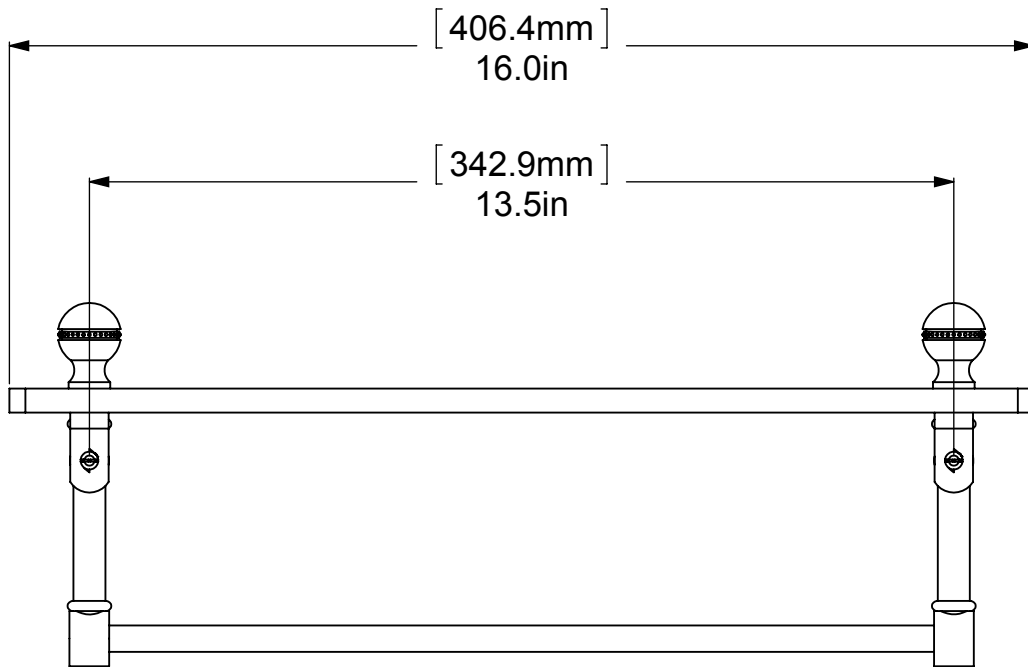
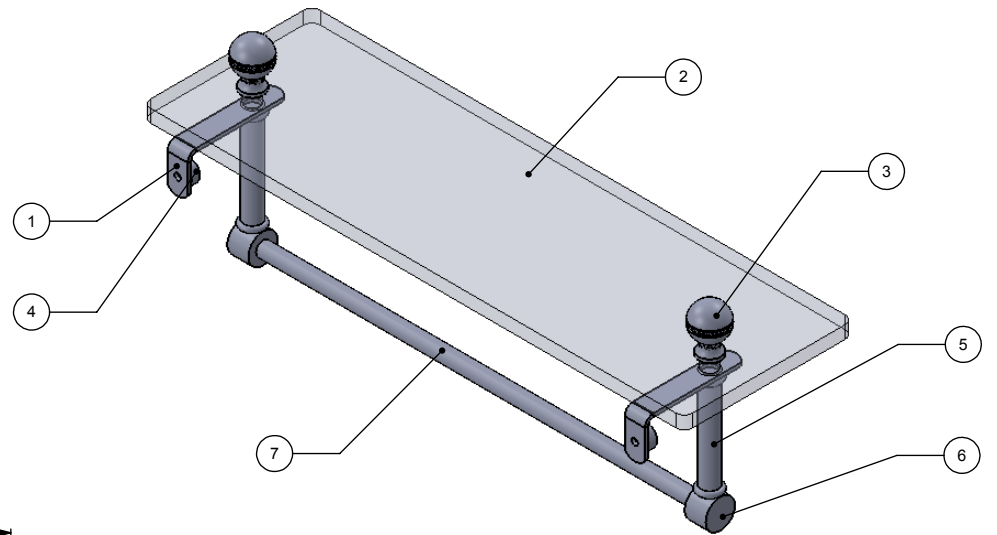


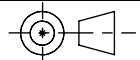
ITEM NO.	P/N	Description	QTY.
1	BKSH-2AD	BRACKET	2
2	GLRT-16	GLASS	2
3	MA-FT	END CAP	2
4	CARD-58	LOCK	2
5	TU12-3	TUBE SUPPORT	2
6	HBBTT-78	END HUB	2
7	TU38-13.5	TUBE	1



UNLESS OTHERWISE STATED

.X	±.3mm
.XX	±.15mm
.XXX	±.008mm

COPYRIGHT © Allied Brass 2016



THIRD ANGLE PROJECTION

DRAWN	7/7/2016	I.M	MATERIAL:	BRASS	FINISH	TBD	
CHECKED	7/7/2016	P.D	DESCRIPTION:	SHELF	QUANTITY	TBD	
APPROVED	7/7/2016	R.A			DRAWING No.	REV	
					MA-1-16		
					SCALE	1:3	SHEET: 01