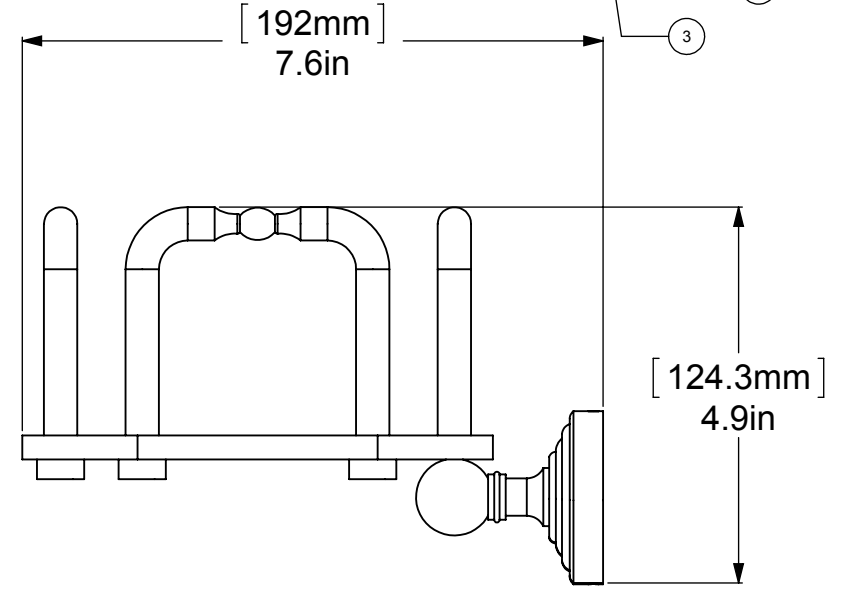
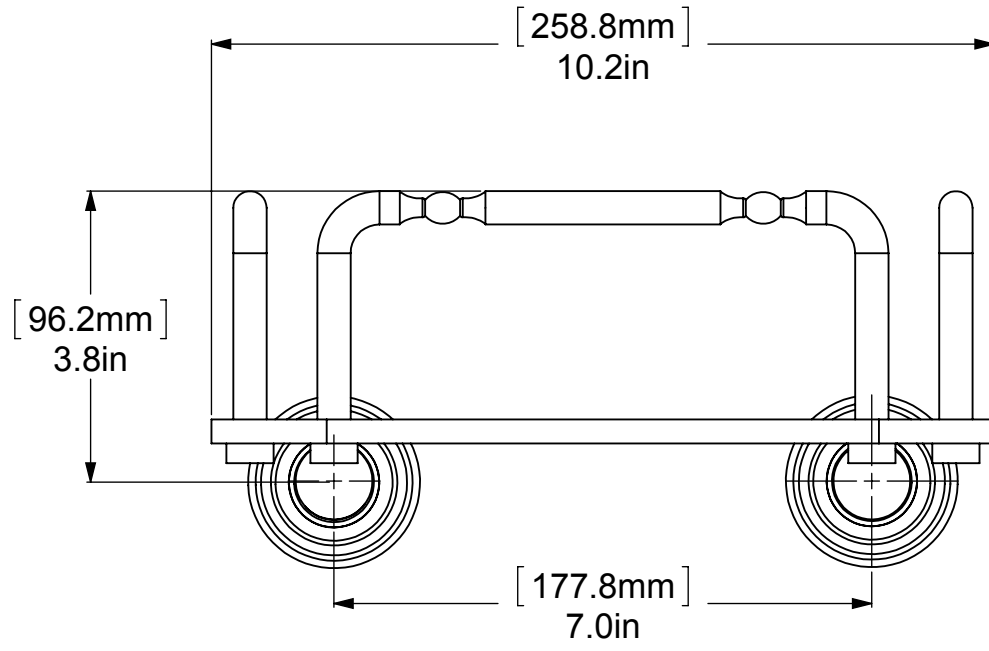
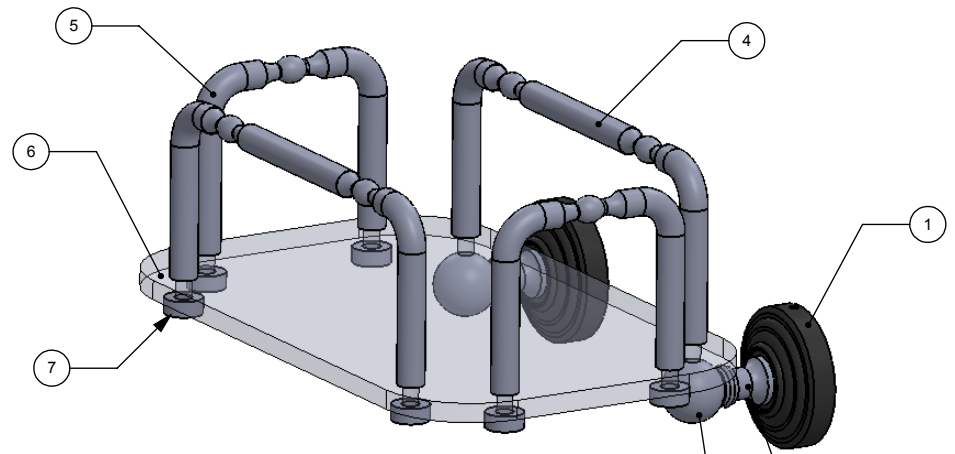


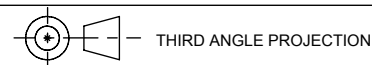
ITEM NO.	P/N	Description	QTY.
1	BPWV	BACKPLATE	2
2	NKSL-78	SUPPORT	2
3	BLT2T-1	BALL	2
4	GT-3	LONG RAIL	2
5	GT-2	SHORT RAIL	2
6	GT-1-GL	GLASS	1
7	CARD-58	CAP	4



UNLESS OTHERWISE STATED

.X	±.3mm
.XX	±.15mm
.XXX	±.008mm

COPYRIGHT © Allied Brass 2016



DRAWN	2/6/2016	I.M
CHECKED	2/6/2016	P.D
APPROVED	2/6/2016	R.A

MATERIAL:	BRASS
DESCRIPTION:	TOWEL HOLDER



FINISH	TBD
QUANTITY	TBD
DRAWING No.	REV
GT-2WP	0
SCALE	1:2.5
SHEET: 01	A4