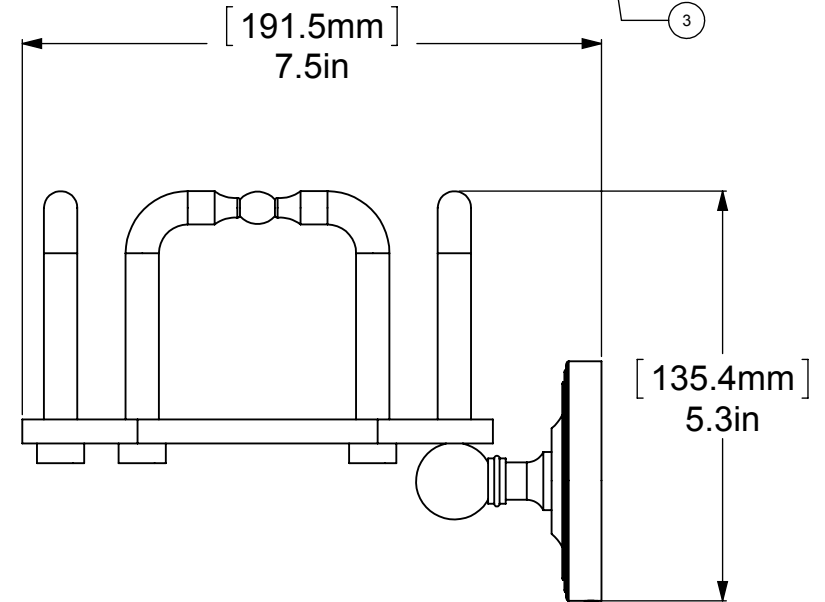
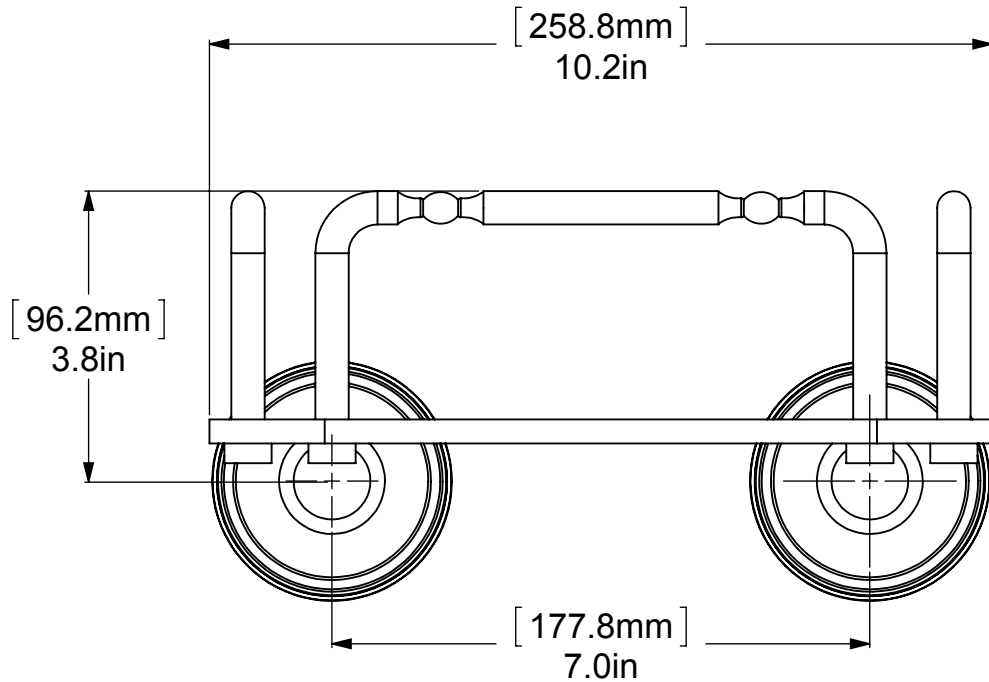
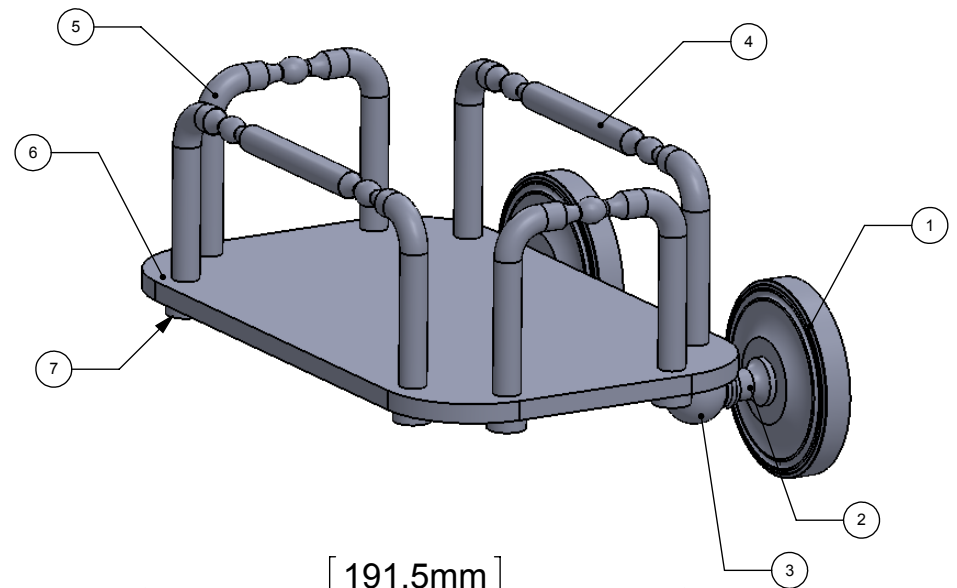


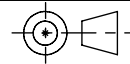
ITEM NO.	P/N	Description	QTY.
1	BPPR	BACKPLATE	2
2	NKSL-78	SUPPORT	2
3	BLT2T-1	BALL	2
4	GT-3	LONG RAIL	2
5	GT-2	SHORT RAIL	2
6	GT-1-GL	GLASS	1
7	CARD-58	CAP	4




UNLESS OTHERWISE STATED

.X	±.3mm
.XX	±.15mm
.XXX	±.008mm

COPYRIGHT © Allied Brass 2016



THIRD ANGLE PROJECTION

DRAWN	2/6/2016	I.M	MATERIAL:	BRASS	FINISH	TBD
CHECKED	2/6/2016	P.D	DESCRIPTION:		QUANTITY	TBD
APPROVED	2/6/2016	R.A	TOWEL HOLDER		DRAWING No.	REV
					GT-2-PR	0
				SCALE	1:2.5	SHEET: 01 A4