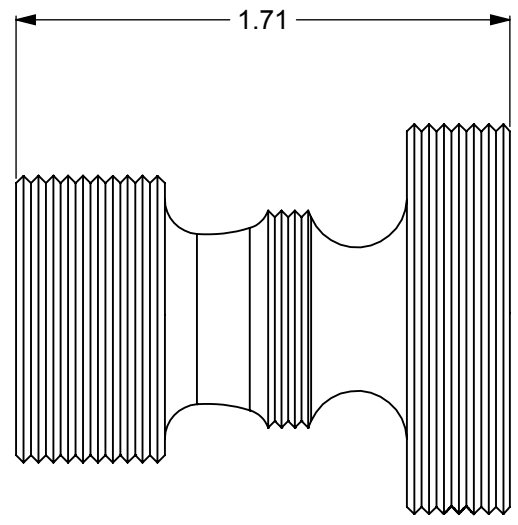
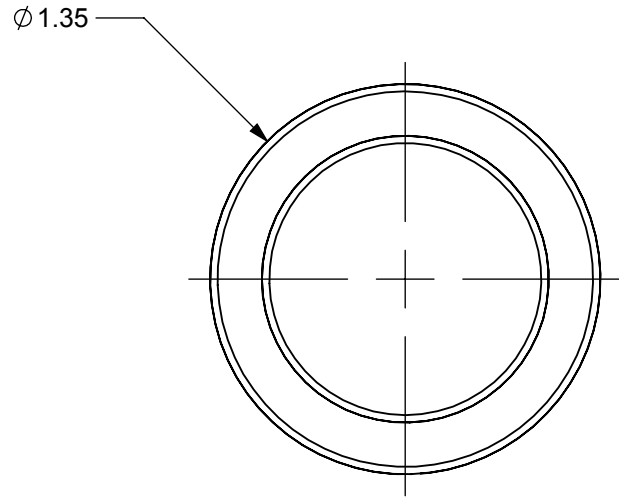
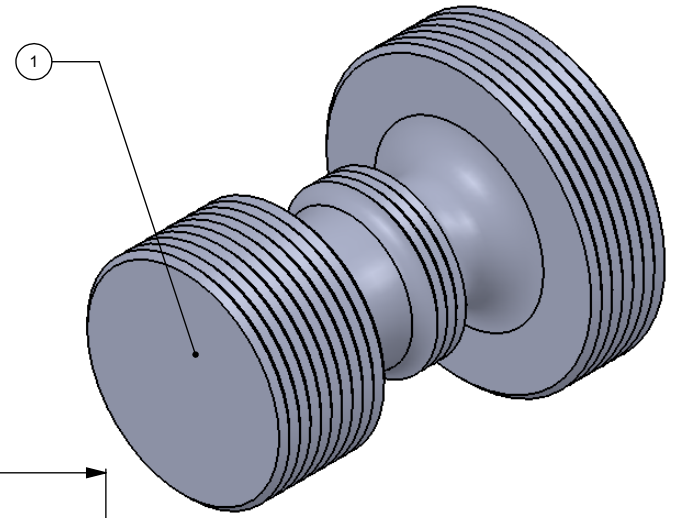


ITEM NO.	P/N	DESCRIPTION	QTY.
1	PSFT	BASE	1

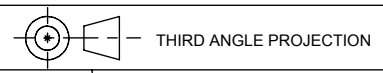


NOTES:  
1. UNIT IS IN INCHES

UNLESS OTHERWISE STATED

.X	±.3mm
.XX	±.15mm
.XXX	±.008mm

COPYRIGHT © Allied Brass 2016



DRAWN	2-5-2016	I.M
CHECKED	2-5-2016	P.D
APPROVED	2-5-2016	R.A

MATERIAL:	BRASS
DESCRIPTION:	TOWEL RING

FINISH	TBD
QUANTITY	TBD
DRAWING No.	REV
FT-20	0
SCALE	1.5:1
SHEET: 01	A4