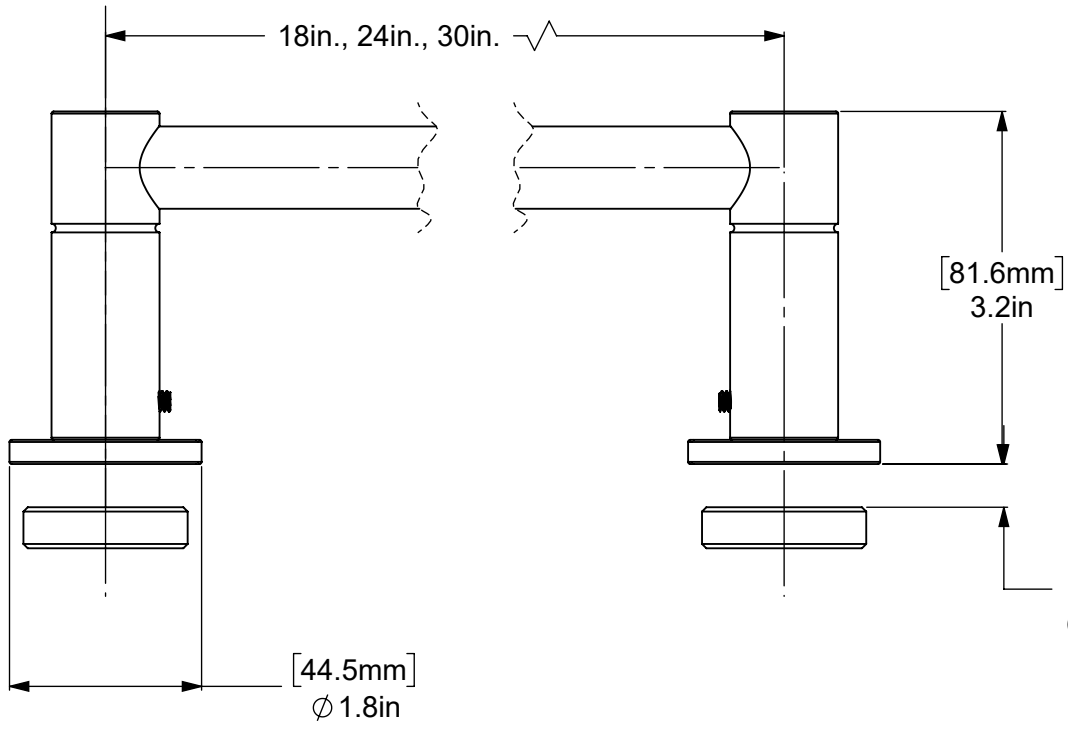
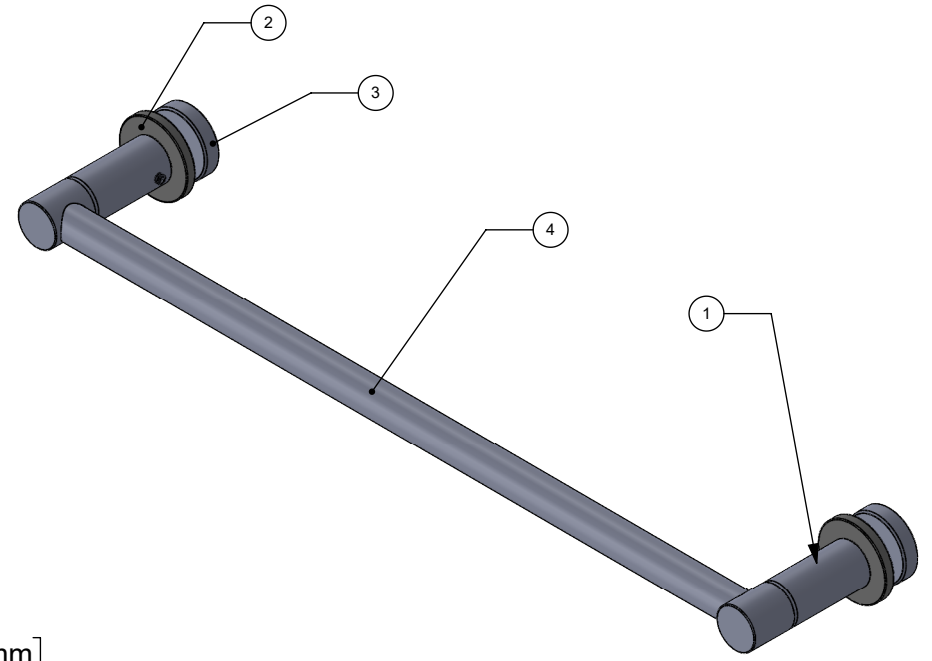


ITEM #	PART NO.	DESCRIPTION	QTY
1	FR-TB	POST	2
2	FR-BP	BACK PLATE	2
3	FR-CAP	CAP	2
4	TU34-18.25,24.25,30.25	TUBE	1

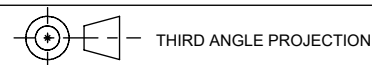


[10mm]  
.4in  
GLASS THICKNESS

UNLESS OTHERWISE STATED

.X	±.3mm
.XX	±.15mm
.XXX	±.008mm

COPYRIGHT © Allied Brass 2022



DRAWN	6/4/2022	I.M
CHECKED	6/4/2022	R.P
APPROVED	6/4/2022	R.A

MATERIAL:	BRASS
DESCRIPTION:	FRESNO SHOWER DOOR TOWEL BAR



FINISH	TBD
QUANTITY	TBD
DRAWING No.	FR-41-SM
REV	0
SCALE	1:1.75
SHEET: 01	A4