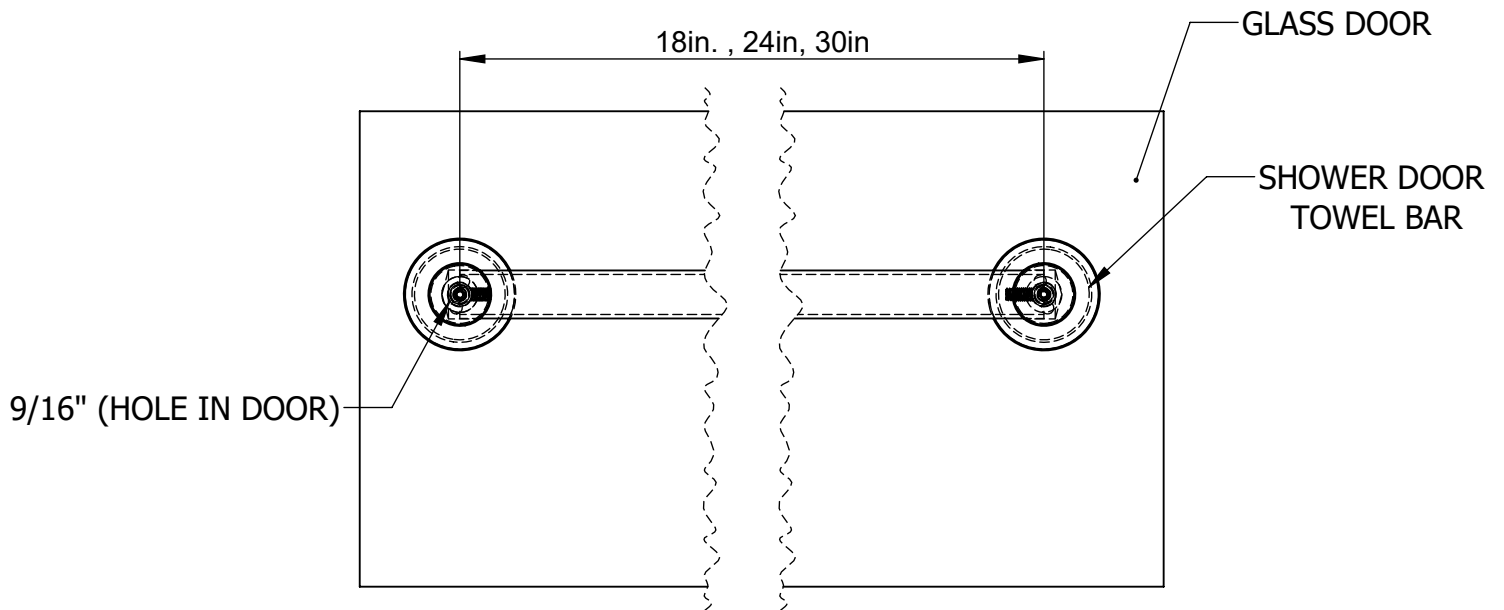


## INSTALLATION INSTRUCTIONS

### Step 1: Drill $\varnothing 9/16$ " Holes into Glass Door

Determine your desired location for installation and make 2 marks for the location for mounting.. Drill  $\varnothing 9/16$ " hole at each of the marks.



### Step 2: Shower Door Towel Bar Mounting

Mount Shower Door Towel Bar to Door as below.

