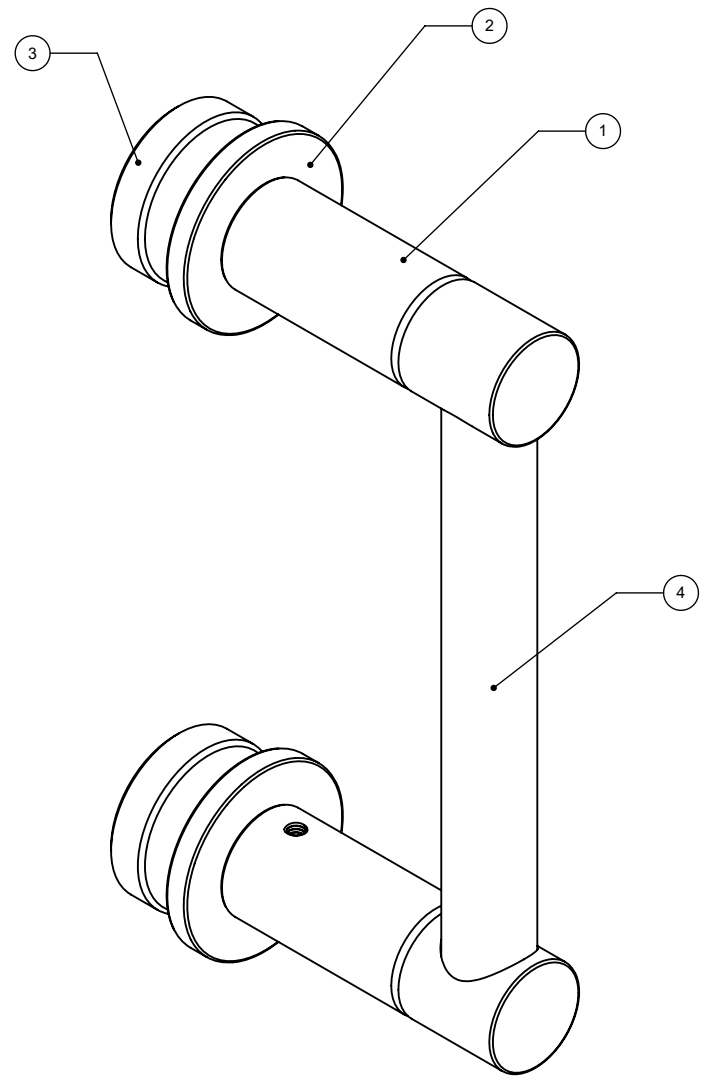
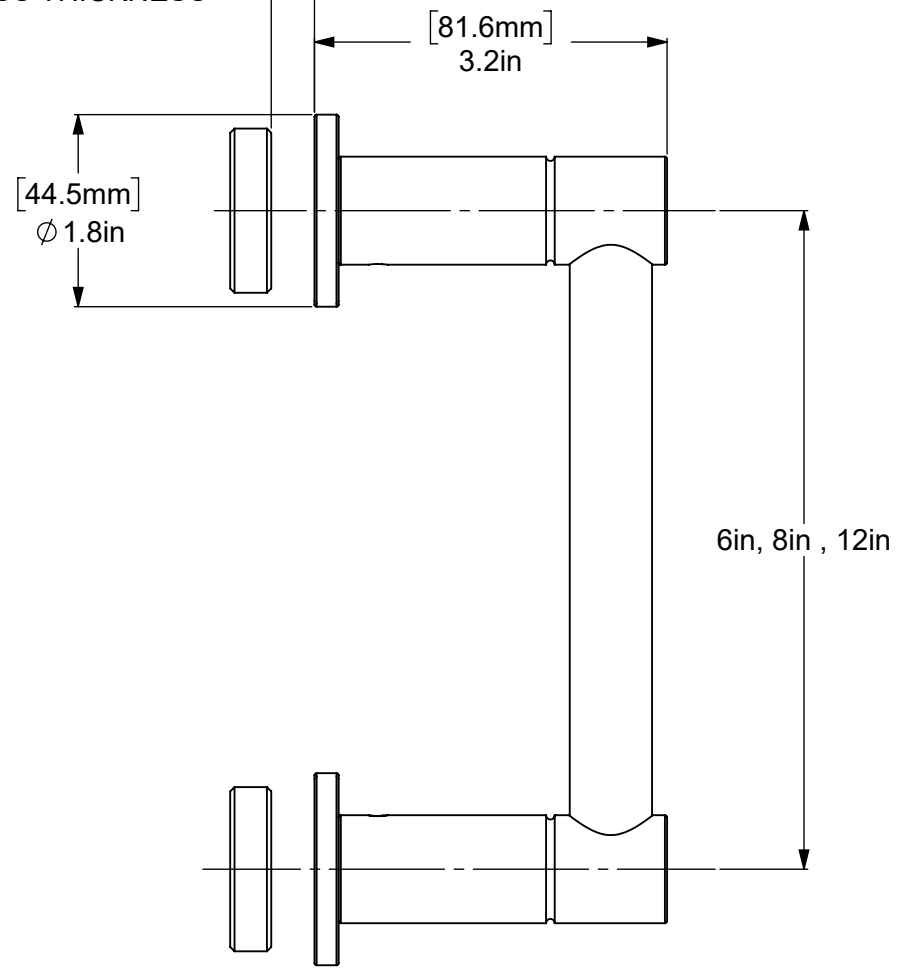


ITEM #	PART NO.	DESCRIPTION	QTY
1	FR-TB	POST	2
2	FR-BP	BACK PLATE	2
3	FR-CAP	CAP	2
4	TU34-6.25,8.25,12.25	TUBE	1

[10mm]
.4in = GLASS THICKNESS



UNLESS OTHERWISE STATED

.X	$\pm .3\text{mm}$
.XX	$\pm .15\text{mm}$
.XXX	$\pm .008\text{mm}$

COPYRIGHT © Allied Brass 2022



DRAWN	5/27/2022	I.M
CHECKED	5/27/2022	R.P
APPROVED	5/27/2022	R.A

MATERIAL:	BRASS
DESCRIPTION:	FRESNO SHOWER DOOR PULL



FINISH	TBD
QUANTITY	TBD
DRAWING No.	FR-409-SM
REV	0
SCALE	1:1.75
SHEET: 01	A4