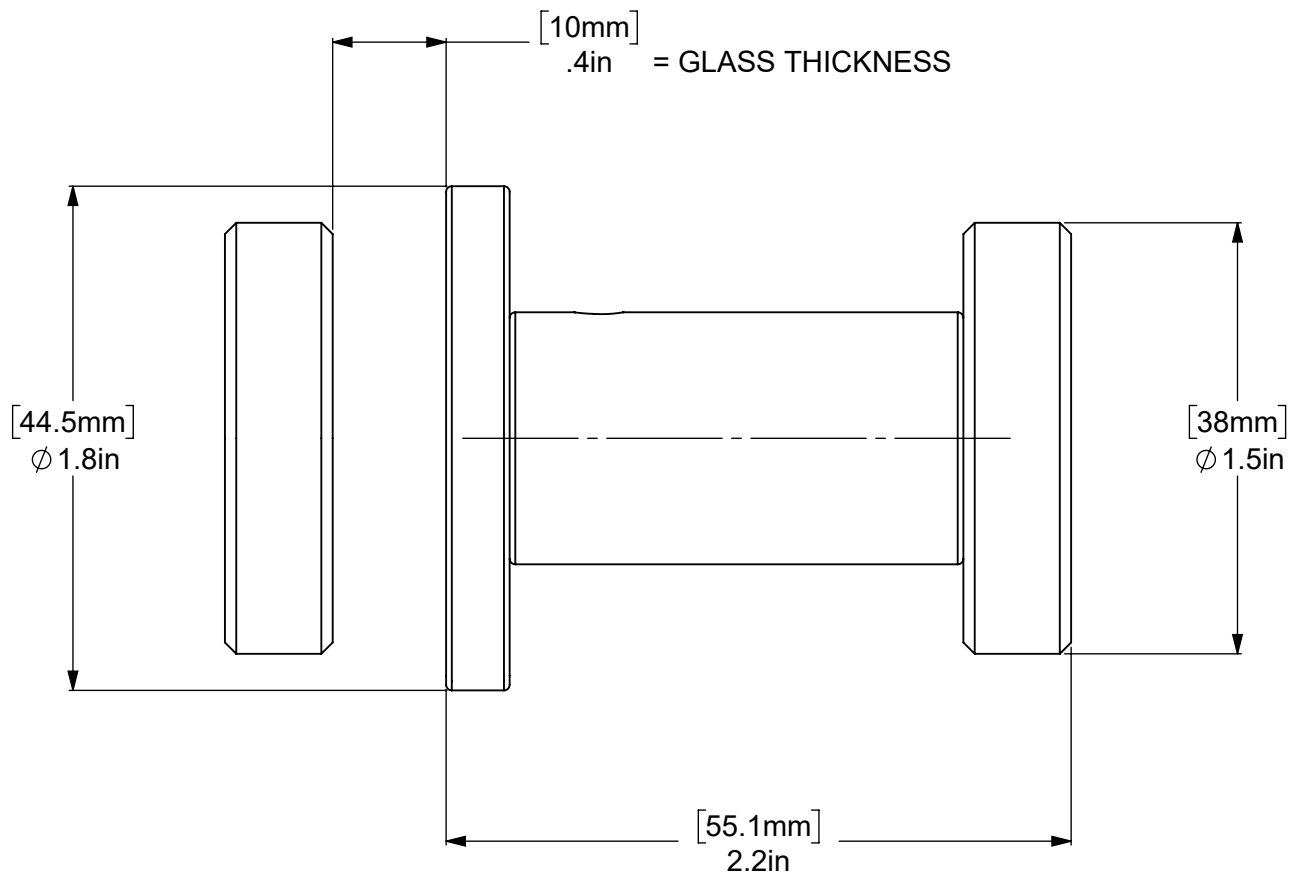
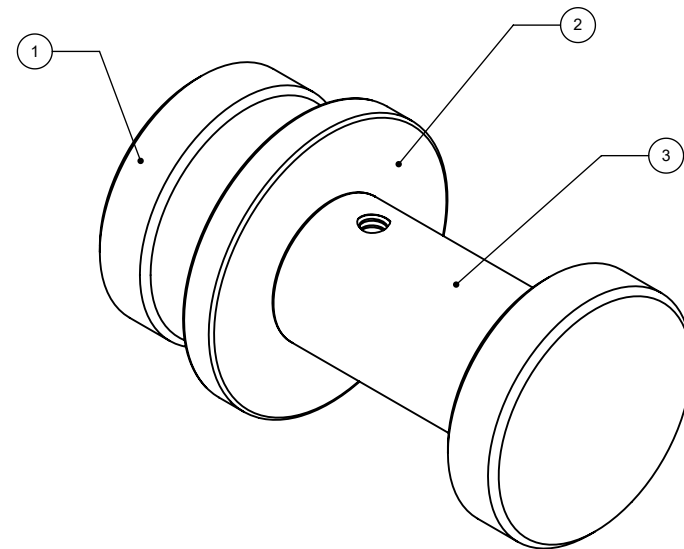


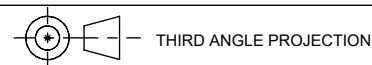
ITEM #	PART NO.	DESCRIPTION	QTY
1	FR-CAP-UN	CAP	2
2	FR-BP-UN	BACK PLATE	1
3	FR-PST-UN	POST	1



UNLESS OTHERWISE STATED

.X	±.3mm
.XX	±.15mm
.XXX	±.008mm

COPYRIGHT © Allied Brass 2022



DRAWN	5/26/2022	I.M
CHECKED	5/26/2022	R.P
APPROVED	5/26/2022	R.A

MATERIAL:	BRASS
DESCRIPTION:	FRESNO SHOWER DOOR KNOB



FINISH	TBD
QUANTITY	TBD
DRAWING No.	FR-401-SM
REV	0
SCALE	1.5:1
SHEET: 01	A4